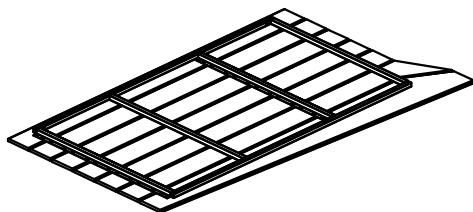
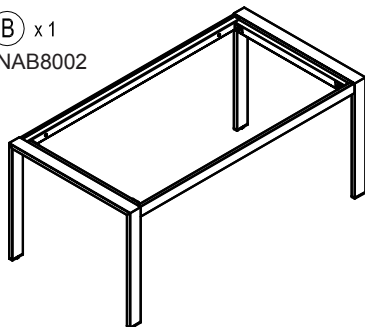


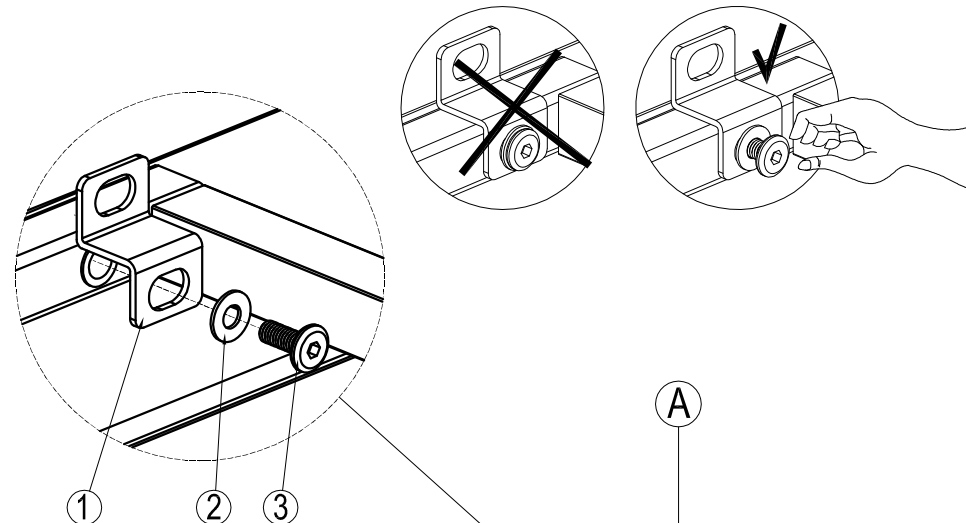
Ⓐ x1
SU-TB-AS-0523



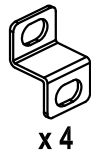
Ⓑ x1
2NAB8002



1a/2



①



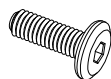
HW-ST-04-557
(37 x 25 x 22 x 12,0)

②



HW-ST-07-060
(Ø6,5 x Ø14 x 1)

③



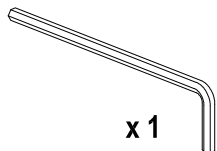
HW-ST-02-019
(6 x 15)

④



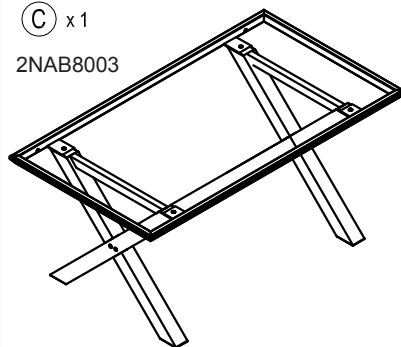
HW-PL-08-020
(Ø6 x 12)

⑤

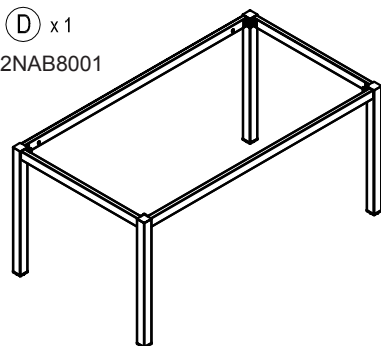


HW-ST-18-001
(4 x 98)

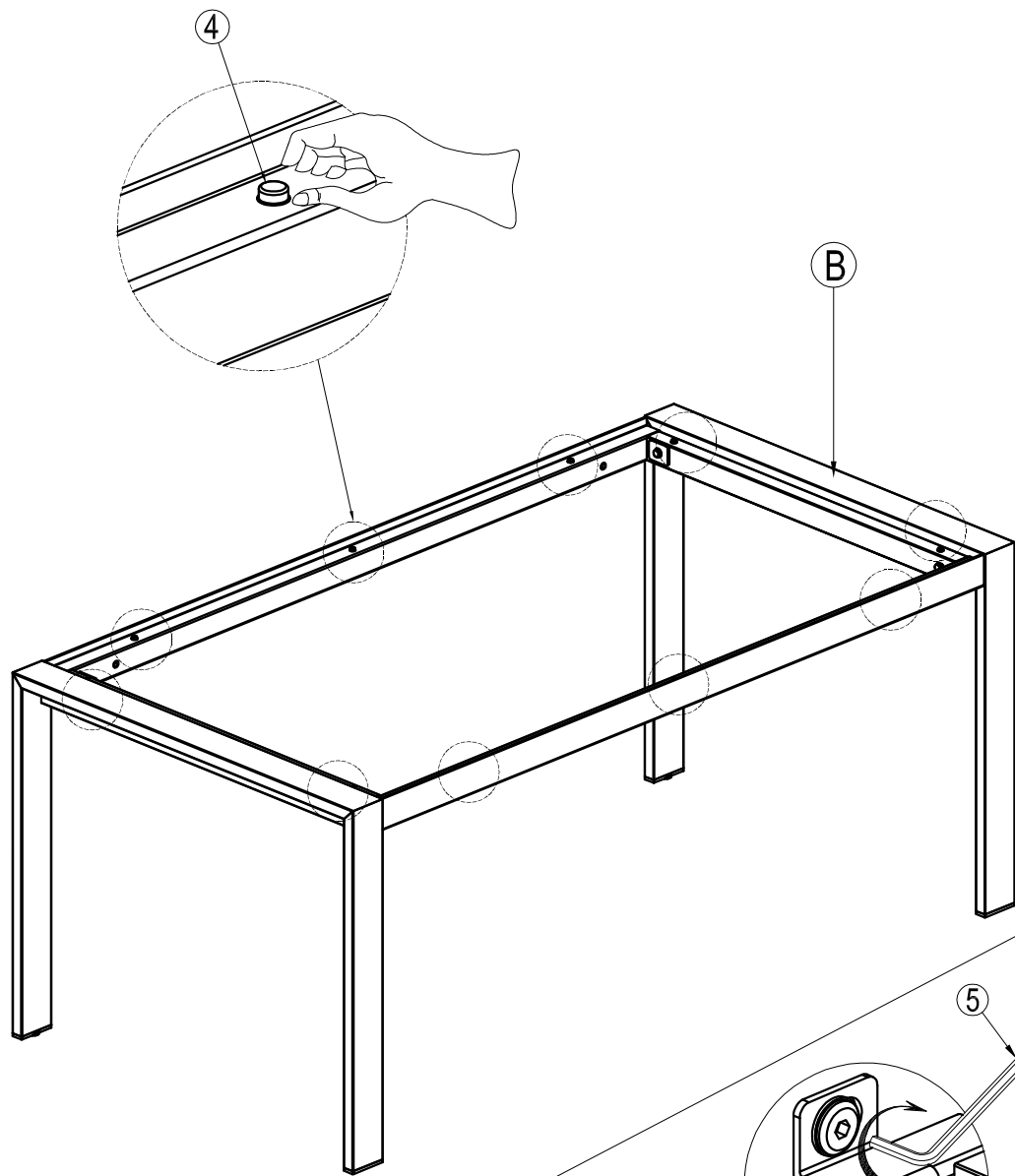
Ⓒ x1
2NAB8003



Ⓓ x1
2NAB8001



1b/2



2/2

