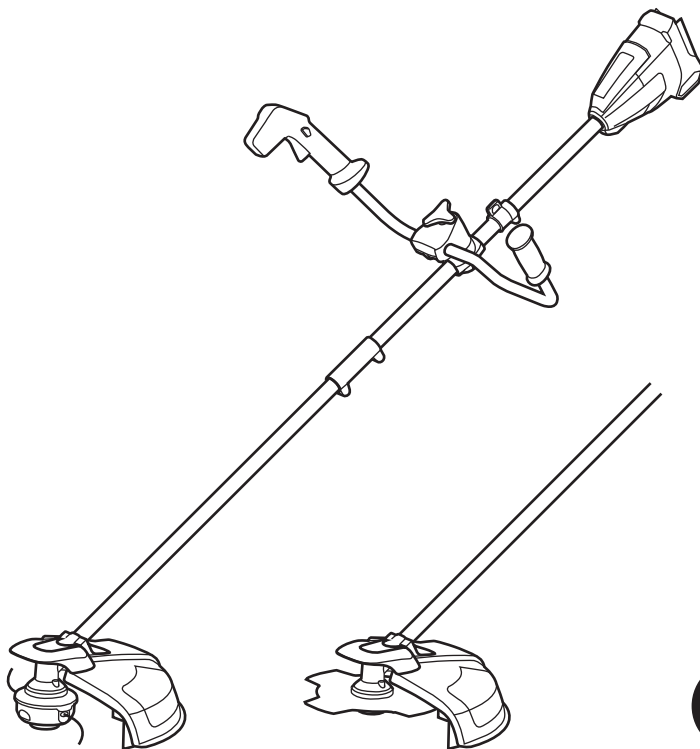


OPERATOR MANUAL / BEDIENUNGSHANDBUCH / MANUAL DEL OPERARIO /  
MANUALE DELL'OPERATORE / MANUEL OPÉRATEUR / MANUAL DE UTILIZAÇÃO /  
GEBRUIKSAANWIJZING / KÄYTTÖOPAS / ANVÄNDARHANDBOK / BRUKERVEILEDNING /  
BRUGSVEJLEDNING / INSTRUKCJA UŻYTKOWNIKA / NÁVOD K OBSLUZE / NÁVOD NA  
OBSLUHU / Uporabniški priročnik / PRIRUČNIK ZA RUKOVANJE / HASZNÁLATI  
ÚTMUTATÓ / MANUAL DE UTILIZARE / РЪКОВОДСТВО НА ОПЕРАТОРА / ΕΓΧΕΙΡΙΔΙΟ  
ΧΡΗΣΗΣ / دليل المستخدم / KULLANIM KILAVUZU / מדרריך למשתמש / OPERATORIAUS  
VADOVAS / LIETOTĀJA ROKASGRĀMATA / KASUTUSJUHEND



**STF457**

Original Instructions / Übersetzung der Originalanweisungen/ Traducción de las instrucciones originales/ Traduzione delle istruzioni originali/ Traduction des  
instructions d'origine/ Traduzido a partir das instruções originais/ Vertaling van de originele gebruiksaanwijzing/ Alkuperäisten ohjeiden käännös/  
Översättning av originalinstruktionerna/ Produsentens instruksjoner/ Oversættelse af de originale vejledninger/ Tłumaczenie oryginalnej instrukcji/  
Překlad originálního návodu/ Preklad originálneho návodu/ Prevod originalnih navodil/ Prijevod izvornih uputa/ Az eredeti utasítás fordítása/ Traducere a  
instrucțiunilor originale/ Превод на оригиналните инструкции/ Αυθεντικές οδηγίες/ ترجمة التعليمات الأصلية / Orijinal Talimatların Terçimesi/  
הוראות מקוריות / Originalios instrukcijos vertimas/ Instrukciju tulkojums no oriģinālvalodas/ Oriģinaalkasutusjuhendi tõlge



# DECLARATION OF CONFORMITY (UK)

Name and address of the manufacturer:

Name: GLOBGRO AB

Globe Group Europe

Address: Riggaregatan 53, 211 13 Malmö Sweden

Name and address of the Authorized representative:

Name: Garden Equipment Ltd

Address: First Floor, 3a Groveley Road, Christchurch, Dorset, BH23 3HB, UK

Name and address of the person authorised to compile the technical file:

Name: Simon Del-Nevo

Address: First Floor, 3a Groveley Road, Christchurch, Dorset, BH23 3HB, UK

Here with we declare that the product

Category: String Trimmer & Brush Cutter

Model: 2105707(STF457)

Serial number: See product rating label

Year of Construction: See product rating label

- is in conformity with the relevant provisions of the Supply of Machinery (Safety) Regulations 2008.
- is in conformity with the provisions of the following other UK legislation:
  - Electromagnetic Compatibility Regulations 2016
  - Noise Emission in the Environment by Equipment for use Outdoors Regulations 2001
  - The Restriction of the Use of Certain Hazardous Substances in Electrical and Electronic Equipment Regulations 2012

Furthermore, we declare that the following standard have been used:

- BS EN 60335-1, BS EN 50636-2-91, BS EN 62233, BS EN 55014-1, BS EN 55014-2, BS EN ISO 11806-1, BS EN ISO 3744, ISO 11094, BS EN 62321-3-1, BS EN 62321-4 BS EN 62321-5, BS EN 62321-6, BS EN 62321-7-1, BS EN 62321-7-2, BS EN 62321-8

Conformity assessment method to Annex E Noise Emission in the Environment by Equipment for use Outdoors Regulations 2001.

String Trimmer:

Measured sound power level 93.3 dB(A)

Guaranteed sound power level 96 dB(A)

Brush Cutter:

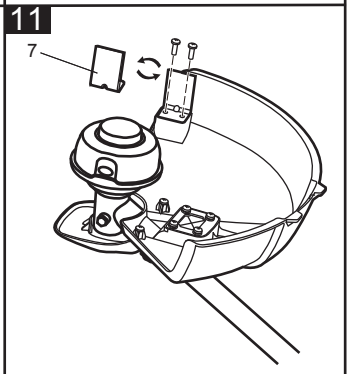
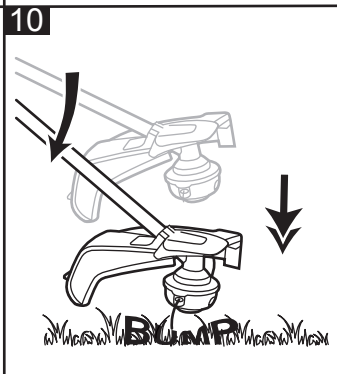
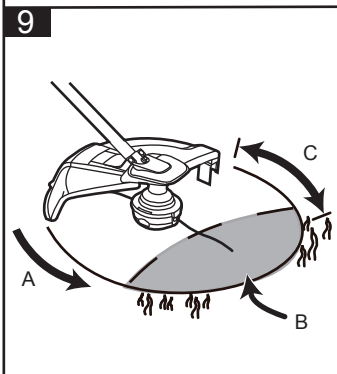
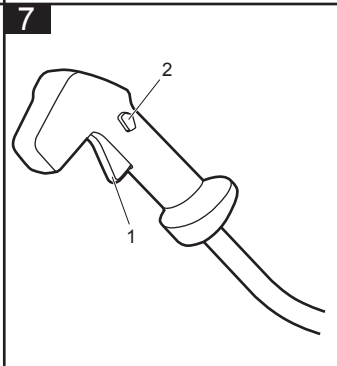
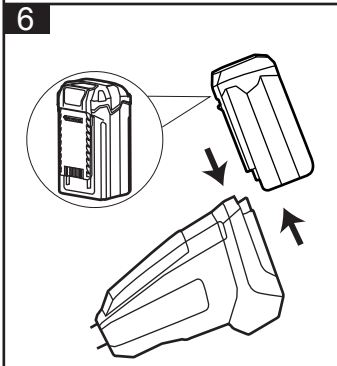
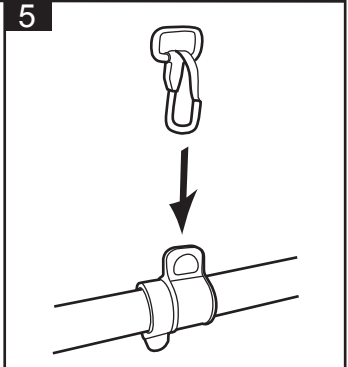
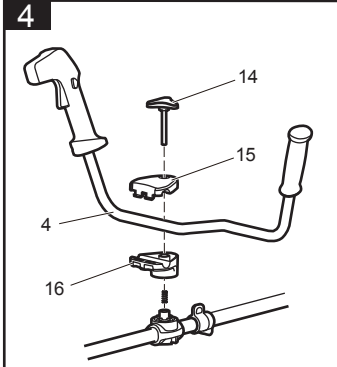
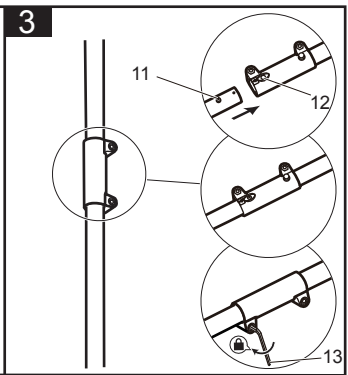
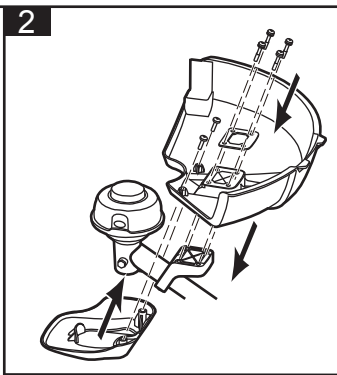
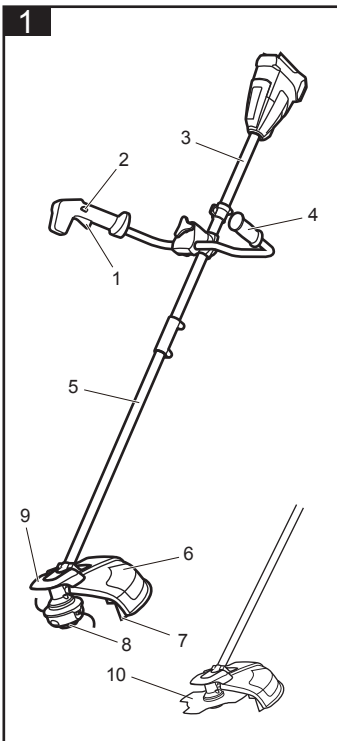
Measured sound power level 97.3 dB(A)

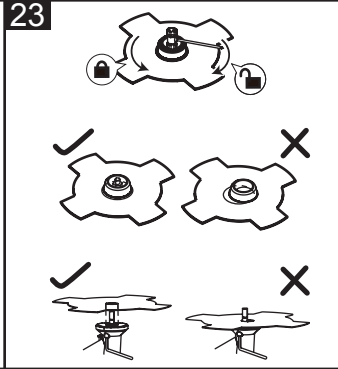
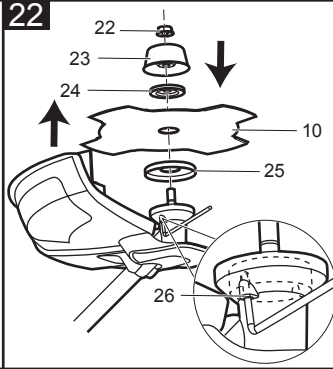
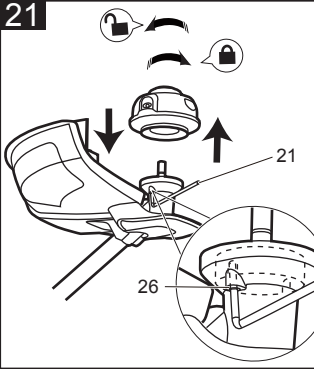
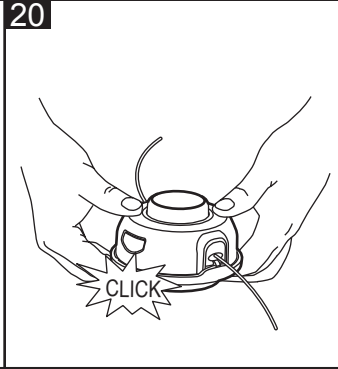
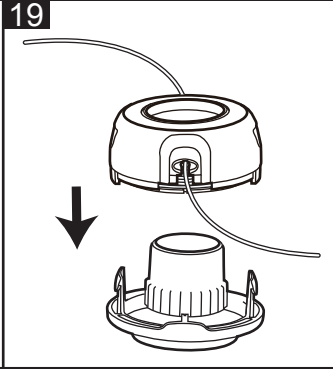
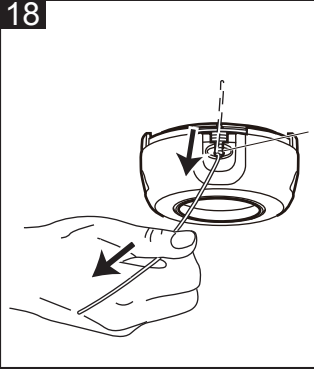
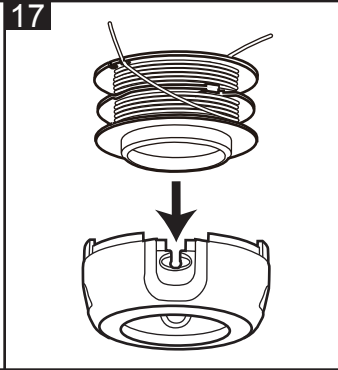
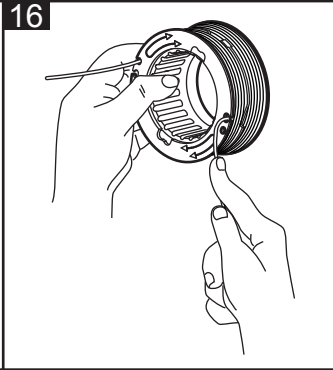
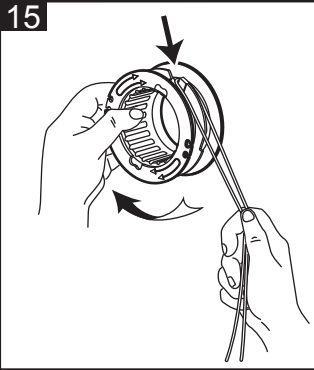
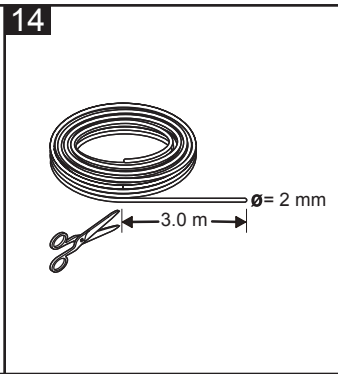
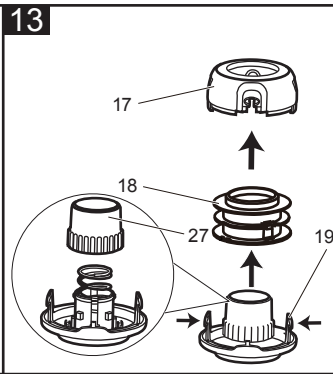
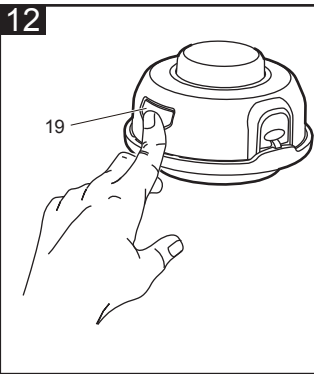
Guaranteed sound power level 101 dB(A)

Place, date: Christchurch, Dorset, UK 07.06.2021

Signature: Ted Qu, Quality Director

Ted Qu





<b>1</b>	<b>Description.....</b>	<b>4</b>	4.7	Line cut-off blade.....	6
1.1	Purpose.....	4	<b>5</b>	<b>Maintenance.....</b>	<b>6</b>
1.2	Overview.....	4	5.1	General information.....	6
<b>2</b>	<b>Safety.....</b>	<b>4</b>	5.2	Clean the machine.....	6
<b>3</b>	<b>Installation.....</b>	<b>4</b>	5.3	Replace the spool.....	6
3.1	Unpack the machine.....	4	5.4	Replace the cutting line.....	7
3.2	Attach the guard.....	4	5.5	Assemble the trimmer head.....	7
3.3	Assemble the shaft.....	5	5.6	Remove the trimmer head.....	7
3.4	Attach the auxiliary handle.....	5	5.7	Replace the bump knob.....	7
3.5	Use the shoulder strap.....	5	5.8	Assemble the brush cutter.....	7
3.6	Install the battery pack.....	5	5.9	Remove the brush cutter.....	7
3.7	Remove the battery pack.....	5	<b>6</b>	<b>Transportation and storage.....</b>	<b>8</b>
<b>4</b>	<b>Operation.....</b>	<b>5</b>	6.1	Move the machine.....	8
4.1	Start the machine.....	5	6.2	Store the machine.....	8
4.2	Stop the machine.....	5	<b>7</b>	<b>Troubleshooting.....</b>	<b>8</b>
4.3	Operation tips.....	5	<b>8</b>	<b>Technical data.....</b>	<b>9</b>
4.4	Cutting tips.....	5	<b>9</b>	<b>Warranty.....</b>	<b>9</b>
4.5	Adjust the length of the cutting line.....	6	<b>10</b>	<b>EC Declaration of conformity.....</b>	<b>9</b>
4.6	Adjust the cutting diameter.....	6			

## 1 DESCRIPTION

### 1.1 PURPOSE

This machine is used to cut grass, light weeds, and other similar vegetation at or around ground level. The cutting plane must be approximately parallel to the ground surface. You cannot use the machine to cut or chop hedges, shrubs, bushes, flowers and compost.

### 1.2 OVERVIEW

Figure 1 - 23.

- |    |                         |
|----|-------------------------|
| 1  | Trigger                 |
| 2  | Lock-out button         |
| 3  | Upper shaft             |
| 4  | Auxiliary handle        |
| 5  | Lower shaft             |
| 6  | Guard                   |
| 7  | Cut-off blade           |
| 8  | Trimmer head            |
| 9  | Guard cap               |
| 10 | Blade                   |
| 11 | Release button          |
| 12 | Positioning hole        |
| 13 | Hex wrench              |
| 14 | Central knob            |
| 15 | Cap                     |
| 16 | Lower support           |
| 17 | Spool cover             |
| 18 | Spool                   |
| 19 | Tab                     |
| 20 | Line exit hole          |
| 21 | Wrench                  |
| 22 | Nut                     |
| 23 | Outer cup               |
| 24 | Outer ring-nut          |
| 25 | Inner cup               |
| 26 | Angle transmission hole |
| 27 | Bump knob               |
| A  | Direction of rotation   |
| B  | Best cutting area       |
| C  | Dangerous cutting area  |

## 2 SAFETY

### ▲ WARNING

Make sure that you follow all safety instructions.

Refer to Safety Manual.

## 3 INSTALLATION

### ▲ WARNING

Remove the battery pack from the machine before installation.

### ▲ WARNING

Do not use accessories that are not recommended for this machine.

### 3.1 UNPACK THE MACHINE

#### ▲ WARNING

Make sure that you correctly assemble the machine before use.

#### ▲ WARNING

- If parts of the machine are damaged, do not use the machine.
- If parts are missing, do not operate the machine.
- If parts are damaged or missing, contact the service center.

1. Open the package.
2. Read the documentation provided in the box.
3. Remove all the unassembled parts from the box.
4. Remove the machine from the box.
5. Discard the box and packing material in compliance with local regulations.

#### ▲ WARNING

For your personal safety, do not insert battery before the tool is assembled completely.

### 3.2 ATTACH THE GUARD

Figure 2.

#### ▲ WARNING

Do not touch the cut-off blade.

1. Remove the screws from the trimmer head with a Phillips screwdriver (not provided).
2. Put the guard onto the trimmer head.
3. Align the screw holes on the guard with the screw holes on the trimmer head.
4. Tighten the screws.
5. Put the guard cap onto the guard.
6. Align the screw holes on the guard cap with the screw holes on the guard.
7. Tighten the screws.

### 3.3 ASSEMBLE THE SHAFT

Figure 3.

1. Loosen the screw on the coupler.
2. Push in the release button on the lower shaft.
3. Align the release button with the positioning hole and slide the two shafts.
4. Turn the lower shaft until the button locks into the positioning hole.

#### **i** NOTE

The release button must be fixed in the positioning hole. Using the wrong hole could lead to personal injury, or damage to the unit.

5. Tighten the screw with the hex wrench.

### 3.4 ATTACH THE AUXILIARY HANDLE

Figure 4.

1. Loosen the central knob.
2. Remove the cap and the lower support.

#### **i** NOTE

Do not miss the spring in the support.

3. Put the auxiliary handle in the lower support.
4. Put the cap to the lower support.
5. Put the entire block in its housing on the shaft.
6. Set the auxiliary handle in the comfortable position.
7. Lock the auxiliary handle with the central knob.

### 3.5 USE THE SHOULDER STRAP

Figure 5.

1. Attach the carabiner to the carrying ring on the pole.
2. Put on the shoulder strap.
3. Adjust the length of the strap so that the carabiner is about the width of a hand below your right hip.

### 3.6 INSTALL THE BATTERY PACK

Figure 6.

#### **▲** WARNING

- If the battery pack or charger is damaged, replace the battery pack or the charger.
- Stop the machine and wait until the motor stops before you install or remove the battery pack.
- Read, understand, and follow the instructions in the battery and charger manual.

1. Align the lift ribs on the battery pack with the grooves in the battery compartment.
2. Push the battery pack into the battery compartment until the battery pack locks into place.

3. When you hear a click, the battery pack is installed.

### 3.7 REMOVE THE BATTERY PACK

Figure 6.

1. Push and hold the battery release button.
2. Remove the battery pack from the machine.

## 4 OPERATION

#### **i** IMPORTANT

Before you operate the machine, read and understand the safety regulations and the operation instructions.

#### **▲** WARNING

Be careful when you operate the machine.

### 4.1 START THE MACHINE

Figure 7.

1. Push the lock-out button and pull the trigger.

### 4.2 STOP THE MACHINE

Figure 7.

1. Release the trigger to stop the machine.

### 4.3 OPERATION TIPS

Figure 8.

#### **▲** WARNING

Keep clearance between the body and the machine.

#### **▲** WARNING

Do not operate the machine without guard in place.

#### Follow these tips when you use the machine:

- Keep the machine connected to the correctly worn harness.
- Keep a firm hold with two hands on the machine while you operate the machine.
- Cut tall grass from the top down.

#### If grass winds around the trimmer head:

- Remove the battery pack.
- Remove the grass.

### 4.4 CUTTING TIPS

Figure 9.

- Tilt the machine towards the area to be cut. Use the tip of the cutting line to cut grass.

- Move the machine from right to left to prevent thrown debris toward the operator.
- Do not cut in dangerous areas.
- Do not force the trimmer head into uncut grass.
- Wire and picket fences cause cutting line wear and breakage. Stone and brick walls, curbs, and wood can wear the cutting line quickly.

#### 4.5 ADJUST THE LENGTH OF THE CUTTING LINE

Figure 10.

While you operate the machine, the cutting line gets worn and shorter. You can adjust the length of the cutting line.

1. Hit the trimmer head against the ground while you operate the machine.
2. Line is automatically released and the cut-off blade cuts the excess length.

#### 4.6 ADJUST THE CUTTING DIAMETER

Figure 11.

##### **i** NOTE

The machine is set at a 356 mm cutting diameter. You can adjust to a 406 mm cutting diameter.

Set the cutting diameter to 356 mm for greater runtime and 406 mm for a larger cutting area.

1. Remove the battery pack.
2. Remove the blade screws from the cut-off blade.
3. Turn the cut-off blade 180°.
4. Tighten the blade screws.

#### 4.7 LINE CUT-OFF BLADE

Figure 11.

This trimmer is equipped with a line cut-off blade on the guard. The line cut off blade continuously trims the line to advance a consistent and efficient cut diameter. Advance line whenever you hear the engine running faster than normal, or when trimming efficiency diminishes. This will maintain best performance and keep the line long enough to advance properly.

### 5 MAINTENANCE

##### **i** IMPORTANT

Read and understand the safety regulations and the maintenance instructions before you clean, repair or do the maintenance work on the machine.

##### **i** IMPORTANT

Make sure that all nuts, bolts and screws are tight. Check regularly that the handles are firmly mounted.

##### **i** IMPORTANT

Use only the replacement parts and accessories of the initial manufacturer.

#### 5.1 GENERAL INFORMATION

##### **i** IMPORTANT

Only your dealer or approved service center can do the maintenance that is not given in this manual.

Before the maintenance operations:

- Stop the machine.
- Remove the battery pack.
- Cool the motor.
- Store the machine in a cool and dry place.
- Use correct clothing, protective gloves and safety glasses.

#### 5.2 CLEAN THE MACHINE

- Clean the machine after each use with a moist cloth dipped in neutral detergent.
- Do not use aggressive detergents or solvents like "glass cleaner" to clean the plastic parts or handles.
- Keep the trimmer head free from grass, leaves, or excessive grease.
- Keep the air vents clean and free of debris to avoid overheating and damage of the motor.
- Do not spray water onto the motor and electrical components.

#### 5.3 REPLACE THE SPOOL

Figure 12 - 20.

1. Push the tabs on the sides of the trimmer head at the same time.
2. Pull and remove the spool cover.
3. Remove the remaining spool.
4. Put the spool in the spool cover.

##### **i** NOTE

Make sure that the cutting line is in the slot on the new spool, and is extended approximately 15 cm before you install the new spool.

5. Put the ends of the cutting lines through the holes.
6. Extend the cutting line to release it from the guide slot in the spool.
7. Install the spool and spool cover onto the trimmer head.



- Push the spool cover until it clicks into position.

## 5.4 REPLACE THE CUTTING LINE

Figure 14 - 16.

### **i** NOTE

Remove the remaining cutting line on the spool.

### **i** NOTE

Use only with the nylon cutting line of 2 mm diameter.

- Cut a piece of cutting line approximately 3m long.
- Bend the line at the midpoint and hook the loop into the slot in the center rim of the spool. Make sure that the line snaps into position in the slot.
- With your finger between the lines, wind the lines equally and tightly around the spool in the indicated direction.
- Put the lines in the guide slots.
- Do not wind the lines beyond the edge of the spool.

## 5.5 ASSEMBLE THE TRIMMER HEAD

Figure 21.

- Put the spacer correctly on the shaft.
- Attach the inner ring-nut to inner cup in the indicated direction.
- Make sure that the grooves of the inner ring-nut align perfectly with those of the angle transmission.
- Put the wrench in the specified angle transmission hole.
- Turn the trimmer head and push the wrench until the wrench engages the inner ring-nut hole, blocking rotation.
- Assemble the trimmer head.
- Turn the trimmer head counterclockwise to tighten it.
- Remove the wrench.

### **i** IMPORTANT

You must install the cut-off blade when you use the trimmer head.

## 5.6 REMOVE THE TRIMMER HEAD

Figure 21.

- Put the wrench in the specified angle transmission hole.
- Turn the trimmer head and push the wrench until the wrench engages the inner ring-nut hole, blocking rotation.
- Turn the trimmer head clockwise to loosen it. Do not remove the spacer from the shaft.

## 5.7 REPLACE THE BUMP KNOB

Figure 13.

- Simultaneously press the tabs on the sides of the trimmer head.
- Pull and remove the spool cover.
- Remove the spool.
- Hold the bump knob and pry it out with a metal rod (not provided).
- Put the new bump knob into the spool housing.

## 5.8 ASSEMBLE THE BRUSH CUTTER

Figure 22 - 23.

### **▲** WARNING

Wear gloves and be careful with sharp edges.

### **▲** WARNING

Apply the guard to the blade.

- Put the spacer correctly on the shaft.
- Attach the inner ring-nut to inner cup in the indicated direction.
- Make sure that the grooves of the inner ring-nut align perfectly with those of the angle transmission.
- Attach the blade and outer ring-nut with the flat part facing the blade.
- Attach the outer cup without tightening the nut.
- Put the wrench in the specified angle transmission hole.
- Turn the blade and push the wrench until the blade fits in the inner ring-nut hole, blocking rotation.
- Tighten the nut counterclockwise with a 19 mm or 3/4 in. wrench (44/58 Nm).

## 5.9 REMOVE THE BRUSH CUTTER

Figure 22 - 23.

### **▲** WARNING

Apply the guard to the blade.

- Put the wrench in the specified angle transmission hole.
- Turn the blade and push the wrench until the wrench engages the inner ring-nut hole, blocking rotation.
- Loosen the nut clockwise and remove the outer cup.
- Remove the outer ring-nut, blade, inner cup and inner ring-nut. Do not remove the spacer from the shaft.

## 6 TRANSPORTATION AND STORAGE

### 6.1 MOVE THE MACHINE

When you move the machine, you must:

- Wear gloves.
- Stop the machine.
- Remove the battery pack.
- Assemble the blade guard.

### 6.2 STORE THE MACHINE

- Remove the battery pack from the machine and charge it.
- Make sure that children cannot come near the machine.
- Keep the machine away from corrosive agents such as garden chemicals and de-icing salts.
- Secure the machine during transportation to prevent damage or injury. Clean and examine the machine for any damage.

## 7 TROUBLESHOOTING

Problem	Possible Cause	Solution
The machine does not start when the trigger is pushed.	No electrical contact between the machine and the battery pack.	1. Remove battery pack. 2. Check contact and install the battery pack again.
	The battery pack is depleted.	Charge the battery pack.
	The lock-out button and trigger are not pushed at the same time.	1. Pull the lock-out button and hold it. 2. Pull the trigger to start the machine.

Problem	Possible Cause	Solution
The machine stops when you cutting.	The guard is not attached to the machine.	Remove the battery pack and attach the guard to the machine.
	Heavy cutting line is used.	Use only with the nylon cutting line of 2 mm diameter.
	The grass winds around the motor shaft or the trimmer head.	1. Stop the machine. 2. Remove the battery pack. 3. Remove the grass from the motor shaft and trimmer head.
The motor is overloaded.	The motor is overloaded.	1. Remove the trimmer head from the grass. 2. The motor will recover to work as soon as the load is removed. 3. When you cut, move the trimmer head in and out of the grass to be cut and remove no more than 20 cm in pass.
	The battery pack or machine is too hot.	1. Cool the battery pack until its function returns to normal. 2. Cool the machine for approximately 10 minutes.
	The battery pack is disconnected from the tool.	Install the battery pack again.
The line does not extend.	The battery pack is depleted.	Charge the battery pack.
	Lines are welded to themselves.	Lubricate with silicone spray.
	Not enough line on the spool.	Install more line.
	Lines are worn and too short.	Extend the line.
The line does not extend.	Lines are tangled on the spool.	1. Remove the lines from the spool. 2. Wind the lines.

Problem	Possible Cause	Solution
The line keeps breaking.	The machine is used incorrectly.	1. Cut with the tip of the line, avoid stones, walls and other hard objects. 2. Advance the cutting line regularly to keep full cutting width.
The grass winds around the trimmer head and motor housing.	Cut tall grass at ground level.	1. Cut tall grass from the top down. 2. Remove no more than 20 cm in each pass to prevent wrapping.
The line does not cut well.	The cut-off blade becomes dull.	Sharpen the cut-off blade with a file or replace it.
Vibration increases obviously.	The line is worn down at one side and not extended in time.	Make sure that the line on both sides is equal. Extend the line.

## 8 TECHNICAL DATA

Voltage	40 V	
No load speed	6300 $\pm$ 10%min <sup>-1</sup> (Grass trimmer), 6800 $\pm$ 10%min <sup>-1</sup> (Brush cutter)	
Cutting head	Bump feed / Brush cutter blade	
Cutting line diameter	2 mm	
Cutting path diameter	356/406mm (Grass trimmer), 254mm (Brush cutter)	
Weight (without battery pack)	4.5 kg	
Battery model	G40B2/G40B25/G40B4 and other BAF series	
Charger model	G40C and other CAF series	
Grass trimmer	Measured sound pressure level	L <sub>PA</sub> =78.4 dB(A), K <sub>pA</sub> = 3 dB(A)
	Guaranteed sound power level	L <sub>WA,d</sub> = 96 dB(A)
	Vibration	<2.5 m/s <sup>2</sup> , k=1.5 m/s <sup>2</sup>

Brush cutter	Measured sound pressure level	L <sub>PA</sub> =82.8dB(A), K= 3 dB(A)
	Guaranteed sound power level	L <sub>WA,d</sub> =101 dB(A)
	Vibration	<2.5 m/s <sup>2</sup> , k=1.5 m/s <sup>2</sup>



96 dB. Noise value. (Grass trimmer)

101 dB. Noise value. (Brush cutter)

## 9 WARRANTY

(The full warranty terms and conditions can be found on Greenworks website [www.greenworkstools.eu](http://www.greenworkstools.eu))

The Greenworks warranty is 3 years on the product, and 2 years on batteries (consumer/private usage) from the date of purchase. This warranty covers manufacturing faults. A faulty product under warranty might be either repaired or replaced. A unit that has been misused or used in other ways than described in the owner's manual might be rejected for warranty. Normal wear, and wear parts are not considered as warranty. The original manufacturer warranty is not affected by any additional warranty offered by a dealer or retailer.

A faulty product must be returned to the point of purchase in order to claim for warranty, together with the proof of purchase (receipt).

## 10 EC DECLARATION OF CONFORMITY

Name and address of the manufacturer:

Name: GLOBGRO AB

Globe Group Europe

Address: Riggaregatan 53, 211 13 Malmö, Sweden

Name and address of the person authorised to compile the technical file:

Name: Micael Johansson

Address: Riggaregatan 53, 211 13 Malmö, Sweden

Herewith we declare that the product

Category: String trimmer / Brush cutter

Model: 2105707(STF457)

Serial number: See product rating label  
 Year of Construction: See product rating label

- is in conformity with the relevant provisions of the Machinery Directive 2006/42/EC.
- is in conformity with the provisions of the following other EC-Directives:
  - 2014/30/EU
  - 2000/14/EC & 2005/88/EC
  - 2011/65/EU & (EU)2015/863

Furthermore, we declare that the following parts, clauses of harmonised standards have been used:

- EN 60335-1; EN 50636-2-91; EN 62233; EN 55014-1; EN 55014-2 ; EN ISO 3744; EN ISO 3744; ISO 11094; EN ISO 11806-1; IEC 62321-7-2; IEC 62321-4; IEC 62321-5; IEC 62321-6; IEC 62321-7-1; IEC 62321-8; IEC 62321-3-1.

Conformity assessment method to Annex VI / Directive 2000/14/EC.

String trimmer

Measured sound power level:  $L_{WA}$  : 93.3 dB(A)

Guaranteed sound power level:  $L_{WA,d}$  : 96 dB(A)

Brush cutter

Measured sound power level:  $L_{WA}$  : 97.3 dB(A)

Guaranteed sound power level:  $L_{WA,d}$  : 101 dB(A)

Place, date: Signature: Ted Qu, Quality Director

Malmö, 7.28.2021

Ted Qu

<b>1</b>	<b>Beschreibung.....</b>	<b>12</b>	4.7	Fadenmesser.....	14
1.1	Verwendungszweck.....	12	<b>5</b>	<b>Wartung und Instandhaltung....</b>	<b>14</b>
1.2	Übersicht.....	12	5.1	Allgemeine Informationen.....	14
<b>2</b>	<b>Sicherheit.....</b>	<b>12</b>	5.2	Maschine reinigen.....	15
<b>3</b>	<b>Montage.....</b>	<b>12</b>	5.3	Spule ersetzen.....	15
3.1	Maschine auspacken.....	12	5.4	Schneidfaden ersetzen.....	15
3.2	Schutzabdeckung befestigen.....	12	5.5	Montieren des Schneidkopfs.....	15
3.3	Montieren des Schafts.....	13	5.6	Entfernen des Schneidekopfs.....	15
3.4	Zusatzgriff befestigen.....	13	5.7	Ersetzen des Stoßknopfs.....	16
3.5	Verwenden des Schultergurts.....	13	5.8	Montieren der Sense.....	16
3.6	Akkupack einsetzen.....	13	5.9	Entfernen der Sense.....	16
3.7	Akkupack entfernen.....	13	<b>6</b>	<b>Transport und Lagerung.....</b>	<b>16</b>
<b>4</b>	<b>Bedienung.....</b>	<b>13</b>	6.1	Bewegen der Maschine.....	16
4.1	Maschine starten.....	13	6.2	Maschine lagern.....	16
4.2	Maschine anhalten.....	13	<b>7</b>	<b>Fehlerbehebung.....</b>	<b>16</b>
4.3	Tipps zur Bedienung.....	13	<b>8</b>	<b>Technische Daten.....</b>	<b>17</b>
4.4	Schneidetipps.....	14	<b>9</b>	<b>Garantie.....</b>	<b>18</b>
4.5	Länge des Schneidfadens einstellen.....	14	<b>10</b>	<b>EG-Konformitätserklärung.....</b>	<b>18</b>
4.6	Schnittdurchmesser einstellen.....	14			

## 1 BESCHREIBUNG

### 1.1 VERWENDUNGSZWECK

Diese Maschine wird zum Mähen von Gras, leichtem Unkraut und anderer ähnlicher Vegetation in Bodennähe eingesetzt. Die Schneidebene muss etwa parallel zum Boden liegen. Sie können mit der Maschine keine Hecken, Sträucher, Büsche, Blumen oder Kompost schneiden oder zerkleinern.

### 1.2 ÜBERSICHT

Abbildung 1 - 23.

- 1 Auslöser
- 2 Sperrtaste
- 3 Oberer Schaft
- 4 Zusatzgriff
- 5 Unterer Schaft
- 6 Schutzabdeckung
- 7 Fadenmesser
- 8 Schneidkopf
- 9 Schutzkappe
- 10 Messer
- 11 Entriegelungstaste
- 12 Positionierungsbohrung
- 13 Innensechskantschlüssel
- 14 Mittlerer Knauf
- 15 Abdeckung
- 16 Untere Halterung
- 17 Fadenkopfabdeckung
- 18 Fadenkopf
- 19 Lasche
- 20 Fadenloch
- 21 Schraubenschlüssel
- 22 Mutter
- 23 Äußere Abdeckung
- 24 Äußere Ringmutter
- 25 Innere Abdeckung
- 26 Winkelübertragungsbohrung
- 27 Stoßknopf
- A Drehrichtung
- B Bester Schneidebereich
- C Gefährlicher Schneidebereich

## 2 SICHERHEIT

### ▲ WARNUNG

Stellen Sie sicher, dass Sie alle Sicherheitshinweise befolgen.

Siehe Sicherheitshandbuch.

## 3 MONTAGE

### ▲ WARNUNG

Nehmen Sie den Akkupack vor der Installation aus der Maschine.

### ▲ WARNUNG

Verwenden Sie kein Zubehör, das nicht für diese Maschine empfohlen wird.

### 3.1 MASCHINE AUSPACKEN

#### ▲ WARNUNG

Vergewissern Sie sich, dass Sie die Maschine vor dem Gebrauch richtig montiert haben.

#### ▲ WARNUNG

- Bei beschädigten Maschinenteilen dürfen Sie die Maschine nicht verwenden.
- Bei fehlenden Teilen dürfen Sie die Maschine nicht verwenden.
- Wenn Teile beschädigt sind oder fehlen, wenden Sie sich an die Servicestelle.

1. Öffnen Sie die Verpackung.
2. Lesen Sie die beiliegende Dokumentation.
3. Entnehmen Sie alle unmontierten Teile aus dem Karton.
4. Nehmen Sie die Maschine aus dem Karton.
5. Entsorgen Sie den Karton und das Verpackungsmaterial gemäß den örtlichen Vorschriften.

#### ▲ WARNUNG

Zu Ihrer eigenen Sicherheit dürfen Sie den Akkupack nicht einsetzen, bevor das Werkzeug vollständig zusammengebaut ist.

### 3.2 SCHUTZABDECKUNG BEFESTIGEN

Abbildung 2.

#### ▲ WARNUNG

Berühren Sie nicht das Fadenmesser.

1. Entfernen Sie die Schrauben vom Schneidkopf mit einem Kreuzschlitzschraubendreher (nicht mitgeliefert).
2. Bringen Sie die Schutzabdeckung auf dem Schneidkopf an.
3. Richten Sie die Schraubenlöcher an der Schutzabdeckung mit den Schraubenlöchern am Schneidkopf aus.

4. Ziehen Sie die Schrauben an.
5. Setzen Sie die Schutzkappe auf die Schutzabdeckung.
6. Richten Sie die Schraubenlöcher an der Schutzkappe mit den Schraubenlöchern an der Schutzabdeckung aus.
7. Ziehen Sie die Schrauben an.

### 3.3 MONTIEREN DES SCHAFTS

Abbildung 3.

1. Lösen Sie die Schraube am Verbindungsstück.
2. Drücken Sie die Entriegelungstaste am unteren Schaft.
3. Richten Sie die Entriegelungstaste mit der Positionierungsbohrung aus und verschieben Sie die beiden Schafteile.
4. Drehen Sie den unteren Schaft, bis die Taste in der Positionierungsbohrung einrastet.

#### **i HINWEIS**

Die Entriegelungstaste muss in der Positionierungsbohrung befestigt werden. Die Verwendung einer falschen Bohrung kann zu Verletzungen oder Schäden an der Einheit führen.

5. Ziehen Sie die Schraube mit dem Innensechskantschlüssel an.

### 3.4 ZUSATZGRIFF BEFESTIGEN

Abbildung 4.

1. Lösen Sie den mittleren Knauf.
2. Entfernen Sie die Kappe und die untere Halterung.

#### **i HINWEIS**

Vergessen Sie nicht die Feder in der Halterung.

3. Den Zusatzgriff in die untere Halterung stecken.
4. Setzen Sie die Kappe auf die untere Halterung.
5. Legen Sie den gesamten Block in sein Gehäuse auf die Welle.
6. Stellen Sie den Zusatzgriff in die bequeme Position.
7. Den Zusatzgriff mit dem mittleren Knauf verriegeln.

### 3.5 VERWENDEN DES SCHULTERGURTS

Abbildung 5.

1. Befestigen Sie den Karabinerhaken am Tragering am Stab.
2. Legen Sie den Schultergurt an.
3. Stellen Sie die Länge des Gurts so ein, dass der Karabinerhaken etwa die Breite einer Hand unter der rechten Hüfte hat.

### 3.6 AKKUPACK EINSETZEN

Abbildung 6.

#### **▲ WARNUNG**

- Wenn der Akkupack oder das Ladegerät beschädigt ist, ersetzen Sie den Akkupack oder das Ladegerät.
- Stoppen Sie die Maschine und warten Sie, bis der Motor stoppt, bevor Sie den Akkupack einsetzen oder entnehmen.
- Lesen, verstehen und befolgen Sie die Anweisungen im Handbuch für Akkupack und Ladegerät.

1. Richten Sie die Hubrippen am Akkupack mit den Nuten im Akkufach aus.
2. Schieben Sie den Akkupack in das Akkufach, bis er einrastet.
3. Wenn Sie ein Klicken hören, ist der Akkupack eingesetzt.

### 3.7 AKKUPACK ENTFERNEN

Abbildung 6.

1. Drücken und halten Sie die Akkupack-Entriegelungstaste.
2. Nehmen Sie den Akkupack aus der Maschine.

## 4 BEDIENUNG

#### **i WICHTIG**

Bevor Sie die Maschine in Betrieb nehmen, lesen und verstehen Sie die Sicherheitsvorschriften und die Bedienungsanleitung.

#### **▲ WARNUNG**

Seien Sie vorsichtig, wenn Sie die Maschine bedienen.

### 4.1 MASCHINE STARTEN

Abbildung 7.

1. Drücken Sie die Sperrtaste und betätigen Sie den Auslöser.

### 4.2 MASCHINE ANHALTEN

Abbildung 7.

1. Lassen Sie den Auslöser los, um die Maschine anzuhalten.

### 4.3 TIPPS ZUR BEDIENUNG

Abbildung 8.

## ▲ WARNUNG

Halten Sie Abstand zwischen Körper und Maschine.

## ▲ WARNUNG

Betreiben Sie die Maschine nicht ohne Schutzabdeckung.

**Führen Sie diese Tipps aus, wenn Sie das Gerät benutzen**

- Halten Sie die Maschine mit dem korrekt verbundenen Haltegurt.
- Halten Sie die Maschine mit den beiden Händen gut fest, während Sie die Maschine bedienen.
- Schneiden Sie hohes Gras von oben nach unten.

**Wenn sich Gras um den Schneidkopf windet:**

- Entfernen Sie den Akkupack.
- Entfernen Sie das Gras.

## 4.4 SCHNEIDETIPPS

*Abbildung 9.*

- Neigen Sie die Maschine in Richtung des zu schneidenden Bereichs. Verwenden Sie die Spitze des Schneidfadens, um Gras zu schneiden.
- Bewegen Sie die Maschine von rechts nach links, um zu verhindern, dass Fremdkörper in Richtung Bediener geschleudert werden.
- Nicht in gefährlichen Bereichen schneiden.
- Den Schneidkopf nicht in ungeschnittenes Gras drücken.
- Draht- und Lattenzaun verursachen Verschleiß und Bruch des Schneidfadens. Stein- und Ziegelwände, Bordsteine und Holz können den Schneidfaden schnell abnutzen.

## 4.5 LÄNGE DES SCHNEIDFADENS EINSTELLEN

*Abbildung 10.*

Während Sie die Maschine bedienen, wird der Schneidfaden abgenutzt und kürzer. Sie können die Länge des Schneidfadens einstellen.

1. Schlagen Sie den Schneidkopf gegen den Boden, während Sie die Maschine bedienen.
2. Der Faden wird automatisch freigegeben und das Fadenmesser schneidet die Überlänge ab.

## 4.6 SCHNITTDURCHMESSER EINSTELLEN

*Abbildung 11.*

## i HINWEIS

Die Maschine ist auf einen 356 mm Schnittdurchmesser eingestellt. Sie können auf einen 406 mm Schnittdurchmesser einstellen.

Stellen Sie den Schnittdurchmesser auf 356 mm für eine größere Laufzeit und 406 mm für einen größeren Schnittbereich ein.

1. Entfernen Sie den Akkupack.
2. Entfernen Sie die Messerschrauben vom Fadenmesser.
3. Drehen Sie das Fadenmesser um 180°.
4. Ziehen Sie die Messerschrauben an.

## 4.7 FADENMESSER

*Abbildung 11.*

Dieser Trimmer ist mit einem Fadenmesser an der Schutzabdeckung ausgestattet. Das Fadenmesser schneidet den Faden kontinuierlich ab, um einen gleichmäßigen und effizienten Schnittdurchmesser zu gewährleisten. Den Faden vorschieben, sobald akustisch vernehmbar ist, dass der Motor schneller als normal läuft, oder wenn der Trimmwirkungsgrad sinkt. So erhalten Sie die beste Leistung und der Faden ist dabei lang genug, um angemessen vorwärts zu kommen.

## 5 WARTUNG UND INSTANDHALTUNG

### i WICHTIG

Lesen und verstehen Sie die Sicherheitsvorschriften und die Wartungsanweisungen, bevor Sie die Maschine reinigen, reparieren oder die Wartungsarbeiten durchführen.

### i WICHTIG

Achten Sie darauf, dass alle Muttern, Schrauben und Bolzen fest angezogen sind. Prüfen Sie regelmäßig, ob die Griffe fest montiert sind.

### i WICHTIG

Verwenden Sie nur die Ersatz- und Zubehörteile des Herstellers.

## 5.1 ALLGEMEINE INFORMATIONEN

### i WICHTIG

Nur Ihr Händler oder eine zugelassene Servicestelle kann die Wartung durchführen, die nicht in diesem Handbuch beschrieben ist.

Vor den Wartungsarbeiten:



- Stoppen Sie die Maschine.
- Entfernen Sie den Akkupack.
- Lassen Sie den Motor abkühlen.
- Lagern Sie die Maschine kühl und trocken.
- Korrekte Kleidung, Schutzhandschuhe und Schutzbrille tragen.

## 5.2 MASCHINE REINIGEN

- Reinigen Sie die Maschine nach jedem Gebrauch mit einem feuchten Tuch, das mit neutralem Reinigungsmittel befeuchtet ist.
- Verwenden Sie keine aggressiven Reinigungs- oder Lösungsmittel wie "Glasreiniger" zur Reinigung der Kunststoffteile oder Griffe.
- Halten Sie den Schneidkopf frei von Gras, Laub oder übermäßigem Fett.
- Halten Sie die Belüftungsöffnungen sauber und frei von Schmutz, um Überhitzung und Schäden am Motor zu vermeiden.
- Sprühen Sie kein Wasser auf den Motor und die elektrischen Komponenten.

## 5.3 SPULE ERSETZEN

Abbildung 12 - 20.

1. Drücken Sie die Laschen an den Seiten des Schneidkopfes gleichzeitig.
2. Ziehen und entfernen Sie die Spulenabdeckung.
3. Entfernen Sie die restliche Spule.
4. Legen Sie die Spule in die Spulenabdeckung.

### i HINWEIS

Achten Sie darauf, dass sich der Schneidfaden in der Nut auf der neuen Spule befindet und ca. 15 cm verlängert wird, bevor Sie die neue Spule montieren.

5. Stecken Sie die Enden des Schneidfadens durch die Löcher.
6. Verlängern Sie den Schneidfaden, um ihn von den Führungsschlitzen in der Spule zu lösen.
7. Montieren Sie die Spule und die Spulenabdeckung auf dem Schneidkopf.
8. Drücken Sie die Spulenabdeckung, bis sie einrastet.

## 5.4 SCHNEIDFADEN ERSETZEN

Abbildung 14 - 16.

### i HINWEIS

Entfernen Sie den verbliebenen Schneidfaden von der Spule.

### i HINWEIS

Nur mit dem Nylonschneidfaden mit einem Durchmesser von 2 mm verwenden.

1. Schneiden Sie ein Stück Schneidfaden von ca. 3 m Länge ab.
2. Biegen Sie den Faden in der Mitte und haken Sie die Schlaufe in den Schlitz am mittleren Rand der Spule ein. Achten Sie darauf, dass der Faden in der Nut einrastet.
3. Wickeln Sie die Fäden mit dem Finger zwischen den Fäden gleichmäßig und fest in der angegebenen Richtung um die Spule.
4. Legen Sie die Fäden in die Führungsschlitze.
5. Wickeln Sie die Fäden nicht über den Rand der Spule hinaus.

## 5.5 MONTIEREN DES SCHNEIDKOPFS

Abbildung 21.

1. Setzen Sie das Distanzstück richtig auf die Welle.
2. Befestigen Sie die innere Ringmutter an der inneren Abdeckung in der angegebenen Richtung.
3. Achten Sie darauf, dass die Nuten der inneren Ringmutter perfekt mit denen der Winkelübertragung übereinstimmen.
4. Stecken Sie den Schraubenschlüssel in die angegebene Winkelübertragungsbohrung.
5. Drehen Sie den Schneidkopf und drücken Sie den Schraubenschlüssel ein, bis der Schraubenschlüssel in die innere Ringmutterbohrung eingreift und die Drehung blockiert.
6. Montieren Sie den Schneidkopf.
7. Drehen Sie den Schneidkopf gegen den Uhrzeigersinn, um ihn festzuziehen.
8. Entfernen Sie den Schraubenschlüssel.

### i WICHTIG

Sie müssen das Fadenmesser montieren, wenn Sie den Schneidkopf verwenden.

## 5.6 ENTFERNEN DES SCHNEIDEKOPFS

Abbildung 21.

1. Stecken Sie den Schraubenschlüssel in die angegebene Winkelübertragungsbohrung.
2. Drehen Sie den Schneidkopf und drücken Sie den Schraubenschlüssel ein, bis der Schraubenschlüssel in die innere Ringmutterbohrung eingreift und die Drehung blockiert.
3. Drehen Sie den Schneidkopf im Uhrzeigersinn, um ihn zu lösen. Entfernen Sie nicht das Distanzstück von der Welle.

## 5.7 ERSETZEN DES STOßKNOPFS

Abbildung 13.

1. Drücken Sie die Laschen an den Seiten des Schneidkopfes gleichzeitig.
2. Ziehen und entfernen Sie die Spulenabdeckung.
3. Entfernen Sie die Spule.
4. Halten Sie den Stoßknopf fest und heben Sie ihn mit einer Metallstange (nicht mitgeliefert) heraus.
5. Setzen Sie den neuen Stoßknopf in das Spulengehäuse ein.

## 5.8 MONTIEREN DER SENSE

Abbildung 22 - 23.

### ▲ WARNUNG

Tragen Sie Handschuhe und seien Sie vorsichtig mit scharfen Kanten.

### ▲ WARNUNG

Bringen Sie den Schutz am Messer an.

1. Setzen Sie das Distanzstück richtig auf die Welle.
2. Befestigen Sie die innere Ringmutter an der inneren Abdeckung in der angegebenen Richtung.
3. Achten Sie darauf, dass die Nuten der inneren Ringmutter perfekt mit denen der Winkelübertragung übereinstimmen.
4. Befestigen Sie das Messer und die äußere Ringmutter mit dem flachen Teil zum Messer hin.
5. Befestigen Sie die äußere Abdeckung, ohne die Mutter anzuziehen.
6. Stecken Sie den Schraubenschlüssel in die angegebene Winkelübertragungsbohrung.
7. Drehen Sie das Messer und drücken Sie den Schraubenschlüssel ein, bis das Messer in die innere Ringmutterbohrung passt und die Drehung blockiert.
8. Ziehen Sie die Mutter mit einem 19 mm oder 3/4" Schraubenschlüssel gegen den Uhrzeigersinn an (44/58 Nm).

## 5.9 ENTFERNEN DER SENSE

Abbildung 22 - 23.

### ▲ WARNUNG

Bringen Sie den Schutz am Messer an.

1. Stecken Sie den Schraubenschlüssel in die angegebene Winkelübertragungsbohrung.

2. Trennen Sie das Messer und drücken Sie den Schraubenschlüssel ein, bis der Schraubenschlüssel in die innere Ringmutterbohrung eingreift und die Drehung blockiert.
3. Lösen Sie die Mutter im Uhrzeigersinn und entfernen Sie die äußere Abdeckung.
4. Entfernen Sie die äußere Ringmutter, das Messer, die inneren Abdeckung und die innere Ringmutter. Entfernen Sie nicht das Distanzstück von der Welle.

## 6 TRANSPORT UND LAGERUNG

### 6.1 BEWEGEN DER MASCHINE

Wenn Sie die Maschine bewegen, müssen Sie Folgendes tun:

- Tragen Sie Handschuhe.
- Stoppen Sie die Maschine.
- Akkupack entfernen.
- Montieren Sie den Messerschutz.

### 6.2 MASCHINE LAGERN

- Nehmen Sie den Akkupack aus der Maschine und laden Sie ihn auf.
- Stellen Sie sicher, dass Kinder nicht in die Nähe der Maschine kommen können.
- Halten Sie die Maschine von aggressiven Mitteln wie Gartenchemikalien und Streusalzen fern.
- Sichern Sie die Maschine während des Transports, um Schäden oder Verletzungen zu vermeiden. Reinigen und prüfen Sie die Maschine auf Beschädigungen.

## 7 FEHLERBEHEBUNG

Problem	Mögliche Ursache	Lösung
Die Maschine startet nicht, wenn der Auslöser gedrückt wird.	Kein elektrischer Kontakt zwischen der Maschine und dem Akkupack.	1. Entfernen Sie den Akkupack. 2. Überprüfen Sie den Kontakt und setzen Sie den Akkupack wieder ein.
	Der Akkupack ist leer.	Laden Sie den Akkupack auf.
	Die Sperrtaste und der Auslöser werden nicht gleichzeitig gedrückt.	1. Ziehen Sie die Sperrtaste und halten Sie sie gedrückt. 2. Ziehen Sie den Auslöser, um die Maschine zu starten.

Problem	Mögliche Ursache	Lösung
Die Maschine stoppt, wenn Sie schneiden.	Die Schutzabdeckung ist nicht an der Maschine befestigt.	Entfernen Sie den Akkupack und befestigen Sie die Schutzabdeckung an der Maschine.
	Es wird ein schwerer Schneidfaden verwendet.	Nur mit dem Nylonschneidfaden mit einem Durchmesser von 2 mm verwenden.
	Das Gras wickelt sich um die Motorwelle oder den Schneidkopf.	<ol style="list-style-type: none"> <li>1. Stoppen Sie die Maschine.</li> <li>2. Entfernen Sie den Akkupack.</li> <li>3. Entfernen Sie das Gras von der Motorwelle und dem Schneidkopf.</li> </ol>
	Der Motor ist überlastet.	<ol style="list-style-type: none"> <li>1. Befreien Sie den Schneidkopf vom Gras.</li> <li>2. Der Motor wird sich wieder in Betrieb setzen, sobald die Last entfernt wird.</li> <li>3. Wenn Sie schneiden, bewegen Sie den Schneidkopf in das und aus dem zu mähenden Gras und entfernen Sie nicht mehr als 20 cm beim Durchgang.</li> </ol>
	Der Akkupack oder die Maschine ist zu heiß.	<ol style="list-style-type: none"> <li>1. Lassen Sie den Akkupack abkühlen, bis seine Funktion wieder normal ist.</li> <li>2. Lassen Sie die Maschine ca. 10 Minuten lang abkühlen.</li> </ol>
	Der Akkupack ist vom Werkzeug getrennt.	Setzen Sie den Akkupack wieder ein.
	Der Akkupack ist leer.	Laden Sie den Akkupack auf.

Problem	Mögliche Ursache	Lösung
Der Faden wird nicht verlängert.	Die Fäden sind mit sich selbst verschweißt.	Mit Silikonsspray schmieren.
	Nicht genügend Faden auf der Spule.	Installieren Sie mehr Faden.
	Die Fäden sind verschlissen und zu kurz.	Verlängern Sie den Faden.
	Die Fäden sind auf der Spule verheddert.	<ol style="list-style-type: none"> <li>1. Entfernen Sie die Fäden von der Spule.</li> <li>2. Wickeln Sie die Fäden auf.</li> </ol>
Der Faden bricht immer wieder ab.	Die Maschine ist unsachgemäß benutzt worden.	<ol style="list-style-type: none"> <li>1. Schneiden Sie mit der Spitze des Fadens, vermeiden Sie Steine, Mauern und andere harte Gegenstände.</li> <li>2. Ziehen Sie den Schneidfaden regelmäßig heraus, um die volle Schnittbreite zu erhalten.</li> </ol>
Das Gras wickelt sich um den Schneidkopf und das Motorgehäuse.	Mähen Sie hohes Gras auf Bodenhöhe.	<ol style="list-style-type: none"> <li>1. Schneiden Sie hohes Gras von oben nach unten.</li> <li>2. Entfernen Sie nicht mehr als 20 cm bei jedem Durchgang, um ein Umwickeln zu vermeiden.</li> </ol>
Der Faden schneidet nicht gut.	Das Fadenmesser wird stumpf.	Schärfen Sie das Fadenmesser mit einer Feile oder ersetzen Sie es.
Die Vibrationen nehmen deutlich zu.	Der Faden ist auf einer Seite abgenutzt und wurde nicht rechtzeitig verlängert.	Achten Sie darauf, dass der Faden an beiden Seiten gleich ist. Verlängern Sie den Faden.

## 8 TECHNISCHE DATEN

Spannung	40 V
Leerlaufdrehzahl	6300 ±10% min <sup>-1</sup> (Grastrimmer), 6800±10% min <sup>-1</sup> (Sense)

Schneidkopf	Stoßvorschub / Sensenmesser	
Durchmesser des Schneidfadens	2 mm	
Schneidbahndurchmesser	356/406 mm (Grastrimmer), 254 mm (Sense)	
Gewicht (ohne Akkupack)	4.5 kg	
Akku-Modell	G40B2/G40B25/G40B4 und andere BAF-Baureihen	
Ladegerät-Modell	G40C und andere CAF-Baureihen	
Grastrimmer	Gemessener Schalldruckpegel	$L_{PA}=78.4 \text{ dB(A)}$ , $K_{PA}= 3 \text{ dB(A)}$
	Garantierter Schalleistungspegel	$L_{WA,d}= 96 \text{ dB(A)}$
	Vibration	$<2.5 \text{ m/s}^2$ , $k=1.5 \text{ m/s}^2$
Sense	Gemessener Schalldruckpegel	$L_{PA}=82.8 \text{ dB(A)}$ , $K= 3 \text{ dB(A)}$
	Garantierter Schalleistungspegel	$L_{WA,d}=101 \text{ dB(A)}$
	Vibration	$<2.5 \text{ m/s}^2$ , $k=1.5 \text{ m/s}^2$



96 dB. Lärmwert. (Grastrimmer)

101 dB. Lärmwert. (Sense)

## 9 GARANTIE

(Die vollständigen Garantiebedingungen finden Sie auf der Website von Greenworks [www.greenworkstools.eu](http://www.greenworkstools.eu))

Die Greenworks-Garantie beträgt 3 Jahre auf das Produkt und 2 Jahre auf die Akkus (Käufer/ Privatgebrauch) ab Kaufdatum. Diese Garantie deckt Herstellungsfehler ab. Ein im Rahmen der Garantie fehlerhaftes Produkt kann entweder repariert oder ersetzt werden. Ein Gerät, das missbräuchlich oder auf andere Weise als zu in der Bedienungsanleitung beschrieben Zwecken verwendet wurde, kann von der Garantie ausgeschlossen werden. Normaler Verschleiß und Verschleißteile sind von der Garantie ausgeschlossen. Die ursprüngliche Herstellergarantie wird durch eine zusätzliche Garantie eines Händlers oder Einzelhändlers nicht beeinträchtigt.

Ein fehlerhaftes Produkt muss zusammen mit dem Kaufnachweis (Quittung) an die Verkaufsstelle

zurückgeschickt werden, um Garantieansprüche geltend zu machen.

## 10 EG-KONFORMITÄTSERKLÄRUNG

Name und Anschrift des Herstellers:

Name: GLOBGRO AB  
Globe Group Europe  
Adresse: Riggaregatan 53, 211 13 Malmö, Schweden

Name und Anschrift der Person, die zur Erstellung der technischen Unterlagen berechtigt ist:

Name: Micael Johansson  
Adresse: Riggaregatan 53, 211 13 Malmö, Schweden

Hiermit erklären wir, dass das Produkt

Kategorie: Faden-Rasentrimmer / Sense  
Modell: 2105707(STF457)  
Seriennummer: Siehe Produktetikett  
Baujahr: Siehe Produktetikett

- den einschlägigen Bestimmungen der Maschinenrichtlinie 2006/42/EG entspricht.
- den Bestimmungen der folgenden anderen EG-Richtlinien entspricht:
  - 2014/30/EU
  - 2000/14/EG & 2005/88/EG
  - 2011/65/EU & 2015/863/EU

Darüber hinaus erklären wir, dass die folgenden Teile/Klauseln von harmonisierten Normen verwendet wurden:

- EN 60335-1; EN 50636-2-91; EN 62233; EN 55014-1; EN 55014-2 ; EN ISO 3744; EN ISO 3744; ISO 11094; EN ISO 11806-1; IEC 62321-7-2; IEC 62321-4; IEC 62321-5; IEC 62321-6; IEC 62321-7-1; IEC 62321-8; IEC 62321-3-1.

Konformitätsbewertungsmethode nach Anhang VI der Richtlinie 2000/14/EG.

Faden-Rasentrimmer

Gemessener Schalleistungspegel:  $L_{WA}$ : 93.3 dB(A)  
Garantierter Schalleistungspegel:  $L_{WA,d}$ : 96 dB(A)

Sense

Gemessener Schalleis-  
tungspegel:  $L_{WA}$ : 97.3 dB(A)

Garantierter Schalleistung-  
spiegel:  $L_{WA,d}$ : 101 dB(A)

Ort, Datum: Unterschrift: Ted Qu, Qualität-  
sleiter

Malmö, 7.28.2021

Ted Qu

<b>1</b>	<b>Descripción.....</b>	<b>21</b>	<b>5</b>	<b>Mantenimiento.....</b>	<b>23</b>
1.1	Finalidad.....	21	5.1	Información general.....	23
1.2	Perspectiva general.....	21	5.2	Limpieza de la máquina.....	23
<b>2</b>	<b>Seguridad.....</b>	<b>21</b>	5.3	Sustitución del carrete.....	23
<b>3</b>	<b>Instalación.....</b>	<b>21</b>	5.4	Sustitución del hilo de corte.....	24
3.1	Desembalaje de la máquina.....	21	5.5	Montaje del cabezal de corte.....	24
3.2	Fijación de la protección.....	21	5.6	Retirada del cabezal de corte.....	24
3.3	Montaje del eje.....	22	5.7	Sustitución del mando de avance.....	24
3.4	Fijación del asa auxiliar.....	22	5.8	Montaje de la desbrozadora.....	24
3.5	Utilización de la correa de hombro.....	22	5.9	Retirada de la desbrozadora.....	25
3.6	Instalación de la batería.....	22	<b>6</b>	<b>Transporte y almacenamiento..</b>	<b>25</b>
3.7	Retirada de la batería.....	22	6.1	Traslado de la máquina.....	25
<b>4</b>	<b>Funcionamiento.....</b>	<b>22</b>	6.2	Almacenamiento de la máquina.....	25
4.1	Puesta en marcha de la máquina.....	22	<b>7</b>	<b>Solución de problemas.....</b>	<b>25</b>
4.2	Detención de la máquina.....	22	<b>8</b>	<b>Datos técnicos.....</b>	<b>26</b>
4.3	Consejos de funcionamiento.....	22	<b>9</b>	<b>Garantía.....</b>	<b>27</b>
4.4	Consejos de corte.....	23	<b>10</b>	<b>Declaración de conformidad</b>	
4.5	Ajuste de la longitud del hilo de corte.....	23	<b>CE.....</b>	<b>27</b>	
4.6	Ajuste del diámetro de corte.....	23			
4.7	Cuchilla de corte de hilo.....	23			

## 1 DESCRIPCIÓN

### 1.1 FINALIDAD

Esta máquina se utiliza para cortar hierba, maleza ligera y otra vegetación similar a nivel del suelo. El plano de corte debe estar aproximadamente paralelo a la superficie del suelo. No puede utilizar la máquina para cortar o podar setos, arbustos, matorrales, flores y compost.

### 1.2 PERSPECTIVA GENERAL

Figura 1 - 23.

- 1 Gatillo
- 2 Botón de desbloqueo
- 3 Eje superior
- 4 Asa auxiliar
- 5 Eje inferior
- 6 Protección
- 7 Cuchilla de corte
- 8 Cabezal de corte
- 9 Tapa de protección
- 10 Cuchilla
- 11 Botón de desbloqueo
- 12 Orificio de posicionamiento
- 13 Llave hexagonal
- 14 Mando central
- 15 Tapa
- 16 Soporte inferior
- 17 Cubierta de carrete
- 18 Carrete
- 19 Pestaña
- 20 Orificio de salida de hilo
- 21 Llave
- 22 Tuerca
- 23 Copa exterior
- 24 Tuerca anular exterior
- 25 Copa interior
- 26 Orificio de transmisión angular
- 27 Mando de avance
- A Dirección de rotación
- B Mejor zona de corte
- C Zona de corte peligrosa

## 2 SEGURIDAD

### ▲ AVISO

Asegúrese de seguir todas las instrucciones de seguridad.

Consulte el manual de seguridad.

## 3 INSTALACIÓN

### ▲ AVISO

Retire la batería de la máquina antes de la instalación.

### ▲ AVISO

No utilice accesorios que no estén recomendados para esta máquina.

### 3.1 DESEMBALAJE DE LA MÁQUINA

#### ▲ AVISO

Asegúrese de montar correctamente la máquina antes del uso.

#### ▲ AVISO

- Si las piezas de la máquina presentan daños, no utilice la máquina.
- Si faltan piezas, no haga funcionar la máquina.
- Si faltan piezas o hay piezas dañadas, contacte el centro de servicio.

1. Abra el embalaje.
2. Lea la documentación que se encuentra en la caja.
3. Retire todas las piezas sin montar de la caja.
4. Retire la máquina de la caja.
5. Deseche la caja y el material de embalaje de conformidad con los reglamentos locales.

#### ▲ AVISO

Por su seguridad personal, no inserte la batería antes de haber montado la herramienta por completo.

### 3.2 FIJACIÓN DE LA PROTECCIÓN

Figura 2.

#### ▲ AVISO

No toque la cuchilla de corte.

1. Retire los tornillos del cabezal de corte con un destornillador Phillips (no suministrado).
2. Ponga la protección sobre el cabezal de corte.
3. Alinee los orificios de tornillo de la protección con los orificios de tornillo del cabezal de corte.
4. Apriete los tornillos.
5. Ponga la tapa de la protección sobre la protección.
6. Alinee los orificios de tornillo de la tapa de la protección con los orificios de tornillo de la protección.
7. Apriete los tornillos.

### 3.3 MONTAJE DEL EJE

Figura 3.

1. Afloje el tornillo del acoplamiento.
2. Pulse el botón de desbloqueo del eje inferior.
3. Alinee el botón de desbloqueo con el orificio de posicionamiento y deslice los dos ejes.
4. Gire el eje inferior hasta que el botón se bloquee en el orificio de posicionamiento.

#### **i** NOTA

El botón de desbloqueo debe fijarse en el orificio de posicionamiento. El uso de un orificio incorrecto podría provocar lesiones personales o daños en la unidad.

5. Apriete el tornillo con una llave hexagonal.

### 3.4 FIJACIÓN DEL ASA AUXILIAR

Figura 4.

1. Afloje el mando central.
2. Retire la tapa y el soporte inferior.

#### **i** NOTA

No pierda el muelle del soporte.

3. Ponga el asa auxiliar en el soporte inferior.
4. Ponga la tapa en el soporte inferior.
5. Ponga todo el bloque en su carcasa sobre el eje.
6. Sitúe el asa auxiliar en una posición cómoda.
7. Bloquee el asa auxiliar con el mando central.

### 3.5 UTILIZACIÓN DE LA CORREA DE HOMBRO

Figura 5.

1. Fije el mosquetón al anillo de transporte en el tubo.
2. Póngase la correa de hombro.
3. Ajuste la longitud de la correa para que el mosquetón tenga aproximadamente la anchura de una mano debajo de su cadera derecha.

### 3.6 INSTALACIÓN DE LA BATERÍA

Figura 6.

#### **▲** AVISO

- Si la batería o el cargador ha sufrido daños, sustituya la batería o el cargador.
- Detenga la máquina y espere hasta que el motor se pare antes de instalar o retirar la batería.
- Debe leer, entender y seguir las instrucciones del manual de la batería y el cargador.

1. Alinee las nervaduras de elevación de la batería con las ranuras del compartimento de la batería.
2. Introduzca la batería en el compartimento de la batería hasta que encaje en su posición.
3. Cuando escuche un clic, la batería está instalada.

### 3.7 RETIRADA DE LA BATERÍA

Figura 6.

1. Pulse y mantenga pulsado el botón de desbloqueo de la batería.
2. Retire la batería de la máquina.

## 4 FUNCIONAMIENTO

#### **i** IMPORTANTE

Antes de utilizar la máquina, debe leer y entender las normas de seguridad y las instrucciones de funcionamiento.

#### **▲** AVISO

Tenga cuidado cuando utilice la máquina.

### 4.1 PUESTA EN MARCHA DE LA MÁQUINA

Figura 7.

1. Pulse el botón de desbloqueo y apriete el gatillo.

### 4.2 DETENCIÓN DE LA MÁQUINA

Figura 7.

1. Suelte el gatillo para detener la máquina.

### 4.3 CONSEJOS DE FUNCIONAMIENTO

Figura 8.

#### **▲** AVISO

Mantenga un espacio entre el cuerpo y la máquina.

#### **▲** AVISO

No utilice la máquina sin la protección en su posición.

Le sugerimos lo siguiente cuando utilice la máquina

- Mantenga la máquina conectada al arnés correctamente colocado.
- Mantenga una posición firme con las dos manos en la máquina mientras la utiliza.
- Corte la hierba alta de arriba a abajo.

Si se enrolla hierba alrededor del cabezal de corte:

- Retire la batería.



- Quite la hierba.

#### 4.4 CONSEJOS DE CORTE

Figura 9.

- Incline la máquina hacia la zona que va a cortar. Utilice la punta del hilo de corte para cortar hierba.
- Mueva la máquina de derecha a izquierda para evitar que salgan residuos despedidos hacia el operario.
- No corte en zonas peligrosas.
- No fuerce el cabezal de corte en hierba sin cortar.
- Las cercas de alambres y estacas provocan el desgaste y la rotura del hilo de corte. Las paredes de piedra y de ladrillo, los bordillos y la madera pueden desgastar rápidamente el hilo de corte.

#### 4.5 AJUSTE DE LA LONGITUD DEL HILO DE CORTE

Figura 10.

Mientras utiliza la máquina, el hilo de corte se desgasta y se acorta. Puede ajustar la longitud del hilo de corte.

1. Golpee el cabezal de corte contra el suelo mientras utiliza la máquina.
2. El hilo se libera automáticamente y la cuchilla de corte corta la longitud sobrante.

#### 4.6 AJUSTE DEL DIÁMETRO DE CORTE

Figura 11.

##### **i** NOTA

La máquina está ajustada a un diámetro de corte de 356 mm. Puede ajustarla a un diámetro de corte de 406 mm.

Ajuste el diámetro de corte a 356 mm para un tiempo de funcionamiento mayor y a 406 mm para una zona de corte más extensa.

1. Retire la batería.
2. Retire los tornillos de la cuchilla de la cuchilla de corte.
3. Gire la cuchilla de corte 180°.
4. Apriete los tornillos de la cuchilla.

#### 4.7 CUCHILLA DE CORTE DE HILO

Figura 11.

Este cortabordes está equipado con una cuchilla de corte de hilo en la protección. La cuchilla de corte de hilo recorta continuamente el hilo para garantizar un diámetro de corte uniforme y eficaz. Avance el hilo cada vez que escuche que el motor funciona más rápido de lo normal, o cuando la eficiencia del corte disminuya.

Esto mantendrá el mejor rendimiento y mantendrá el hilo el tiempo suficiente para avanzar adecuadamente.

## 5 MANTENIMIENTO

### **i** IMPORTANTE

Debe leer y entender los reglamentos de seguridad y las instrucciones de mantenimiento antes de limpiar, reparar o realizar tareas de mantenimiento en la máquina.

### **i** IMPORTANTE

Asegúrese de que todas las tuercas, los pernos y los tornillos estén apretados. Compruebe periódicamente que las asas estén firmemente montadas.

### **i** IMPORTANTE

Utilice únicamente las piezas de repuesto y los accesorios del fabricante original.

### 5.1 INFORMACIÓN GENERAL

#### **i** IMPORTANTE

Únicamente un distribuidor o un centro de servicio autorizado puede realizar el mantenimiento que no se indica en este manual.

Antes de las operaciones de mantenimiento:

- Detenga la máquina.
- Retire la batería.
- Deje que se enfríe el motor.
- Almacene la máquina en un lugar fresco y seco.
- Utilice ropa adecuada, guantes protectores y gafas de seguridad.

### 5.2 LIMPIEZA DE LA MÁQUINA

- Limpie la máquina después de cada uso con un paño húmedo humedecido en detergente neutro.
- No utilice detergentes o disolventes agresivos como "limpiacristales" para limpiar las piezas de plástico o las asas.
- Mantenga el cabezal de corte libre de hierba, hojas o grasa excesiva.
- Mantenga los respiraderos limpios y libres de residuos para evitar el sobrecalentamiento y daños en el motor.
- No pulverice agua sobre el motor ni los componentes eléctricos.

### 5.3 SUSTITUCIÓN DEL CARRETE

Figura 12 - 20.

1. Presione las pestañas de los laterales del cabezal de corte al mismo tiempo.

2. Tire para retirar la cubierta del carrete.
3. Retire el carrete restante.
4. Ponga el carrete en la cubierta del carrete.

## **i** NOTA

Asegúrese de que el hilo de corte esté en la ranura sobre el carrete nuevo y que se extienda aproximadamente 15 cm antes de instalar el carrete nuevo.

5. Introduzca los extremos de los hilos de corte por los orificios.
6. Extienda el hilo de corte para soltarlo de la ranura de guía en el carrete.
7. Instale el carrete y la cubierta del carrete en el cabezal de corte.
8. Introduzca la cubierta del carrete hasta que encaje en su posición.

## 5.4 SUSTITUCIÓN DEL HILO DE CORTE

Figura 14 - 16.

## **i** NOTA

Retire el hilo de corte restante del carrete.

## **i** NOTA

Utilice únicamente con el hilo de corte de nylon de 2 mm de diámetro.

1. Corte un trozo de hilo de corte de aproximadamente 3m.
2. Doble el hilo en el punto medio y enganche el bucle en la ranura en el borde central del carrete. Asegúrese de que el hilo encaje en su posición en la ranura.
3. Con el dedo entre los hilos, enrolle estos por igual y con fuerza alrededor del carrete en la dirección indicada.
4. Introduzca los hilos en las ranuras de guía.
5. No enrolle los hilos más allá del borde del carrete.

## 5.5 MONTAJE DEL CABEZAL DE CORTE

Figura 21.

1. Ponga el espaciador correctamente sobre el eje.
2. Fije la tuerca anular interior a la copa interior en la dirección indicada.
3. Asegúrese de que las ranuras de la tuerca anular interior estén perfectamente alineadas con las de la transmisión angular.
4. Ponga la llave en el orificio especificado de la transmisión angular.

5. Gire el cabezal de corte y empuje la llave hasta que encaje en el orificio de la tuerca anular interior, bloqueando la rotación.
6. Monte el cabezal de corte.
7. Gire el cabezal de corte en sentido antihorario para apretarlo.
8. Retire la llave.

## **i** IMPORTANTE

Debe instalar la cuchilla de corte cuando utilice el cabezal de corte.

## 5.6 RETIRADA DEL CABEZAL DE CORTE

Figura 21.

1. Ponga la llave en el orificio especificado de la transmisión angular.
2. Gire el cabezal de corte y empuje la llave hasta que encaje en el orificio de la tuerca anular interior, bloqueando la rotación.
3. Gire el cabezal de corte en sentido horario para aflojarlo. No retire el espaciador del eje.

## 5.7 SUSTITUCIÓN DEL MANDO DE AVANCE

Figura 13.

1. Presione las pestañas de los laterales del cabezal de corte al mismo tiempo.
2. Tire para retirar la cubierta del carrete.
3. Retire el carrete.
4. Sujete el mando de avance y sáquelo con una varilla metálica (no incluida).
5. Coloque el nuevo mando de avance en la carcasa del carrete.

## 5.8 MONTAJE DE LA DESBROZADORA

Figura 22 - 23.

## ▲ AVISO

Lleve guantes y tenga cuidado con los bordes afilados.

## ▲ AVISO

Aplique la protección a la cuchilla.

1. Ponga el espaciador correctamente sobre el eje.
2. Fije la tuerca anular interior a la copa interior en la dirección indicada.

3. Asegúrese de que las ranuras de la tuerca anular interior estén perfectamente alineadas con las de la transmisión angular.
4. Fije la cuchilla y la tuerca anular exterior con la parte plana orientada hacia la cuchilla.
5. Fije la copa exterior sin apretar la tuerca.
6. Ponga la llave en el orificio especificado de la transmisión angular.
7. Gire la cuchilla y empuje la llave hasta que la cuchilla encaje en el orificio de la tuerca anular interior, bloqueando la rotación.
8. Apriete la tuerca en sentido antihorario con una llave de 19 mm o 3/4 in (44/58 Nm).

## 5.9 RETIRADA DE LA DESBROZADORA

Figura 22 - 23.

### ▲ AVISO

Aplique la protección a la cuchilla.

1. Ponga la llave en el orificio especificado de la transmisión angular.
2. Gire la cuchilla y empuje la llave hasta que encaje en el orificio de la tuerca anular interior, bloqueando la rotación.
3. Afloje la tuerca en sentido horario y retire la copa exterior.
4. Retire la tuerca anular exterior, la cuchilla, la copa interior y la tuerca anular interior. No retire el espaciador del eje.

## 6 TRANSPORTE Y ALMACENAMIENTO

### 6.1 TRASLADO DE LA MÁQUINA

Cuando mueva la máquina debe:

- Llevar guantes.
- Detener la máquina.
- Retirada de la batería.
- Montar la protección de la cuchilla.

### 6.2 ALMACENAMIENTO DE LA MÁQUINA

- Retire la batería de la máquina y cárguela.
- Asegúrese de que los niños no puedan acercarse a la máquina.
- Mantenga la máquina alejada de agentes corrosivos, como sustancias químicas para jardín y sales para descongelación.

- Fije la máquina durante el transporte para evitar daños o lesiones. Limpie y examine si hay daños en la máquina.

## 7 SOLUCIÓN DE PROBLEMAS

Problema	Posible causa	Solución
La máquina no se pone en marcha cuando aprieta el gatillo.	No hay contacto eléctrico entre la máquina y la batería.	1. Retire la batería. 2. Compruebe el contacto e instale de nuevo la batería.
	La batería se ha agotado.	Cargue la batería.
	El botón de desbloqueo y el gatillo no se presionan al mismo tiempo.	1. Apriete el botón de desbloqueo y sujételo. 2. Apriete el gatillo para poner en marcha la máquina.

Problema	Posible causa	Solución
La máquina se detiene cuando corta.	La protección no está fijada a la máquina.	Retire la batería y fije la protección a la máquina.
	Se utiliza un hilo de corte pesado.	Utilice únicamente con el hilo de corte de nailon de 2 mm de diámetro.
La hierba se enrolla alrededor del eje del motor o del cabezal de corte.		<ol style="list-style-type: none"> <li>1. Detenga la máquina.</li> <li>2. Retire la batería.</li> <li>3. Retire la hierba del eje del motor y del cabezal de corte.</li> </ol>
El motor se ha sobrecargado.		<ol style="list-style-type: none"> <li>1. Retire el cabezal de corte de la hierba.</li> <li>2. El motor se recuperará para funcionar en cuanto se retire la carga.</li> <li>3. Cuando corte, mueva el cabezal de corte hacia dentro y fuera de la hierba que va a cortar y quite no más de 20 cm en cada pasada.</li> </ol>
La batería o la máquina está demasiado caliente.		<ol style="list-style-type: none"> <li>1. Deje enfriar la batería hasta que el funcionamiento vuelva a la normalidad.</li> <li>2. Deje enfriar la máquina durante aproximadamente 10 minutos.</li> </ol>
La batería se ha desconectado de la herramienta.		Instale de nuevo la batería.
La batería se ha agotado.		Cargue la batería.

Problema	Posible causa	Solución
El hilo no se extiende.	Los hilos se han quedado soldados.	Lubrique con spray de silicona.
	No hay suficiente hilo en el carrete.	Instale más hilo.
	Los hilos se desgastan y son demasiado cortos.	Extienda el hilo.
	Los hilos están enredados en el carrete.	<ol style="list-style-type: none"> <li>1. Retire los hilos del carrete.</li> <li>2. Enrolle los hilos.</li> </ol>
El hilo se rompe continuamente.	La máquina se está utilizando incorrectamente.	<ol style="list-style-type: none"> <li>1. Corte con la punta del hilo, evite piedras, paredes y otros objetos duros.</li> <li>2. Avance el hilo de corte periódicamente para mantener el ancho de corte completo.</li> </ol>
La hierba se enrolla alrededor del cabezal de corte y de la carcasa del motor.	Corte la hierba alta al nivel del suelo.	<ol style="list-style-type: none"> <li>1. Corte la hierba alta de arriba a abajo.</li> <li>2. No quite más de 20 cm en cada pasada para evitar que se enrolle.</li> </ol>
El hilo no corta bien.	La cuchilla de corte se ha desafilado.	Afile la cuchilla de corte con una lima o sustitúyala.
Las vibraciones aumentan notablemente.	El hilo está gastado en un lado y no se ha extendido a tiempo.	Asegúrese de que el hilo a ambos lados esté igual. Extienda el hilo.

## 8 DATOS TÉCNICOS

Tensión	40 V
Velocidad sin carga	6300 ±10%rpm (Cortahierba), 6800±10%rpm (Desbrozadora)
Cabezal de corte	Avance por sacudida / Cuchilla desbrozadora
Diámetro de hilo de corte	2 mm
Diámetro de recorrido de corte	356/406 mm (Cortahierba), 254 mm (Desbrozadora)

Peso (sin batería)	4.5 kg	
Modelo de batería	G40B2/G40B25/G40B4 y otras series BAF	
Modelo de cargador	G40C y otras series CAF	
Cortahierba	Nivel de presión acústica medida	$L_{PA}=78.4 \text{ dB(A)}$ , $K_{PA}= 3 \text{ dB(A)}$
	Nivel de potencia acústica garantizada	$L_{WA,d}=96 \text{ dB(A)}$
	Vibración	$<2.5 \text{ m/s}^2$ , $k=1.5 \text{ m/s}^2$
Desbrozadora	Nivel de presión acústica medida	$L_{PA}=82.8 \text{ dB(A)}$ , $K=3 \text{ dB(A)}$
	Nivel de potencia acústica garantizada	$L_{WA,d}=101 \text{ dB(A)}$
	Vibración	$<2.5 \text{ m/s}^2$ , $k=1.5 \text{ m/s}^2$



96 dB. Valor de ruido. (Cortahierba)

101 dB. Valor de ruido. (Desbrozadora)

## 9 GARANTÍA

(La totalidad de las condiciones de la garantía puede encontrarse en el sitio web de Greenworks [www.greenworkstools.eu](http://www.greenworkstools.eu))

La garantía de Greenworks es de 3 años para el producto y 2 años para las baterías (uso privado / del consumidor) a partir de la fecha de compra. Esta garantía cubre defectos de fabricación. Un producto defectuoso en garantía puede ser reparado o sustituido. Una unidad que haya sido mal utilizada o utilizada de modo distinto al que se describe en el manual del propietario puede no tener derecho a garantía. El desgaste normal y las piezas de desgaste no están cubiertos por la garantía. La garantía original del fabricante no se ve afectada por ninguna garantía adicional ofrecida por un distribuidor o minorista.

Un producto defectuoso debe devolverse al punto de compra para reclamar la garantía, junto con el comprobante de compra (ticket).

## 10 DECLARACIÓN DE CONFORMIDAD CE

Nombre y dirección del fabricante:

Nombre: GLOBGRO AB

Globe Group Europe

Dirección: Riggaregatan 53, 211 13 Malmö, Suecia

Nombre y dirección de la persona autorizada para compilar el archivo técnico:

Nombre: Micael Johansson

Dirección: Riggaregatan 53, 211 13 Malmö, Suecia

Por la presente declaramos que el producto

Categoría: Cortabordes / Desbrozadora

Modelo: 2105707(STF457)

Número de serie: Véase la etiqueta de clasificación del producto

Año de construcción: Véase la etiqueta de clasificación del producto

- es conforme con las disposiciones pertinentes de la Directiva relativa a las máquinas: 2006/42/CE.
- es conforme con las disposiciones de las siguientes Directivas CE:
  - 2014/30/UE
  - 2000/14/CE y 2005/88/CE
  - 2011/65/UE & 2015/863/UE

Adicionalmente, declaramos que se han utilizado las siguientes partes o cláusulas de las normas armonizadas:

- EN 60335-1; EN 50636-2-91; EN 62233; EN 55014-1; EN 55014-2 ; EN ISO 3744; EN ISO 3744; ISO 11094; EN ISO 11806-1; IEC 62321-7-2; IEC 62321-4; IEC 62321-5; IEC 62321-6; IEC 62321-7-1; IEC 62321-8; IEC 62321-3-1.

Método de evaluación de conformidad según el anexo VI / Directiva 2000/14/CE.

Cortabordes

Nivel de potencia acústica medida:  $L_{WA} : 93.3 \text{ dB(A)}$

Nivel de potencia acústica garantizada:  $L_{WA,d} : 96 \text{ dB(A)}$

Desbrozadora

Nivel de potencia acústica medida:  $L_{WA} : 97.3 \text{ dB(A)}$

Nivel de potencia acústica garantizada:  $L_{WA,d} : 101 \text{ dB(A)}$

Lugar, fecha:

Firma: Ted Qu, Director de calidad

Malmö, 7.28.2021

Ted Qu

ES

<b>1</b>	<b>Descrizione.....</b>	<b>30</b>	5.1	Informazioni generali.....	32
1.1	Destinazione d'uso.....	30	5.2	Pulizia dell'apparecchio.....	32
1.2	Panoramica.....	30	5.3	Sostituzione della bobina.....	33
<b>2</b>	<b>Sicurezza.....</b>	<b>30</b>	5.4	Sostituzione del filo di taglio.....	33
<b>3</b>	<b>Installazione.....</b>	<b>30</b>	5.5	Assemblaggio della testa di taglio con filo.....	33
3.1	Disimballaggio dell'attrezzo.....	30	5.6	Rimozione della la testa di taglio con filo.....	33
3.2	Installazione della cuffia di protezione.....	30	5.7	Sostituzione del pulsante di rilascio del filo.....	33
3.3	Assemblaggio dell'asta.....	31	5.8	Assemblaggio della testa di taglio con lama.....	33
3.4	Installazione dell'impugnatura ausiliaria...	31	5.9	Rimozione della testa di taglio con lama..	34
3.5	Utilizzo della tracolla.....	31	<b>6</b>	<b>Trasporto e conservazione.....</b>	<b>34</b>
3.6	Installazione della batteria.....	31	6.1	Spostamento dell'apparecchio.....	34
3.7	Rimozione del gruppo batteria.....	31	6.2	Conservazione dell'apparecchio.....	34
<b>4</b>	<b>Utilizzo.....</b>	<b>31</b>	<b>7</b>	<b>Risoluzione dei problemi.....</b>	<b>34</b>
4.1	Avvio dell'apparecchio.....	31	<b>8</b>	<b>Specifiche tecniche.....</b>	<b>35</b>
4.2	Arresto dell'apparecchio.....	31	<b>9</b>	<b>Garanzia.....</b>	<b>36</b>
4.3	Suggerimenti per l'uso.....	31	<b>10</b>	<b>Dichiarazione di conformità CE.....</b>	<b>36</b>
4.4	Suggerimenti per il taglio.....	32			
4.5	Regolazione della lunghezza del filo di taglio.....	32			
4.6	Regolazione del diametro di taglio.....	32			
4.7	Lama tagliafilo.....	32			
<b>5</b>	<b>Manutenzione.....</b>	<b>32</b>			

## 1 DESCRIZIONE

### 1.1 DESTINAZIONE D'USO

Questo apparecchio è progettato per tagliare erba, erbacce sottili e altri tipi di vegetazione simile, a livello del terreno o in sua prossimità. Il piano di taglio deve essere tenuto all'incirca parallelo al terreno. Questo apparecchio non deve essere usato per tagliare o triturare siepi, arbusti, cespugli, fiori e compost.

### 1.2 PANORAMICA

Figura 1 - 23.

- 1 Interruttore a leva
- 2 Pulsante di sbloccaggio
- 3 Asta superiore
- 4 Impugnatura ausiliaria
- 5 Asta inferiore
- 6 Protezione
- 7 Lama tagliafilo
- 8 Testa di taglio
- 9 Cappuccio di protezione
- 10 Lama
- 11 Pulsante di rilascio
- 12 Foro di posizionamento
- 13 Chiave esagonale
- 14 Manopola centrale
- 15 Cappuccio
- 16 Supporto inferiore
- 17 Copertura della bobina
- 18 Bobina
- 19 Linguetta
- 20 Foro di uscita del filo
- 21 Chiave
- 22 Dado
- 23 Coppa esterna
- 24 Ghiera filettata esterna
- 25 Coppa interna
- 26 Foro della trasmissione angolare
- 27 Pulsante di rilascio del filo
- A Direzione di rotazione
- B Area di taglio ottimale
- C Area di taglio pericolosa

## 2 SICUREZZA

### ▲ AVVERTIMENTO

Rispettare e applicare tutte le avvertenze di sicurezza.

Fare riferimento alle avvertenze di sicurezza.

## 3 INSTALLAZIONE

### ▲ AVVERTIMENTO

Rimuovere il gruppo batteria dall'apparecchio prima dell'installazione.

### ▲ AVVERTIMENTO

Non usare accessori non raccomandati per questo apparecchio.

### 3.1 DISIMBALLAGGIO DELL'ATTEZZO

#### ▲ AVVERTIMENTO

Assicurarsi di assemblare correttamente l'attrezzo prima dell'uso.

#### ▲ AVVERTIMENTO

- Se una parte della macchina è danneggiata, non usare l'attrezzo.
- Se uno o più componenti sono mancanti, non usare l'attrezzo.
- In caso di componenti danneggiati o mancanti, contattare il centro di assistenza.

1. Aprire l'imballaggio.
2. Leggere i documenti contenuti nell'imballaggio.
3. Estrarre gli accessori dall'imballaggio.
4. Estrarre l'attrezzo dall'imballaggio.
5. Smaltire l'imballaggio conformemente alle normative locali.

#### ▲ AVVERTIMENTO

Per motivi di sicurezza, non inserire la batteria prima che l'utensile sia completamente assemblato.

### 3.2 INSTALLAZIONE DELLA CUFFIA DI PROTEZIONE

Figura 2.

#### ▲ AVVERTIMENTO

Non toccare la lama tagliafilo.

1. Rimuovere le viti dalla testa di taglio con un cacciavite a croce (non fornito).
2. Posizionare la cuffia di protezione sulla testa di taglio.
3. Allineare i fori delle viti sulla cuffia di protezione con i fori delle viti sulla testa di taglio.
4. Serrare le viti.
5. Posizionare il cappuccio di protezione sulla cuffia di protezione.



6. Allineare i fori delle viti sul cappuccio di protezione con i fori delle viti sulla cuffia di protezione.
7. Serrare le viti.

### 3.3 ASSEMBLAGGIO DELL'ASTA

Figura 3.

1. Allentare la manopola sull'attacco.
2. Premere il pulsante di rilascio sull'asta inferiore.
3. Allineare il pulsante di rilascio con il foro di posizionamento e fare scorrere le due aste.
4. Ruotare l'asta inferiore finché il pulsante non scatta nel foro di posizionamento.

#### **i** NOTA

Il pulsante di rilascio deve essere fissato nel foro di posizionamento. L'uso del foro scorretto comporta il rischio di lesioni personali o danni all'apparecchio.

5. Serrare la vite con la chiave esagonale.

### 3.4 INSTALLAZIONE DELL'IMPUGNATURA AUSILIARIA

Figura 4.

1. Allentare la manopola centrale.
2. Rimuovere il cappuccio e il supporto inferiore.

#### **i** NOTA

Fare attenzione alla molla nel supporto.

3. Posizionare l'impugnatura ausiliaria nel supporto inferiore.
4. Posizionare il cappuccio sul supporto inferiore.
5. Posizionare l'intero blocco sull'apposito supporto sull'asta.
6. Impostare l'impugnatura ausiliaria in una posizione confortevole.
7. Bloccare l'impugnatura ausiliaria con la manopola centrale.

### 3.5 UTILIZZO DELLA TRACOLLA

Figura 5.

1. Fissare il moschettone all'anello di trasporto sull'asta.
2. Indossare la tracolla.
3. Regolare la lunghezza della tracolla affinché il moschettone si trovi al di sotto del proprio fianco destro, a circa una mano di distanza.

### 3.6 INSTALLAZIONE DELLA BATTERIA

Figura 6.

#### **▲** AVVERTIMENTO

- Se la batteria o il caricabatteria sono danneggiati, sostituirli.
- Arrestare l'attrezzo e attendere che il motore si arresti prima di installare o rimuovere la batteria.
- Leggere, comprendere e rispettare le istruzioni riportate nel manuale della batteria e del caricabatteria.

1. Allineare le sporgenze sulla batteria con le scanalature sul vano batteria.
2. Fare scorrere la batteria nel vano batteria finché non si blocca in posizione.
3. Deve emettere un "clic".

### 3.7 RIMOZIONE DEL GRUPPO BATTERIA

Figura 6.

1. Tenere premuto il pulsante di rilascio della batteria.
2. Rimuovere il gruppo batteria dall'apparecchio.

## 4 UTILIZZO

#### **i** IMPORTANTE

Prima di usare l'apparecchio, leggere e comprendere le avvertenze di sicurezza e le istruzioni per l'uso.

#### **▲** AVVERTIMENTO

Prestare attenzione durante l'uso dell'apparecchio.

### 4.1 AVVIO DELL'APPARECCHIO

Figura 7.

1. Premere il pulsante di sbloccaggio e l'interruttore a leva.

### 4.2 ARRESTO DELL'APPARECCHIO

Figura 7.

1. Rilasciare l'interruttore a leva per arrestare l'apparecchio.

### 4.3 SUGGERIMENTI PER L'USO

Figura 8.

#### **▲** AVVERTIMENTO

Mantenere una certa distanza tra l'apparecchio e il proprio corpo.

#### **▲** AVVERTIMENTO

Non usare l'apparecchio senza i dispositivi di protezione installati.

## Durante l'uso dell'apparecchio:

- tenere l'apparecchio collegato alla tracolla, dopo averla indossata correttamente;
- mantenere una presa salda con entrambe le mani sull'apparecchio durante l'uso;
- tagliare l'erba alta dall'alto verso il basso.

## Se l'erba si avvolge intorno alla testa di taglio:

- rimuovere il gruppo batteria;
- rimuovere l'erba.

## 4.4 SUGGERIMENTI PER IL TAGLIO

Figura 9.

- Inclinare l'apparecchio verso l'area da tagliare. Usare la punta del filo di taglio per tagliare l'erba.
- Muovere l'apparecchio da destra a sinistra per evitare il lancio di detriti verso l'operatore.
- Non tagliare con l'area pericolosa.
- Non forzare la testa di taglio sull'erba alta.
- Reti in ferro e staccionate possono causare l'usura e la rottura del filo di taglio. Muri in pietra e mattoni, marciapiedi e legno possono causare la rapida usura del filo di taglio.

## 4.5 REGOLAZIONE DELLA LUNGHEZZA DEL FILO DI TAGLIO

Figura 10.

Durante l'uso dell'apparecchio, il filo di taglio si usura e si accorcia. È possibile regolare la lunghezza del filo di taglio.

1. Premere la testa di taglio contro il terreno durante l'uso dell'apparecchio.
2. Il filo verrà rilasciato automaticamente, e la lama tagliafilo taglierà il filo in eccesso.

## 4.6 REGOLAZIONE DEL DIAMETRO DI TAGLIO

Figura 11.

### i NOTA

Il diametro di taglio dell'apparecchio è impostato su 356 mm . È possibile impostarlo su 406 mm .

Impostare il diametro di taglio su 356 mm per una maggiore autonomia e 406 mm per un'area di taglio più ampia.

1. Rimuovere il gruppo batteria.
2. Rimuovere le viti della lama dalla lama tagliafilo.
3. Ruotare la lama tagliafilo di 180°.
4. Serrare le viti della lama.

## 4.7 LAMA TAGLIAFILO

Figura 11.

Sulla cuffia di protezione è presente una lama tagliafilo. Tale lama taglia costantemente il filo per assicurare un diametro di taglio omogeneo ed efficace. Allungare il filo quando il motore gira più velocemente del normale, o quando l'efficienza di taglio diminuisce, per garantire le massime prestazioni e affinché il filo si allunghi correttamente.

## 5 MANUTENZIONE

### i IMPORTANTE

Leggere e comprendere le avvertenze di sicurezza e le istruzioni per la manutenzione prima di sottoporre l'apparecchio a pulizia, riparazione o manutenzione.

### i IMPORTANTE

Assicurarsi che tutte le viti, i bulloni e i dadi siano serrati correttamente. Verificare periodicamente che le impugnature siano installate saldamente.

### i IMPORTANTE

Usare esclusivamente accessori e parti di ricambio originali.

## 5.1 INFORMAZIONI GENERALI

### i IMPORTANTE

Solo il rivenditore o un centro di assistenza autorizzato possono effettuare le operazioni di manutenzione non descritte in questo manuale.

Prima di effettuare le operazioni di manutenzione:

- arrestare l'apparecchio;
- rimuovere il gruppo batteria;
- attendere che il motore si raffreddi;
- riporre l'apparecchio in un luogo fresco e asciutto;
- indossare indumenti adatti, guanti e occhiali di protezione.

## 5.2 PULIZIA DELL'APPARECCHIO

- Pulire l'apparecchio dopo ogni utilizzo con un panno umido e del detergente neutro.
- Non usare detergenti aggressivi o solventi come pulitori per vetri sulle parti in plastica o sulle impugnature.
- Mantenere la testa di taglio priva di erba, foglie o grasso in eccesso.
- Mantenere le aperture di ventilazione pulite e prive di detriti per evitare il rischio di surriscaldamento e di danni al motore.

- Non spruzzare acqua sul motore e sui componenti elettrici.

## 5.3 SOSTITUZIONE DELLA BOBINA

Figura 12 - 20.

1. Premere simultaneamente le linguette ai lati della testa di taglio.
2. Tirare e rimuovere la copertura della bobina.
3. Rimuovere la bobina rimanente.
4. Posizionare la bobina nella copertura della bobina.

### i NOTA

Assicurarsi che il filo di taglio sia fissato nella scanalatura della nuova bobina e che fuoriesca di circa 15 cm prima di installare la bobina nuova.

5. Infilare le estremità del filo di taglio negli appositi fori di uscita.
6. Estendere il filo di taglio per farlo passare attraverso la fessura guida della bobina.
7. Installare la bobina e la copertura della bobina sulla testa di taglio.
8. Premere il coperchio della bobina finché non si blocca in posizione.

## 5.4 SOSTITUZIONE DEL FILO DI TAGLIO

Figura 14 - 16.

### i NOTA

Rimuovere il filo di taglio residuo dalla bobina.

### i NOTA

Usare esclusivamente filo di taglio in nylon di 2 mm di diametro.

1. Tagliare un pezzo di filo di taglio lungo circa 3 metri.
2. Piegare il filo a metà e agganciare l'anello alla scanalatura sul bordo centrale della bobina. Assicurarsi che il filo si incastrerà nella scanalatura.
3. Tenendo un dito tra i fili, avvolgerli saldamente intorno alla bobina nella direzione indicata.
4. Infilare i fili nelle fessure guida.
5. Non avvolgere i fili oltre il bordo della bobina.

## 5.5 ASSEMBLAGGIO DELLA TESTA DI TAGLIO CON FILO

Figura 21.

1. Posizionare il distanziatore sull'asta.
2. Fissare la ghiera filettata interna alla coppia interna nella direzione indicata.

3. Assicurarsi che le scanalature della ghiera interna siano perfettamente allineate con quelle sulla trasmissione angolare.
4. Inserire la chiave nell'apposito foro della trasmissione angolare.
5. Ruotare la testa di taglio e spingere la chiave finché non si incastra nel foro della ghiera filettata interna, bloccando la rotazione.
6. Assemblare la testa di taglio.
7. Ruotare la testa di taglio in senso antiorario per serrarla.
8. Rimuovere la chiave.

### i IMPORTANTE

Per usare la testa di taglio è necessario installare la lama tagliafilo.

## 5.6 RIMOZIONE DELLA LA TESTA DI TAGLIO CON FILO

Figura 21.

1. Inserire la chiave nell'apposito foro della trasmissione angolare.
2. Ruotare la testa di taglio e spingere la chiave finché non si incastra nel foro della ghiera filettata interna, bloccando la rotazione.
3. Ruotare la testa di taglio in senso orario per allentarla. Non rimuovere il distanziatore dall'asta.

## 5.7 SOSTITUZIONE DEL PULSANTE DI RILASCIO DEL FILO

Figura 13.

1. Premere simultaneamente le linguette ai lati della testa di taglio.
2. Tirare e rimuovere la copertura della bobina.
3. Rimuovere la bobina.
4. Afferrare il pulsante di rilascio del filo e rimuoverlo con un'asta metallica (non fornita).
5. Installare il nuovo pulsante di rilascio del filo all'interno dell'alloggio della bobina.

## 5.8 ASSEMBLAGGIO DELLA TESTA DI TAGLIO CON LAMA

Figura 22 - 23.

### ▲ AVVERTIMENTO

Indossare guanti protettivi e prestare attenzione ai bordi taglienti.

### ▲ AVVERTIMENTO

Installare la protezione sulla lama.

1. Posizionare il distanziatore sull'asta.
2. Fissare la ghiera filettata interna alla coppia interna nella direzione indicata.
3. Assicurarsi che le scanalature della ghiera interna siano perfettamente allineate con quelle sulla trasmissione angolare.
4. Fissare la lama e la ghiera filettata esterna con la parte piatta rivolta verso la lama.
5. Fissare la coppa esterna senza serrare il dado.
6. Inserire la chiave nell'apposito foro della trasmissione angolare.
7. Ruotare la lama e spingere la chiave finché la lama non si incastra nel foro della ghiera filettata interna, bloccando la rotazione.
8. Serrare il dado in senso antiorario con una chiave da 19 mm o 3/4 in. (44/58 Nm).

## 5.9 RIMOZIONE DELLA TESTA DI TAGLIO CON LAMA

Figura 22 - 23.

### ▲ AVVERTIMENTO

Installare la protezione sulla lama.

1. Inserire la chiave nell'apposito foro della trasmissione angolare.
2. Ruotare la lama e spingere la chiave finché non si incastra nel foro della ghiera filettata interna, bloccando la rotazione.
3. Allentare il dado in senso orario e rimuovere la coppa esterna.
4. Rimuovere la ghiera filettata esterna, la lama, la coppa interna e la ghiera filettata interna. Non rimuovere il distanziatore dall'asta.

## 6 TRASPORTO E CONSERVAZIONE

### 6.1 SPOSTAMENTO DELL'APPARECCHIO

Prima di spostare l'apparecchio:

- indossare i guanti;
- arrestare l'apparecchio;
- rimozione del gruppo batteria;
- installare la protezione della lama.

### 6.2 CONSERVAZIONE DELL'APPARECCHIO

- Rimuovere il gruppo batteria dall'apparecchio e ricaricarlo.
- Assicurarsi che i bambini non possano avvicinarsi all'apparecchio.

- Tenere l'apparecchio al riparo da agenti corrosivi, ad esempio sostanze chimiche per il giardinaggio e sale per disgelo.
- Fissare l'apparecchio durante il trasporto per evitare il rischio di danni o lesioni. Pulire l'apparecchio e ispezionarlo per verificare che non sia danneggiato.

## 7 RISOLUZIONE DEI PROBLEMI

Problema	Possibile causa	Soluzione
Il motore non si avvia alla pressione dell'interruttore a leva.	Nessun contatto elettrico tra l'apparecchio e il gruppo batteria.	1. Rimuovere il gruppo batteria 2. Ispezionare i contatti e reinstallare il gruppo batteria.
	Il gruppo batteria è scarico.	Ricaricare il gruppo batteria.
	Il pulsante di sbloccaggio e l'interruttore a leva non sono stati premuti contemporaneamente.	1. Tenere premuto il pulsante di sbloccaggio. 2. Premere l'interruttore a leva per avviare l'apparecchio.

Problema	Possibile causa	Soluzione
L'apparecchio si arresta durante il taglio.	La cuffia di protezione non è installata sull'apparecchio.	Rimuovere il gruppo batteria e installare la cuffia di protezione.
	Il filo di taglio è troppo spesso.	Usare esclusivamente filo di taglio in nylon di 2 mm di diametro.
	L'erba si avvolge intorno all'albero motore o alla testa di taglio.	<ol style="list-style-type: none"> <li>1. Arrestare l'apparecchio</li> <li>2. Rimuovere il gruppo batteria.</li> <li>3. Rimuovere l'erba dall'albero motore e dalla testa di taglio.</li> </ol>
	Il motore è sovraccarico.	<ol style="list-style-type: none"> <li>1. Rimuovere la testa di taglio dall'erba.</li> <li>2. Il motore si riavvierà alla rimozione del carico.</li> <li>3. Durante il taglio, spostare la testa di taglio dentro e fuori dall'erba da tagliare e rimuovere non più di 20 cm di lunghezza a ogni passata.</li> </ol>
Il gruppo batteria o l'apparecchio sono troppo caldi.	<ol style="list-style-type: none"> <li>1. Attendere che la temperatura del gruppo batteria scenda a un livello normale.</li> <li>2. Attendere che l'apparecchio si raffreddi per circa 10 minuti.</li> </ol>	
Il gruppo batteria è scollegato dall'apparecchio.	Reinstallare il gruppo batteria.	
Il gruppo batteria è scarico.	Ricaricare il gruppo batteria.	

Problema	Possibile causa	Soluzione
Il filo di taglio non avanza.	Il filo di taglio è incollato.	Lubrificarlo con del silicone spray.
	La bobina non contiene abbastanza filo.	Installare più filo.
	Il filo di taglio è troppo corno.	Far avanzare il filo di taglio.
	Il filo si è impigliato sulla bobina.	<ol style="list-style-type: none"> <li>1. Rimuovere il filo dalla bobina.</li> <li>2. Avvolgere il filo.</li> </ol>
Il filo continua a rompersi.	L'apparecchio è usato in modo errato.	<ol style="list-style-type: none"> <li>1. Tagliare con la punta del filo, evitare pietre, muri e altri oggetti duri.</li> <li>2. Far avanzare il filo di taglio con regolarità per mantenere la completa ampiezza di taglio.</li> </ol>
L'erba si avvolge intorno alla testa di taglio e al vano motore.	Tagliare l'erba a livello del terreno.	<ol style="list-style-type: none"> <li>1. Tagliare l'erba alta dall'alto verso il basso.</li> <li>2. Rimuovere non più di 20 cm di erba a ogni passata.</li> </ol>
Il filo non taglia bene.	La lama tagliafilo è smussata.	Affilarla la lama tagliafilo con una lima o sostituirlo.
Le vibrazioni si sono intensificate.	Il filo di taglio è usurato da un lato e non avanza tempestivamente.	Assicurarsi che il filo fuoriesca da entrambi i lati in modo uguale. Far avanzare il filo di taglio.

## 8 SPECIFICHE TECNICHE

Tensione	40 V
Velocità a vuoto	6300 ±10%rpm (con filo), 6800±10%rpm (con lama)
Testa di taglio	Filo con rilascio a pressione / Lama
Diametro del filo di taglio	2 mm
Ampiezza di taglio	356/406mm (con filo), 254mm (con lama)
Peso (senza gruppo batteria)	4.5 kg

Modello batteria	G40B2/G40B25/G40B4 e altre serie BAF	
Modello carica-batteria	G40C e altre serie CAF	
Tagliabordi	Livello di pressione sonora misurato	$L_{pA}=78.4 \text{ dB(A)}$ , $K_{pA}=3 \text{ dB(A)}$
	Livello di potenza sonora garantito	$L_{WA,d}=96 \text{ dB(A)}$
	Vibrazioni	$<2.5 \text{ m/s}^2$ , $k=1.5 \text{ m/s}^2$
Decespugliatore	Livello di pressione sonora misurato	$L_{pA}=82.8 \text{ dB(A)}$ , $K=3 \text{ dB(A)}$
	Livello di potenza sonora garantito	$L_{WA,d}=101 \text{ dB(A)}$
	Vibrazioni	$<2.5 \text{ m/s}^2$ , $k=1.5 \text{ m/s}^2$



96 dB. Valori di emissione del rumore (Tagliabordi)

101 dB. Valori di emissione del rumore. (Decespugliatore)

## 9 GARANZIA

(I termini e le condizioni integrali della garanzia sono consultabili sul Greenworks sito web [www.greenworkstools.eu](http://www.greenworkstools.eu).)

Greenworks offre una garanzia di 3 anni per il prodotto e di 2 anni per le batterie (uso domestico/privato) dalla data di acquisto. La garanzia copre i difetti di fabbricazione. I prodotti difettosi in garanzia possono essere riparati o sostituiti. L'uso del prodotto in modo improprio o diverso da come descritto nel manuale di istruzioni può invalidare la garanzia. La normale usura del prodotto e degli accessori non è coperta dalla garanzia. La garanzia del fabbricante non è influenzata da eventuali garanzie supplementari offerte dal rivenditore o dal fornitore.

Per inoltrare una richiesta di riparazione in garanzia, i prodotti difettosi devono essere riportati presso il punto vendita insieme alla prova di acquisto (ricevuta).

## 10 DICHIARAZIONE DI CONFORMITÀ CE

Nome e indirizzo del fabbricante

Nome: GLOBGRO AB  
Globe Group Europe

Indirizzo: Riggaregatan 53, 211 13 Malmö, Svezia

Nome e indirizzo della persona autorizzata a compilare il fascicolo tecnico:

Nome: Micael Johansson  
Indirizzo: Riggaregatan 53, 211 13 Malmö, Svezia

Con la presente si dichiara che il prodotto

Categoria: Tagliabordi / Decespugliatore  
Modello: 2105707(STF457)  
Numero di serie: consultare la targa del prodotto  
Anno di fabbricazione: consultare la targa del prodotto

- è conforme ai requisiti della direttiva Macchine 2006/42/EC;
- è conforme ai requisiti delle seguenti direttive europee:
  - 2014/30/EU
  - 2000/14/EC & 2005/88/EC
  - 2011/65/EU & (EU)2015/863

Inoltre, si dichiara di aver utilizzato i seguenti (parti/ clausole degli) standard armonizzati :

- EN 60335-1; EN 50636-2-91; EN 62233; EN 55014-1; EN 55014-2 ; EN ISO 3744; EN ISO 3744; ISO 11094; EN ISO 11806-1; IEC 62321-7-2; IEC 62321-4; IEC 62321-5; IEC 62321-6; IEC 62321-7-1; IEC 62321-8; IEC 62321-3-1.

Metodo di valutazione della conformità conforme all'allegato VI della direttiva 2000/14/EC.

Tagliabordi

Livello di potenza sonora misurato:  $L_{WA} : 93.3 \text{ dB(A)}$

Livello di potenza sonora garantito:  $L_{WA,d} : 96 \text{ dB(A)}$

Decespugliatore

Livello di potenza sonora misurato:  $L_{WA} : 97.3 \text{ dB(A)}$

Livello di potenza sonora garantito:  $L_{WA,d} : 101 \text{ dB(A)}$

Luogo, data: Firma: Ted Qu, Direttore Qualità

Malmö, 7.28.2021

Ted Au

<b>1</b>	<b>Description.....</b>	<b>39</b>			
1.1	Objet.....	39	4.7	Lame de coupe de ligne.....	41
1.2	Aperçu.....	39	<b>5</b>	<b>Maintenance.....</b>	<b>41</b>
<b>2</b>	<b>Sécurité.....</b>	<b>39</b>	5.1	Informations générales.....	41
<b>3</b>	<b>Installation.....</b>	<b>39</b>	5.2	Nettoyez la machine.....	42
3.1	Déballage de la machine.....	39	5.3	Remplacement de bobine.....	42
3.2	Fixation de protection.....	39	5.4	Remplacement de ligne de coupe.....	42
3.3	Assemblage d'arbre.....	40	5.5	Assemblage de tête de coupe-bordure....	42
3.4	Fixation de poignée auxiliaire.....	40	5.6	Retrait de la tête de taille-haie.....	42
3.5	Usage de la bandoulière.....	40	5.7	Remplacement de molette de secousse..	42
3.6	Installation de la batterie.....	40	5.8	Assemblage de débroussailleuse.....	43
3.7	Retrait de la batterie.....	40	5.9	Retrait de débroussailleuse.....	43
<b>4</b>	<b>Fonctionnement.....</b>	<b>40</b>	<b>6</b>	<b>Transport et stockage.....</b>	<b>43</b>
4.1	Démarrage de la machine.....	40	6.1	Déplacement de la machine.....	43
4.2	Arrêt de la machine.....	40	6.2	Stockage de la machine.....	43
4.3	Conseils d'utilisation.....	40	<b>7</b>	<b>Dépannage.....</b>	<b>43</b>
4.4	Conseils de coupe.....	41	<b>8</b>	<b>Données techniques.....</b>	<b>44</b>
4.5	Ajustement de longueur de ligne de coupe.....	41	<b>9</b>	<b>Garantie.....</b>	<b>45</b>
4.6	Ajustement de diamètre de coupe.....	41	<b>10</b>	<b>Déclaration de conformité CE..</b>	<b>45</b>



## 1 DESCRIPTION

### 1.1 OBJET

Cette machine sert à couper l'herbe, les petites broussailles et autres végétations similaires à proximité du niveau du sol. Le plan de coupe doit être approximativement parallèle à la surface du sol. Vous ne pouvez pas utiliser la machine pour couper ou tailler les haies, arbustes, buissons et fleur, ni le compost.

### 1.2 APERÇU

Figure 1 - 23.

- 1 Gâchette
- 2 Bouton de déverrouillage
- 3 Arbre supérieur
- 4 Poignée auxiliaire
- 5 Arbre inférieur
- 6 Protection
- 7 Lame de coupe
- 8 Tête de taille-haie
- 9 Capuchon de protection
- 10 Lame
- 11 Bouton de libération
- 12 Orifice de positionnement
- 13 Clé hex
- 14 Molette centrale
- 15 Capuchon
- 16 Support inférieur
- 17 Cache de bobine
- 18 Bobine
- 19 Languette
- 20 Orifice de sortie de ligne
- 21 Clé
- 22 Écrou
- 23 Ventouse extérieure
- 24 Écrou bague extérieur
- 25 Ventouse intérieure
- 26 Orifice de transmission angulaire
- 27 Molette de secousse
- A Sens de rotation
- B Meilleure zone de coupe
- C Zone de coupe dangereuse

## 2 SÉCURITÉ

### ▲ AVERTISSEMENT

Suivez toutes les instructions de sécurité.

Voir le Manuel de sécurité.

## 3 INSTALLATION

### ▲ AVERTISSEMENT

Retirez le pack-batterie de la machine avant l'installation.

### ▲ AVERTISSEMENT

N'utilisez pas des accessoires qui ne sont pas recommandés pour cette machine.

### 3.1 DÉBALLAGE DE LA MACHINE

#### ▲ AVERTISSEMENT

Assurez-vous d'assembler correctement la machine avant son usage.

#### ▲ AVERTISSEMENT

- Si des pièces de la machine sont endommagées, n'utilisez pas la machine.
- Si des pièces sont manquantes, n'utilisez pas la machine.
- Si des pièces sont endommagées ou manquantes, contactez le centre d'entretien.

1. Ouvrez l'emballage.
2. Lisez la documentation fournie dans la boîte.
3. Retirez toutes les pièces non-assemblées de la boîte.
4. Retirez la machine de la boîte.
5. Mettez la boîte et le matériau d'emballage au rebut dans le respect de la réglementation locale.

#### ▲ AVERTISSEMENT

Pour votre sécurité personnelle, n'insérez pas la batterie avant que l'outil ne soit assemblé complètement.

### 3.2 FIXATION DE PROTECTION

Figure 2.

#### ▲ AVERTISSEMENT

Ne touchez pas la lame de coupe.

1. Retirez les vis de la tête de coupe-bordure avec un tournevis cruciforme (non fourni).
2. Placez la protection sur la tête de coupe-bordure.
3. Alignez les orifices de vis sur la protection avec ceux sur la tête de coupe-bordure.
4. Serrez les vis.
5. Placez le capuchon de protection sur la protection.
6. Alignez les orifices de vis sur le capuchon de protection avec ceux sur la protection.

7. Serrez les vis.

### 3.3 ASSEMBLAGE D'ARBRE

Figure 3.

1. Desserrez la vis sur le coupleur.
2. Enfoncez le bouton de libération sur l'arbre inférieur.
3. Alignez le bouton de libération avec l'orifice de positionnement et glissez les deux arbres.
4. Tournez l'arbre inférieur pour que le bouton se verrouille dans l'orifice de positionnement.

#### **i** REMARQUE

Le bouton de libération doit être fixé dans l'orifice de positionnement. L'usage de l'orifice erroné pourrait blesser ou endommager l'unité.

5. Serrez la vis avec la clé hex.

### 3.4 FIXATION DE POIGNÉE AUXILIAIRE

Figure 4.

1. Desserrez la molette centrale.
2. Retirez le capuchon et le support inférieur.

#### **i** REMARQUE

Ne manquez pas le ressort dans le support.

3. Placez la poignée auxiliaire dans le support inférieur.
4. Remettez le capuchon sur le support inférieur.
5. Remettez le bloc complet dans son boîtier sur l'arbre.
6. Placez la poignée auxiliaire sur une position confortable.
7. Verrouillez la poignée auxiliaire avec la molette centrale.

### 3.5 USAGE DE LA BANDOULIÈRE

Figure 5.

1. Fixez le mousqueton sur la bague de transport de la perche.
2. Passez la bandoulière.
3. Ajustez la longueur de la sangle de sorte que le mousqueton soit environ d'une largeur de main sous votre hanche droite.

### 3.6 INSTALLATION DE LA BATTERIE

Figure 6.

#### **▲** AVERTISSEMENT

- Si la batterie ou le chargeur est endommagé, remplacez-le.
- Arrêtez la machine et attendez que le moteur s'arrête avant d'installer ou de retirer la batterie.
- Vous devez lire, comprendre et appliquer les instructions du manuel de la batterie et du chargeur.

1. Alignez les ailettes de la batterie avec les rainures dans le compartiment de batterie.
2. Poussez la batterie dans le compartiment de batterie jusqu'à la verrouiller.
3. Au clic audible, la batterie est installée correctement.

### 3.7 RETRAIT DE LA BATTERIE

Figure 6.

1. Appuyez sur le bouton de libération de la batterie sans le relâcher.
2. Retirez la batterie de la machine.

## 4 FONCTIONNEMENT

#### **i** IMPORTANT

Avant d'utiliser la machine, vous devez lire et comprendre toutes les instructions de fonctionnement et les règles de sécurité.

#### **▲** AVERTISSEMENT

Utilisez la machine prudemment.

### 4.1 DÉMARRAGE DE LA MACHINE

Figure 7.

1. Appuyez sur le bouton de déverrouillage et tirez sur la gâchette.

### 4.2 ARRÊT DE LA MACHINE

Figure 7.

1. Relâchez la gâchette pour arrêter la machine.

### 4.3 CONSEILS D'UTILISATION

Figure 8.

#### **▲** AVERTISSEMENT

Maintenez un dégagement entre le corps et la machine.

## ▲ AVERTISSEMENT

N'utilisez pas la machine si elle a été endommagée sans la protection en place.

### Conseils d'usage de la machine

- Maintenez la machine connectée au harnais correctement porté.
- Maintenez une prise ferme des deux mains sur la machine pendant son utilisation.
- Coupez l'herbe haute de haut en bas.

### Si l'herbe s'enroule autour de la tête de coupe-bordure :

- Retirez le pack-batterie.
- Retirez l'herbe.

## 4.4 CONSEILS DE COUPE

Figure 9.

- Inclinez la machine vers la zone à couper. Utilisez la pointe de la ligne de coupe pour tailler l'herbe.
- Déplacez la machine à droite et à gauche pour éviter de projeter des débris en direction de l'opérateur.
- Ne coupez pas dans les zones dangereuses.
- Ne forcez pas la tête de coupe-bordure dans l'herbe non coupée.
- Fils métalliques et piquets de clôture sont une source d'usure et de casse de la ligne de coupe. Les murs en pierre et en briques, les trottoirs et le bois peuvent user la ligne de coupe très vite.

## 4.5 AJUSTEMENT DE LONGUEUR DE LIGNE DE COUPE

Figure 10.

Pendant que vous utilisez cette machine, la ligne de coupe s'use et raccourcit. Vous pouvez ajuster la longueur de la ligne de coupe.

1. Frappez la tête de coupe-bordure contre le sol pendant que vous utilisez la machine.
2. La ligne est automatiquement libérée et la lame de coupe élimine l'excès.

## 4.6 AJUSTEMENT DE DIAMÈTRE DE COUPE

Figure 11.

## i REMARQUE

La machine est réglée sur un diamètre de coupe de 356 mm. Vous pouvez l'ajuster sur un diamètre de coupe de 406 mm.

Réglez un diamètre de coupe de 356 mm pour travailler plus longtemps ou de 406 mm pour une zone de coupe plus importante.

1. Retirez le pack-batterie.
2. Retirez les vis de lame de la lame de coupe.
3. Tournez la lame de coupe à 180°.
4. Serrez les vis de lame.

## 4.7 LAME DE COUPE DE LIGNE

Figure 11.

Ce coupe-bordure est doté d'une lame de coupe de ligne sur la protection. La lame de coupe de ligne taille en continu la ligne pour assurer un diamètre de coupe efficient et constant. Faites avancer la ligne dès que vous entendez le moteur fonctionner plus vite que la normale ou si l'efficacité de la taille diminue. Vous préservez ainsi des performances optimales tout en assurant une ligne suffisamment longue pour progresser correctement.

## 5 MAINTENANCE

### i IMPORTANT

Vous devez lire et comprendre les règles de sécurité et les instructions de maintenance avant d'exécuter des travaux de nettoyage, de réparation ou de maintenance sur la machine.

### i IMPORTANT

Assurez-vous que tous les écrous, boulons et vis sont serrés. Vérifiez régulièrement que les poignées sont fermement en place.

### i IMPORTANT

Utilisez uniquement des pièces de remplacement et accessoires du fabricant d'origine.

## 5.1 INFORMATIONS GÉNÉRALES

### i IMPORTANT

Seul votre revendeur ou un centre d'entretien agréé peut se charger de la maintenance qui n'est pas couverte dans ce manuel.

Avant les opérations de maintenance :

- Arrêtez la machine.
- Retirez le pack-batterie.

- Laissez refroidir le moteur.
- Rangez la machine dans un endroit frais et sec.
- Utilisez des vêtements, des gants de protection et des lunettes de sécurité appropriés.

## 5.2 NETTOYEZ LA MACHINE

- Nettoyez la machine après chaque usage avec chiffon humide imbibé de détergent neutre.
- N'utilisez pas de détergents ou solvants agressifs de type lave-vitre pour nettoyer les poignées ou les pièces en plastique.
- Débarrassez la tête de coupe-bordure de l'herbe, des feuilles et de l'excès de graisse.
- Maintenez les aérations propres et sans débris pour éviter une surchauffe et des dommages du moteur.
- Ne pulvérisez pas d'eau sur le moteur et les composants électriques.

## 5.3 REMPLACEMENT DE BOBINE

Figure 12 - 20.

1. Poussez les languettes sur les côtés de la tête de coupe-bordure, simultanément.
2. Tirez et retirez le cache de bobine.
3. Retirez la bobine restée en place.
4. Placez la bobine dans le cache de bobine.

### i REMARQUE

Assurez-vous que la ligne de coupe est dans la fente sur la nouvelle bobine et étendue d'environ 15 cm avant d'installer la nouvelle bobine.

5. Placez les bouts des lignes de coupe ans les orifices.
6. Étendez la ligne de coupe pour la libérer de la fente de guidage dans la bobine.
7. Installez la bobine et son cache sur la tête de coupe-bordure.
8. Poussez le cache de bobine pour qu'il s'enclenche.

## 5.4 REMPLACEMENT DE LIGNE DE COUPE

Figure 14 - 16.

### i REMARQUE

Retirez le résidu de ligne de coupe dans la bobine.

### i REMARQUE

Utilisez uniquement de la ligne de coupe en nylon d'un diamètre de 2 mm .

1. Coupez un morceau de ligne de coupe d'environ 3 m de long.

2. Courbez la ligne à mi-distance et passez la boucle dans la fente au centre de la bobine. Assurez-vous que la ligne s'enfile dans la fente.
3. Avec vos doigts entre les lignes, enrroulez les lignes également et fermement autour de la bobine dans le sens indiqué.
4. Placez les lignes dans les fentes de guidage.
5. N'enroulez pas les lignes au-delà du bord de la bobine.

## 5.5 ASSEMBLAGE DE TÊTE DE COUPE-BORDURE

Figure 21.

1. Placez correctement l'espaceur sur l'arbre.
2. Attachez l'écrou bagué intérieur sur la ventouse intérieure dans le sens indiqué.
3. Assurez-vous que les rainures dans l'écrou bagué intérieur s'alignent parfaitement avec ceux de la transmission angulaire.
4. Placez la clé dans l'orifice de transmission angulaire spécifié.
5. Tournez la tête de coupe-bordure et poussez la clé pour qu'elle engage l'orifice d'écrou bagué intérieur afin de bloquer la rotation.
6. Assemblez la tête de coupe-bordure.
7. Tournez la tête de coupe-bordure dans le sens antihoraire pour la serrer.
8. Retirez la clé.

### i IMPORTANT

Vous devez installer la lame de coupe lorsque vous utilisez la tête de coupe-bordure.

## 5.6 RETRAIT DE LA TÊTE DE TAILLE-HAIE

Figure 21.

1. Placez la clé dans l'orifice de transmission angulaire spécifié.
2. Tournez la tête de coupe-bordure et poussez la clé pour qu'elle engage l'orifice d'écrou bagué intérieur afin de bloquer la rotation.
3. Tournez la tête de coupe-bordure dans le sens horaire pour la desserrer. Ne retirez l'espaceur de l'arbre.

## 5.7 REMPLACEMENT DE MOLETTE DE SECOUSSE

Figure 13.

1. Poussez les languettes sur les côtés de la tête de coupe-bordure, simultanément.
2. Tirez et retirez le cache de bobine.

- Retirez la bobine.
- Maintenez la molette de secousse et faites levier avec une tige métallique (non fournie).
- Placez la nouvelle molette de secousse dans le logement de bobine.

## 5.8 ASSEMBLAGE DE DÉBROUSSAILLEUSE

Figure 22 - 23.

### ▲ AVERTISSEMENT

Portez des gants et faites attention aux bords coupants.

### ▲ AVERTISSEMENT

Appliquez la protection sur la lame.

- Placez correctement l'espaceur sur l'arbre.
- Attachez l'écrou bagué intérieur sur la ventouse intérieure dans le sens indiqué.
- Assurez-vous que les rainures dans l'écrou bagué intérieur s'alignent parfaitement avec ceux de la transmission angulaire.
- Attachez la lame et l'écrou bagué extérieur avec la partie plate face à la lame.
- Attachez la ventouse extérieure sans serrer l'écrou.
- Placez la clé dans l'orifice de transmission angulaire spécifié.
- Tournez la lame et poussez la clé pour que la lame s'ajuste dans l'orifice d'écrou bagué intérieur afin de bloquer la rotation.
- Serrez l'écrou dans le sens antihoraire avec une clé de 19 mm ou 3/4 in. (44/58 Nm).

## 5.9 RETRAIT DE DÉBROUSSAILLEUSE

Figure 22 - 23.

### ▲ AVERTISSEMENT

Appliquez la protection sur la lame.

- Placez la clé dans l'orifice de transmission angulaire spécifié.
- Tournez la lame et poussez la clé pour qu'elle engage l'orifice d'écrou bagué intérieur afin de bloquer la rotation.
- Desserrez l'écrou dans le sens horaire et retirez la ventouse extérieure.
- Retirez l'écrou bagué extérieur, la lame, la ventouse intérieure et l'écrou bagué intérieur. Ne retirez l'espaceur de l'arbre.

## 6 TRANSPORT ET STOCKAGE

### 6.1 DÉPLACEMENT DE LA MACHINE

Points impératifs pour déplacer la machine :

- Portez des gants.
- Arrêtez la machine.
- Retrait de la batterie.
- Assemblez la protection de lame.

### 6.2 STOCKAGE DE LA MACHINE

- Retirez le pack-batterie de la machine et chargez-le.
- Assurez-vous que les enfants ne peuvent pas s'approcher de la machine.
- Maintenez la machine à l'écart des agents corrosifs comme les produits chimiques de jardinage et les sels de déneigement.
- Arrimez la machine durant le transport pour éviter tout dommage et blessure. Nettoyez la machine et vérifiez l'absence de dommage.

## 7 DÉPANNAGE

Problème	Cause possible	Solution
La machine ne démarre pas lorsque vous appuyez sur la gâchette.	Aucun contact électrique entre la machine et le pack-batterie.	1. Retirez le pack-batterie. 2. Vérifiez le contact et remettez le pack-batterie.
	Le pack-batterie est vide.	Chargez la batterie.
	Le bouton de déverrouillage et la gâchette ne sont pas actionnés en même temps.	1. Tirez le bouton de déverrouillage sans le relâcher. 2. Tirez la gâchette pour démarrer la machine.

Problème	Cause possible	Solution
La machine s'arrête pendant la coupe.	La protection n'est pas fixée sur la machine.	Retirez le pack-batterie et fixez à nouveau la protection sur la machine.
	Ligne de coupe lourde utilisée.	Utilisez uniquement de la ligne de coupe en nylon d'un diamètre de 2 mm .
	L'herbe s'enroule autour de l'arbre de moteur ou la tête de coupe-bordure.	1. Arrêtez la machine. 2. Retirez le pack-batterie. 3. Retirez l'herbe de l'arbre de moteur ou de la tête de coupe-bordure.
	Le moteur est surchargé.	1. Retirez la tête de coupe-bordure de l'herbe. 2. Le moteur reprend le travail dès que la charge est éliminée. 3. Pendant la coupe, faites entrer et sortir la tête de coupe-bordure de l'herbe à couper et ne coupez pas plus de 20 cm à chaque passage.
	La machine ou le pack-batterie est trop chaud.	1. Laissez refroidir le pack-batterie pour qu'il puisse reprendre son fonctionnement normal. 2. Laissez refroidir la machine environ 10 minutes.
	Le pack-batterie est déconnecté de l'outil.	Installez le pack-batterie à nouveau.
	Le pack-batterie est vide.	Chargez la batterie.

Problème	Cause possible	Solution
La ligne ne s'étend pas.	Les lignes sont soudées ensemble.	Lubrifiez avec une pulvérisation silicone.
	Ligne insuffisante dans la bobine.	Installez plus de ligne.
	Les lignes sont usées ou trop courtes.	Étendez la ligne.
	Les lignes sont enchevêtrées sur la bobine.	1. Retirez les lignes de la bobine. 2. Enroulez les lignes.
La ligne freine sans cesse.	La machine est mal utilisée.	1. Coupez avec la pointe de la ligne tout en évitant les pierres, murs et autres objets durs. 2. Faites avancer la ligne de coupe régulièrement pour préserver la largeur de coupe totale.
L'herbe s'enroule autour de la tête de coupe-bordure et du boîtier du moteur.	Coupez l'herbe haute au niveau du sol.	1. Coupez l'herbe haute de haut en bas. 2. Ne retirez pas plus de 20 cm à chaque passage pour éviter tout enroulement.
La ligne coupe mal.	La lame de coupe est émoussée.	Affûtez la lame de coupe avec une lime ou remplacez-la.
La vibration augmente manifestement.	La ligne est usée d'un côté et ne s'étend pas à temps.	Assurez-vous que les lignes des deux côtés sont égales. Étendez la ligne.

## 8 DONNÉES TECHNIQUES

Tension	40 V
Vitesse à vide	6300 ±10%tr/min (Coupe-bordure), 6800±10%tr/min (Débroussailluse)
Tête de coupe	Alimentation par secousse /Lame de débroussailluse
Diamètre de ligne de coupe	2 mm

Diamètre de voie de coupe	356/406mm (Coupe-bordure), 254mm (Débroussaileuse)	
Poids (sans pack-batterie)	4.5 kg	
Modèle de batterie	G40B2/G40B25/G40B4 et autre séries BAF	
Modèle de chargeur	G40C et autre séries CAF	
Tondeuse à gazon	Niveau de pression acoustique mesuré	$L_{PA}=78.4 \text{ dB(A)}$ , $K_{PA}=3 \text{ dB(A)}$
	Niveau de puissance acoustique garanti	$L_{WA,d}=96 \text{ dB(A)}$
	Vibration	$<2.5 \text{ m/s}^2$ , $k=1.5 \text{ m/s}^2$
Débroussaileuse	Niveau de pression acoustique mesuré	$L_{PA}=82.8 \text{ dB(A)}$ , $K=3 \text{ dB(A)}$
	Niveau de puissance acoustique garanti	$L_{WA,d}=101 \text{ dB(A)}$
	Vibration	$<2.5 \text{ m/s}^2$ , $k=1.5 \text{ m/s}^2$



96 dB. Valeur acoustique. (Tondeuse à gazon)

101 dB. Valeur acoustique. (Débroussaileuse)

## 9 GARANTIE

(Les conditions générales complètes de la garantie se trouvent sur le site web de Greenworks [www.greenworkstools.eu](http://www.greenworkstools.eu))

La garantie Greenworks est de 3 ans sur le produit et de 2 ans sur les batteries (usage de consommateur / privé) à compter de la date d'achat. Cette garantie couvre les défauts de fabrication. Un produit défectueux sous garantie peut être réparé ou remplacé. La garantie d'une unité qui a fait l'objet d'abus ou d'un usage différent de celui décrit dans le manuel du propriétaire peut être refusée. L'usure normale et les pièces d'usure ne sont pas couvertes par la garantie. La garantie du fabricant d'origine n'est pas affectée par toute garantie supplémentaire offerte par un distributeur ou un revendeur.

Un produit défectueux doit être retourné au point d'achat, accompagné de sa preuve d'achat (reçu), afin de prétendre à la garantie.

## 10 DÉCLARATION DE CONFORMITÉ CE

Nom et adresse du fabricant :

Nom : GLOBGRO AB  
Globe Group Europe

Adresse : Riggaregatan 53, 211 13 Malmö, Suède

Nom et adresse de la personne autorisée à compiler le dossier technique :

Nom : Micael Johansson

Adresse : Riggaregatan 53, 211 13 Malmö, Suède

Nous déclarons ici que le produit

Catégorie : Coupe-bordure filaire /Débroussaileuse

Modèle : 2105707(STF457)

Numéro de série : Voir étiquette de caractéristiques du produit

Année de construction : Voir étiquette de caractéristiques du produit

- est en conformité avec les dispositions pertinentes de la Directive Machine 2006/42/CE.
- est en conformité avec les dispositions des autres Directives CE suivantes :
  - 2014/30/UE
  - 2000/14/CE & 2005/88/CE
  - 2011/65/UE & 2015/863/UE

En outre, nous déclarons que les parties /clauses suivantes des normes harmonisées ont été appliquées :

- EN 60335-1; EN 50636-2-91; EN 62233; EN 55014-1; EN 55014-2 ; EN ISO 3744; EN ISO 3744; ISO 11094; EN ISO 11806-1; IEC 62321-7-2; IEC 62321-4; IEC 62321-5; IEC 62321-6; IEC 62321-7-1; IEC 62321-8; IEC 62321-3-1.

Méthode d'appréciation de la conformité selon l'Annexe VI/ Directive 2000/14/CE.

Coupe-bordure filaire

Niveau de puissance acoustique mesuré :  $L_{WA} : 93.3 \text{ dB(A)}$

Niveau de puissance acoustique garanti :  $L_{WA,d} : 96 \text{ dB(A)}$

Débroussaileuse

Niveau de puissance  
acoustique mesuré :  $L_{WA}$  : 97.3 dB(A)

Niveau de puissance  
acoustique garanti :  $L_{WA,d}$  : 101 dB(A)

Lieu et date : Signature : Ted Qu, Directeur  
Qualité

Malmö, 7.28.2021

Ted Qu



<b>1</b>	<b>Descrição.....</b>	<b>48</b>	<b>5</b>	<b>Manutenção.....</b>	<b>50</b>
1.1	Intuito.....	48	5.1	Informação geral.....	50
1.2	Vista pormenorizada.....	48	5.2	Limpar a máquina.....	50
<b>2</b>	<b>Segurança.....</b>	<b>48</b>	5.3	Substituir a bobina.....	50
<b>3</b>	<b>Instalação.....</b>	<b>48</b>	5.4	Substituir o fio de corte.....	51
3.1	Retirar a máquina da caixa.....	48	5.5	Montar a cabeça da roçadora.....	51
3.2	Fixar a proteção.....	48	5.6	Retirar a cabeça da roçadora.....	51
3.3	Montagem do eixo.....	49	5.7	Substituir o manípulo de impacto.....	51
3.4	Fixe a pega auxiliar.....	49	5.8	Montar a moto-roçadora.....	51
3.5	Usar a alça para o ombro.....	49	5.9	Retirar a moto-roçadora.....	52
3.6	Instalar a bateria.....	49	<b>6</b>	<b>Transporte e armazenamento..</b>	<b>52</b>
3.7	Retirar a bateria.....	49	6.1	Mover a máquina.....	52
<b>4</b>	<b>Funcionamento.....</b>	<b>49</b>	6.2	Guardar a máquina.....	52
4.1	Ligar a máquina.....	49	<b>7</b>	<b>Resolução de Problemas.....</b>	<b>52</b>
4.2	Parar a máquina.....	49	<b>8</b>	<b>Informação técnica.....</b>	<b>53</b>
4.3	Dicas de funcionamento.....	49	<b>9</b>	<b>Garantia.....</b>	<b>54</b>
4.4	Dicas de corte.....	50	<b>10</b>	<b>Declaração de Conformidade</b>	
4.5	Ajustar o comprimento do fio de corte.....	50	<b>CE.....</b>	<b>54</b>	
4.6	Ajustar o diâmetro de corte.....	50			
4.7	Lâmina de corte do fio.....	50			

## 1 DESCRIÇÃO

### 1.1 INTUITO

Esta máquina é usada para cortar relva, ervas pequenas e outra vegetação semelhante numa superfície nivelada. O nível de corte deve estar aproximadamente paralelo ao chão. Não pode usar a máquina para cortar sebes, arbustos, flores e adubo.

### 1.2 VISTA PORMENORIZADA

Imagem 1 - 23.

- 1 Gatilho
- 2 Botão de desbloqueio
- 3 Eixo superior
- 4 Pega auxiliar
- 5 Eixo inferior
- 6 Proteção
- 7 Lâmina de corte
- 8 Cabeça da roçadora
- 9 Tampa de proteção
- 10 Lâmina
- 11 Botão de libertação
- 12 Orifício de posicionamento
- 13 Chave sextavada
- 14 Manipulo central
- 15 Tampa
- 16 Suporte inferior
- 17 Cobertura da bobina
- 18 Bobina
- 19 Aba
- 20 Orifício do fio
- 21 Chave
- 22 Porca
- 23 Cilindro exterior
- 24 Porca do anel exterior
- 25 Cilindro interior
- 26 Orifício da transmissão angular
- 27 Manipulo de impacto
- A Direção de rotação
- B Melhor área de corte
- C Área de corte perigosa

## 2 SEGURANÇA

### ▲ AVISO

Certifique-se de que segue todas as instruções de segurança.

Consulte o manual de segurança.

## 3 INSTALAÇÃO

### ▲ AVISO

Retire a bateria da máquina antes da instalação.

### ▲ AVISO

Nunca use acessórios que não sejam recomendados para esta máquina.

### 3.1 RETIRAR A MÁQUINA DA CAIXA

#### ▲ AVISO

Certifique-se de que monta corretamente a máquina antes da utilização.

#### ▲ AVISO

- Se houver peças danificadas, não use a máquina.
- Se houver peças em falta, não use a máquina.
- Se houver peças danificadas ou em falta, contacte o centro de reparação.

1. Abra a caixa.
2. Leia a documentação fornecida na caixa.
3. Retire todas as peças desmontadas da caixa.
4. Retire a máquina da caixa.
5. Elimine a caixa e o material de empacotamento de acordo com as normas locais.

#### ▲ AVISO

Para sua segurança pessoal, não insira a bateria antes de ter montado a ferramenta por completo.

### 3.2 FIXAR A PROTEÇÃO

Imagem 2.

#### ▲ AVISO

Não toque na lâmina de corte.

1. Retire os parafusos da cabeça da roçadora com uma chave de estrelas (não fornecida).
2. Volte a instalar a proteção na cabeça da roçadora.
3. Alinhe os orifícios dos parafusos na proteção com os orifícios dos parafusos na cabeça da roçadora.
4. Aperte os parafusos.
5. Coloque a tampa de proteção na proteção.
6. Alinhe os orifícios dos parafusos na tampa de proteção com os orifícios dos parafusos na proteção.
7. Aperte os parafusos.

## 3.3 MONTAGEM DO EIXO

Imagem 3.

1. Desaperte o parafuso do acoplador.
2. Pressione o botão de libertação no eixo inferior.
3. Alinhe o botão de libertação com o orifício de posicionamento e faça deslizar os dois eixos.
4. Rode o eixo inferior até que o botão fique fixado no orifício de posicionamento.

### **i** NOTA

O botão de libertação tem de ser fixado no orifício de posicionamento. Usar o orifício errado pode dar origem a ferimentos ou danos na unidade.

5. Aperte o parafuso com a chave sextavada.

## 3.4 FIXE A PEGA AUXILIAR.

Imagem 4.

1. Desaperte o manípulo central.
2. Retire a tampa e o suporte inferior.

### **i** NOTA

Não perca a mola no suporte.

3. Coloque a pega auxiliar no suporte inferior.
4. Coloque a tampa no suporte inferior.
5. Coloque todo o bloco na estrutura no eixo.
6. Coloque a pega auxiliar numa posição confortável.
7. Fixe a pega auxiliar com o manípulo central.

## 3.5 USAR A ALÇA PARA O OMBRO

Imagem 5.

1. Fixe o mosquetão no anel de transporte na haste.
2. Coloque a alça para o ombro.
3. Ajuste o comprimento da alça, de modo a que o mosquetão fique com a largura de uma mão por baixo do lado direito da sua anca.

## 3.6 INSTALAR A BATERIA

Imagem 6.

### **▲** AVISO

- Se a bateria ou carregador estiver danificado, proceda à sua substituição.
- Pare a máquina e espere que o motor pare por completo antes de instalar ou retirar a bateria.
- Leia, compreenda e siga as instruções no manual da bateria e do carregador.

1. Alinhe as nervuras salientes da bateria com as ranhuras no compartimento da bateria.

2. Pressione a bateria para o respetivo compartimento, até ficar fixada no lugar.
3. Quando ouvir um clique, significa que a bateria está instalada.

## 3.7 RETIRAR A BATERIA

Imagem 6.

1. Prima e mantenha premido o botão de libertação da bateria.
2. Retire a bateria da máquina.

## 4 FUNCIONAMENTO

### **i** IMPORTANTE

Antes de utilizar a máquina, leia e compreenda as normas de segurança e as instruções de funcionamento.

### **▲** AVISO

Tenha cuidado quando utilizar a máquina.

## 4.1 LIGAR A MÁQUINA

Imagem 7.

1. Prima o botão de fixação e aperte o gatilho.

## 4.2 PARAR A MÁQUINA

Imagem 7.

1. Deixe de premir o gatilho para parar a máquina.

## 4.3 DICAS DE FUNCIONAMENTO

Imagem 8.

### **▲** AVISO

Mantenha um espaço entre o corpo e a máquina.

### **▲** AVISO

Não use a máquina sem as proteções no lugar.

**Siga estas dicas quando usar a máquina**

- Mantenha a máquina ligada no arnês devidamente posto.
- Segure bem a máquina com ambas as mãos enquanto a utiliza.
- Corte erva alta de cima para baixo.

**Se a erva se enrolar em torno da cabeça da roçadora:**

- Retire a bateria.
- Retire a erva.

## 4.4 DICAS DE CORTE

Imagem 9.

- Incline a máquina na direção da área a cortar. Use a ponta do fio de corte para cortar a erva.
- Mova a máquina da esquerda para a direita para evitar que resíduos voem na direção do operador.
- Não corte em áreas perigosas.
- Não force a roçadora contra erva não cortada.
- Vedações de arame ou estacas causam um maior desgaste no fio de corte, ou mesmo quebras. Paredes de pedra ou tijolo, bordas de passeio em lancil ou madeira podem desgastar rapidamente o fio de corte.

## 4.5 AJUSTAR O COMPRIMENTO DO FIO DE CORTE

Imagem 10.

Enquanto utiliza a máquina, o fio de corte fica gasto e mais curto. Pode ajustar o comprimento do fio de corte.

1. Bata com a cabeça da roçadora contra o chão enquanto utiliza a máquina.
2. A linha é libertada automaticamente e a lâmina de corte corta o excesso.

## 4.6 AJUSTAR O DIÂMETRO DE CORTE

Imagem 11.

### **i** NOTA

A máquina vem configurada com um 356 mm diâmetro de corte. Pode ajustar um 406 mm diâmetro de corte.

Defina o diâmetro de corte para 356 mm um maior tempo de funcionamento e 406 mm uma maior área de corte.

1. Retire a bateria.
2. Retire os parafusos da lâmina de corte.
3. Rode a lâmina de corte 180°.
4. Aperte os parafusos da lâmina.

## 4.7 LÂMINA DE CORTE DO FIO

Imagem 11.

Esta roçadora está equipada com uma lâmina de corte do fio na proteção. A lâmina de corte do fio corta continuamente o fio para garantir um diâmetro de corte consistente e eficiente. Faça avançar o fio quando reparar que o motor está a trabalhar mais rapidamente que o habitual, ou quando a eficiência de corte diminuir. Isto mantém um ótimo desempenho e o fio terá o comprimento suficiente para avançar devidamente.

## 5 MANUTENÇÃO

### **i** IMPORTANTE

Leia e compreenda as normas de segurança e as instruções de manutenção antes de limpar, reparar ou efetuar trabalhos de manutenção na máquina.

### **i** IMPORTANTE

Certifique-se de que todas as porcas e parafusos estão bem apertados. Certifique-se regularmente de que instalou corretamente as pegas.

### **i** IMPORTANTE

Use apenas peças de substituição e acessórios do fabricante.

## 5.1 INFORMAÇÃO GERAL

### **i** IMPORTANTE

Apenas o seu revendedor ou o centro de reparação aprovado podem efetuar a manutenção que não é apresentada no manual.

Antes das operações de manutenção:

- Pare a máquina.
- Retire a bateria.
- Arrefeça o motor.
- Guarde a máquina num local fresco e seco.
- Use roupa adequada, luvas de proteção e óculos de segurança.

## 5.2 LIMPAR A MÁQUINA

- Limpe a máquina após a utilização com um pano ligeiramente embebido em água e detergente neutro.
- Não use detergentes agressivos nem solventes, como produto de limpeza para vidros, para limpar as peças de plástico ou pegas.
- Mantenha a cabeça da roçadora sem erva, folhas ou lubrificação excessiva.
- Mantenha os orifícios de ventilação do ar limpos e sem lixo, para evitar o sobreaquecimento e danos no motor.
- Não pulverize água para o motor nem para os componentes elétricos.

## 5.3 SUBSTITUIR A BOBINA

Imagem 12 - 20.

1. Pressione em simultâneo as abas nas partes laterais da cabeça da roçadora.
2. Puxe e retire a cobertura da bobina.
3. Retire a bobina antiga.

- Volte a colocar a bobina na cobertura da bobina.

## **i** NOTA

Certifique-se de que o fio de corte se encontra na ranhura na nova bobina e que está esticado um máximo de 15 cm antes de instalar a nova bobina.

- Passe as extremidades dos fios de corte através dos orifícios.
- Estique o fio de corte para o libertar da ranhura de orientação na bobina.
- Instale a bobina e a cobertura da bobina na cabeça da roçadora.
- Pressione a cobertura da bobina até ouvir um clique.

## 5.4 SUBSTITUIR O FIO DE CORTE

*Imagem 14 - 16.*

## **i** NOTA

Retire o resto do fio de corte da bobina.

## **i** NOTA

Use apenas fio de corte de nylon com 2 mm diâmetro.

- Corte um pedaço de fio de corte com cerca de 3 m de comprimento.
- Dobre o fio a meio e fixe o arco na ranhura no rebordo central da bobina. Certifique-se de que a linha fica na respetiva posição na ranhura.
- Com o dedo entre os fios, enrole os fios uniformemente e bem apertados em redor da bobina na direção indicada.
- Coloque os fios nas ranhuras de orientação.
- Não enrole os fios para além da extremidade da bobina.

## 5.5 MONTAR A CABEÇA DA ROÇADORA

*Imagem 21.*

- Coloque o espaçador corretamente no eixo.
- Fixe a porca do anel interior no cilindro interior na direção indicada.
- Certifique-se de que as ranhuras da porca do anel interior ficam perfeitamente alinhadas com as da transmissão angular.
- Coloque a chave no orifício da transmissão angular especificado.
- Rode a cabeça da roçadora e pressione a chave até ficar fixada no orifício da porca do anel, bloqueando a rotação.
- Monte a cabeça da roçadora.

- Rode a cabeça da roçadora no sentido inverso aos dos ponteiros do relógio para a apertar.
- Retire a chave.

## **i** IMPORTANTE

Tem de instalar a lâmina de corte quando usar a cabeça da roçadora.

## 5.6 RETIRAR A CABEÇA DA ROÇADORA

*Imagem 21.*

- Coloque a chave no orifício da transmissão angular especificado.
- Rode a cabeça da roçadora e pressione a chave até ficar fixada no orifício da porca do anel, bloqueando a rotação.
- Rode a cabeça da roçadora no sentido dos ponteiros do relógio para a desapertar. Não retire o espaçador do eixo.

## 5.7 SUBSTITUIR O MANÍPULO DE IMPACTO

*Imagem 13.*

- Pressione em simultâneo as abas nas partes laterais da cabeça da roçadora.
- Puxe e retire a cobertura da bobina.
- Retire a bobina.
- Segure o manípulo de impacto e liberte-o com uma haste de metal (não fornecida).
- Coloque o novo manípulo de impacto na estrutura da bobina.

## 5.8 MONTAR A MOTO-ROÇADORA

*Imagem 22 - 23.*

## **▲** AVISO

Use luvas e tenha cuidado com as extremidades afiadas.

## **▲** AVISO

Coloque a proteção na lâmina.

- Coloque o espaçador corretamente no eixo.
- Fixe a porca do anel interior no cilindro interior na direção indicada.
- Certifique-se de que as ranhuras da porca do anel interior ficam perfeitamente alinhadas com as da transmissão angular.
- Fixe a lâmina e a porca do anel exterior com a parte plana virada para a lâmina.
- Fixe o cilindro exterior com a porca de aperto.

6. Coloque a chave no orifício da transmissão angular especificado.
7. Rode a lâmina e pressione a chave até que a lâmina encaixe no orifício da porca do anel interior, bloqueando a rotação.
8. Aperte a porca no sentido inverso ao dos ponteiros do relógio com uma chave de 19 mm ou 3/4" (44/58 Nm).

## 5.9 RETIRAR A MOTO-ROÇADORA

Imagem 22 - 23.

### ▲ AVISO

Coloque a proteção na lâmina.

1. Coloque a chave no orifício da transmissão angular especificado.
2. Rode a lâmina e pressione a chave até ficar fixada no orifício da porca do anel interior, bloqueando a rotação.
3. Desaperte a porca no sentido dos ponteiros do relógio e retire o cilindro exterior.
4. Retire a porca do anel exterior, cilindro interior e porca do anel interior. Não retire o espaçador do eixo.

## 6 TRANSPORTE E ARMAZENAMENTO

### 6.1 MOVER A MÁQUINA

Quando mover a máquina, tem de:

- Usar luvas.
- Parar a máquina.
- Retirar a bateria.
- Montar a proteção da lâmina.

### 6.2 GUARDAR A MÁQUINA

- Retire a bateria da máquina e carregue-a.
- Certifique-se de que as crianças não se conseguem aproximar da máquina.
- Mantenha a máquina afastada de agentes corrosivos, como químicos de jardim e sais para eliminar o gelo.
- Fixe a máquina durante o transporte, para evitar danos ou ferimentos. Limpe e examine a máquina quanto a danos.

## 7 RESOLUÇÃO DE PROBLEMAS

Problema	Causa provável	Solução
A máquina não arranca quando pressiona o gatilho.	Não existe contacto elétrico entre a máquina e a bateria.	1. Retire a bateria. 2. Verifique o contacto e instale de novo a bateria.
	A bateria está gasta.	Carregue a bateria.
	O botão de desbloqueio e o gatilho não foram premidos em simultâneo.	1. Puxe o botão de desbloqueio e mantenha-o puxado. 2. Puxe o gatilho para ligar a máquina.

Problema	Causa provável	Solução
A máquina pára quando está a efetuar o corte.	A proteção não foi colocada na máquina.	Retire a bateria e fixe a proteção na máquina.
	Está a usar um fio de corte muito pesado.	Use apenas fio de corte de nylon com 2 mm diâmetro.
	A erva enrola-se à volta do eixo do motor ou da cabeça da roçadora.	1. Pare a máquina. 2. Retire a bateria. 3. Retire a erva do eixo do motor e da cabeça da roçadora.
	O motor está sobrecarregado.	1. Retire a cabeça da roçadora da erva. 2. O motor volta a funcionar mal a carga seja retirada. 3. Quando cortar, mova a cabeça da roçadora para um lado e para o outro na erva a ser cortada e nunca retire mais de 20 cm num único corte.
	A bateria ou a máquina está muito quente.	1. Arrefeça a bateria até que o funcionamento volte ao normal. 2. Deixe a máquina arrefecer durante cerca de 10 minutos.
A bateria foi retirada da ferramenta.	Volte a instalar a bateria.	
A bateria está gasta.	Carregue a bateria.	
O fio não avança.	Os fios estão soldados um ao outro.	Lubrifique com spray de silicone.
	O fio na bobina é insuficiente.	Instale mais fio.
	Os fios ficam muito curtos.	Avance o fio de corte.
	Os fios ficaram embrulhados na bobina.	1. Retire os fios da bobina. 2. Enrole os fios.

Problema	Causa provável	Solução
O fio parte constantemente.	A máquina é usada incorretamente.	1. Corte a ponta do fio, evite pedras, paredes e outros objetos duros.
		2. Avance regularmente o fio de corte, para manter a largura completa de corte.
A erva enrola-se à volta da cabeça da roçadora e da estrutura do motor.	Corte erva alta ao nível do solo.	1. Corte erva alta de cima para baixo. 2. Não retire mais de 20 cm de cada vez, para evitar que o fio se embulhe.
O fio não corta bem.	A lâmina de corte não está afiada.	Afie a lâmina de corte com uma lima, ou substitua-a.
A vibração aumenta notoriamente.	O fio está gasto de um lado e não avançou a tempo.	Certifique-se de que a linha em ambos os lados seja igual. Avance o fio.

## 8 INFORMAÇÃO TÉCNICA

Voltagem	40 V
Velocidade sem carga	6300 ±10%rpm (Roçadora de fio) , 6800±10%rpm (Moto-roçadora)
Cabeça de corte	Bater no chão / Lâmina da moto-roçadora
Diâmetro do fio de corte	2 mm
Diâmetro da área de corte	356/406mm (Roçadora de fio) 254mm (Moto-roçadora)
Peso (sem a bateria)	4.5 kg
Modelo da bateria	G40B2/G40B25/G40B4 e outras séries BAF
Modelo do carregador	G40C e outras séries CAF

Roçadora de fio	Nível de pressão do som medido	$L_{PA}=78.4 \text{ dB(A)}$ , $K_{PA}=3 \text{ dB(A)}$
	Nível de potência do som garantido	$L_{WA,d}=96 \text{ dB(A)}$
	Vibração	$<2.5 \text{ m/s}^2$ , $k=1.5 \text{ m/s}^2$
Moto-roçadora	Nível de pressão do som medido	$L_{PA}=82.8 \text{ dB(A)}$ , $K=3 \text{ dB(A)}$
	Nível de potência do som garantido	$L_{WA,d}=101 \text{ dB(A)}$
	Vibração	$<2.5 \text{ m/s}^2$ , $k=1.5 \text{ m/s}^2$



96 dB. Valor do ruído. (Roçadora de fio)

101 dB. Valor do ruído. (Moto-roçadora)

## 9 GARANTIA

(Os termos e condições da garantia pode ser encontrados na Greenworks página web [www.greenworkstools.eu](http://www.greenworkstools.eu))

A Greenworks garantia é de 3 anos sobre o produto, e 2 anos sobre as baterias (consumidor/uso privado) a partir da data da compra. Esta garantia abrange defeitos de fabrico. Um produto danificado ao abrigo da garantia pode ser reparado ou substituído. Uma unidade que tenha sido mal utilizada ou usada de outro modo para além do descrito no manual de utilização pode ser rejeitada para garantia. O desgaste normal e peças gastas não é considerado para a garantia. A garantia original do fabricante não é afetada por qualquer garantia adicional oferecida por um revendedor.

Um produto danificado tem de ser devolvido no local onde o comprou, de modo a pedir a ativação da garantia, juntamente com a prova de compra (recibo).

## 10 DECLARAÇÃO DE CONFORMIDADE CE

Nome e morada do fabricante:

Nome: GLOBGRO AB  
Globe Group Europe  
Morada: Riggaregatan 53, 211 13 Malmö, Suécia

Nome e morada da pessoa autorizada a compilar o ficheiro técnico:

Nome: Micael Johansson  
Morada: Riggaregatan 53, 211 13 Malmö, Suécia

Declaramos por este meio que o produto

Categoria: Roçadora de fio / Moto-roçadora  
Modelo: 2105707(STF457)  
Número de série: Consulte a etiqueta das especificações do produto  
Ano de fabrico: Consulte a etiqueta das especificações do produto

- Se encontra em conformidade com as provisões relevantes da Diretiva Máquinas 2006/42/CE.
- Se encontra em conformidade com as provisões das seguintes diretivas europeias:
  - 2014/30/UE
  - 2000/14/CE & 2005/88/CE
  - 2011/65/UE & (UE)2015/863

Além disso, declaramos que as seguintes normas harmonizadas (partes ou cláusulas) foram usadas:

- EN 60335-1; EN 50636-2-91; EN 62233; EN 55014-1; EN 55014-2; EN ISO 3744; EN ISO 3744; ISO 11094; EN ISO 11806-1; IEC 62321-7-2; IEC 62321-4; IEC 62321-5; IEC 62321-6; IEC 62321-7-1; IEC 62321-8; IEC 62321-3-1.

Método de avaliação da conformidade com o anexo VI, Diretiva 2000/14/CE.

Roçadora de fio

Nível de potência do som medido:  $L_{WA} : 93.3 \text{ dB(A)}$

Nível de potência do som garantido:  $L_{WA,d} : 96 \text{ dB(A)}$

Moto-roçadora

Nível de potência do som medido:  $L_{WA} : 97.3 \text{ dB(A)}$

Nível de potência do som garantido:  $L_{WA,d} : 101 \text{ dB(A)}$

Local, data: Assinatura: Ted Qu, Diretor da Qualidade

Malmö, 7.28.2021

Ted Qu





<b>1</b>	<b>Beschrijving.....</b>	<b>57</b>	4.7	Draad afsnijd-mes.....	59
1.1	Doel.....	57	<b>5</b>	<b>Onderhoud.....</b>	<b>59</b>
1.2	Overzicht.....	57	5.1	Algemene informatie.....	59
<b>2</b>	<b>Veiligheid.....</b>	<b>57</b>	5.2	Reinig het gereedschap.....	59
<b>3</b>	<b>Installatie.....</b>	<b>57</b>	5.3	De spoel vervangen.....	60
3.1	Uitpakken.....	57	5.4	Vervang de snijdraad.....	60
3.2	Bevestig de bescherming.....	57	5.5	Monteer de trimmerkop.....	60
3.3	Montage van de schacht.....	58	5.6	Verwijder de trimmerkop.....	60
3.4	Bevestig de ondersteunende greep.....	58	5.7	Vervang de aantikknop.....	60
3.5	De schouderriem gebruiken.....	58	5.8	Monteer de bosmaaier.....	60
3.6	Het accupack installeren.....	58	5.9	Verwijder de bosmaaier.....	61
3.7	Het accupack verwijderen.....	58	<b>6</b>	<b>Vervoer en opslag.....</b>	<b>61</b>
<b>4</b>	<b>Bediening.....</b>	<b>58</b>	6.1	De machine bewegen.....	61
4.1	Start het gereedschap.....	58	6.2	Opslag van het apparaat.....	61
4.2	Stop het gereedschap.....	58	<b>7</b>	<b>Probleemoplossing.....</b>	<b>61</b>
4.3	Gebruikstips.....	58	<b>8</b>	<b>Technische gegevens.....</b>	<b>62</b>
4.4	Snijtips.....	59	<b>9</b>	<b>Garantie.....</b>	<b>63</b>
4.5	Pas de lengte van de snijdraad aan.....	59	<b>10</b>	<b>EG conformiteitsverklaring.....</b>	<b>63</b>
4.6	Pas de snijddiameter aan.....	59			

## 1 BESCHRIJVING

### 1.1 DOEL

Dit gereedschap wordt gebruikt voor het maaien van gras, licht onkruid en andere soortgelijke vegetatie op of net boven het maaivlak. Het maaivlak moet ongeveer evenwijdig aan de grond zijn. U kunt het gereedschap niet gebruiken voor het snijden of hakken van heggen, struiken, bosjes, bloemen en compost.

### 1.2 OVERZICHT

Afbeelding 1 - 23.

- 1 Schakelaar
- 2 Vergrendelingsknop
- 3 Bovenste schacht
- 4 Ondersteunende greep
- 5 Onderste schacht
- 6 Scherm
- 7 Afsnijmes
- 8 Trimmerkop
- 9 Beschermkap
- 10 Mes
- 11 Ontgrendelingsknop
- 12 Positioneringsgat
- 13 Zeskantsleutel
- 14 Centrale knop
- 15 Kap
- 16 Onderste ondersteuning
- 17 Spoelafdekking
- 18 Spoel
- 19 Lipje
- 20 Draad uitgangsgat
- 21 Sleutel
- 22 Moer
- 23 Buitenste dop
- 24 Buitenste ringmoer
- 25 Binnenste dop
- 26 Hoek transmissiegat
- 27 Aantikknop
- A Rotatierichting
- B Beste snijgebied
- C Gevaarlijk snijgebied

## 2 VEILIGHEID

### ▲ WAARSCHUWING

Zorg ervoor dat u alle veiligheidsinstructies in acht neemt.

Raadpleeg het veiligheidshandboek.

## 3 INSTALLATIE

### ▲ WAARSCHUWING

Verwijder het accupack uit het gereedschap voordat u iets installeert.

### ▲ WAARSCHUWING

Gebruik geen accessoires die niet worden aanbevolen voor dit gereedschap.

### 3.1 UITPAKKEN

#### ▲ WAARSCHUWING

Zorg ervoor dat u het apparaat correct monteert voor gebruik.

#### ▲ WAARSCHUWING

- Gebruik het apparaat niet als onderdelen ervan beschadigd zijn.
- Als er onderdelen ontbreken, mag u het apparaat niet gebruiken.
- Als er onderdelen beschadigd zijn of ontbreken, neem dan contact op met het servicecentrum.

1. Open de verpakking.
2. Lees de documentatie die zich in de doos bevinden.
3. Haal de nog niet gemonteerde onderdelen uit de doos.
4. Haal het apparaat uit de doos.
5. Voer de doos en het verpakkingsmateriaal af in overeenstemming met de plaatselijke voorschriften.

#### ▲ WAARSCHUWING

Voor uw persoonlijke veiligheid, installeer de accu pas wanneer het apparaat volledig in elkaar is gezet.

### 3.2 BEVESTIG DE BESCHERMING

Afbeelding 2.

#### ▲ WAARSCHUWING

Raak het afsnijd-mes niet aan.

1. Verwijder de schroeven van de trimmerkop met behulp van een kruiskopschroevendraaier (niet inbegrepen).
2. Plaats de bescherming op de trimmerkop.
3. Lijn de schroefgaten op de bescherming uit met de schroefgaten op de trimmerkop.
4. Draai de schroeven vast.
5. Plaats de beschermkap op de bescherming.
6. Lijn de schroefgaten op de beschermkap uit met de schroefgaten op de bescherming.

7. Draai de schroeven vast.

## 3.3 MONTAGE VAN DE SCHACHT

*Afbeelding 3.*

1. Draai de schroef op de koppeling los.
2. Druk de ontgrendelingsknop op de onderste schacht in.
3. Breng de ontgrendelingsknop op één lijn met het positioneringsgat en schuif de twee schachten.
4. Draai de onderste schacht totdat de knop in het positioneringsgat klikt.

### **i** OPMERKING

De ontgrendelingsknop moet in het positioneringsgat worden vastgezet. Gebruik van het verkeerde gat kan leiden tot persoonlijk letsel of beschadiging van het apparaat.

5. Draai de schroef vast met de zeskantsleutel.

## 3.4 BEVESTIG DE ONDERSTEUNENDE GREEP

*Afbeelding 4.*

1. Maak de centrale knop los.
2. Verwijder de kap en de onderste ondersteuning.

### **i** OPMERKING

Mis de veer niet in de ondersteuning.

3. Plaats de extra handgreep in de onderste ondersteuning.
4. Plaats de kap op de onderste ondersteuning.
5. Plaats het hele blok in zijn behuizing op de schacht.
6. Zet de extra handgreep in de comfortabele positie.
7. Vergrendel de extra handgreep met de centrale knop.

## 3.5 DE SCHOUDERRIEM GEBRUIKEN

*Afbeelding 5.*

1. Bevestig de karabijnhaak aan de draagring aan de stok.
2. Doe de schouderriem om.
3. Pas de lengte van de riem aan zodat de karabijnhaak ongeveer een handbreedte onder uw rechterheup zit.

## 3.6 HET ACCUPACK INSTALLEREN

*Afbeelding 6.*

### **▲** WAARSCHUWING

- Als het accupack of de lader is beschadigd, dient u het accupack of de lader te vervangen.
- Stop het gereedschap en wacht tot de motor stopt voordat u het accupack installeert of verwijderd.
- Lees, ken en volg de instructies in de handleiding van de accu en de lader op.

1. Breng de staafjes op het accupack in één lijn met de groeven op het accuvak-compartiment.
2. Duw het accupack in het accuvak-compartiment totdat het accupack op zijn plek vergrendelt.
3. Als u een klik hoort, is het accupack geïnstalleerd.

## 3.7 HET ACCUPACK VERWIJDEREN

*Afbeelding 6.*

1. Houd de ontgrendelingsknop van het accupack ingedrukt.
2. Verwijder het accupack uit de machine.

## 4 BEDIENING

### **i** BELANGRIJK

Voordat u het gereedschap bedient, dient u eerst de veiligheidsinstructies en gebruiksaanwijzingen te lezen en begrijpen.

### **▲** WAARSCHUWING

Wees voorzichtig tijdens het gebruik van het gereedschap.

## 4.1 START HET GEREEDSCHAP

*Afbeelding 7.*

1. Druk op de vergrendelingsknop en druk op de schakelaar.

## 4.2 STOP HET GEREEDSCHAP

*Afbeelding 7.*

1. Laat de schakelaar los op het gereedschap te stoppen.

## 4.3 GEBRUIKSTIPS

*Afbeelding 8.*

### **▲** WAARSCHUWING

Houd speling tussen het lichaam en het gereedschap.

### **▲** WAARSCHUWING

Gebruik het gereedschap niet zonder gemonteerde bescherming.

## Voer deze tips uit wanneer u het gereedschap gebruikt

- Houd het gereedschap aangesloten op het correct gedragen harnas.
- Zorg voor een stevige grip met twee handen aan het gereedschap terwijl u het gereedschap gebruikt.
- Snijd hoog gras van boven naar beneden.

## Als zich gras rond de trimmerkop draait:

- Verwijder het accupack.
- Verwijder het gras.

## 4.4 SNIJTIPS

Afbeelding 9.

- Kantel het gereedschap in de richting van het te snijden bereik. Gebruik het uiteinde van de snijdraad om gras te maaien.
- Beweeg het gereedschap van rechts naar links om te voorkomen dat wegslingerend vuil naar de bediener wordt geslingerd.
- Snijd niet in gevaarlijke omgevingen.
- Forceer de trimmerkop niet in ongemeaad gras.
- Draad- en paalafsluitingen veroorzaken slijtage van de snijdraad en defecten. Stenen en bakstenen muren, stoepranden en hout kunnen voor een snelle slijtage van de snijdraad zorgen.

## 4.5 PAS DE LENGTE VAN DE SNIJDRAAD AAN

Afbeelding 10.

Terwijl u het gereedschap bedient, raakt de snijdraad versleten en korter. U kunt de lengte van de snijdraad aanpassen.

1. Tik de trimmerkop tegen de grond terwijl u het gereedschap bedient.
2. De draad wordt automatisch vrijgegeven en het afsnijdmes snijdt de overtollige lengte af.

## 4.6 PAS DE SNIJDIAMETER AAN

Afbeelding 11.

### i OPMERKING

Het gereedschap is ingesteld op een 356 mm snijddiameter. U kunt dit aanpassen op een 406 mm snijddiameter.

Stel de snijddiameter in op 356 mm voor een langere looptijd en 406 mm voor een groter snijgebied.

1. Verwijder het accupack.
2. Verwijder de schroeven van het afsnijdmes.
3. Draai het afsnijdmes 180°.
4. Draai de schroeven van het mes vast.

## 4.7 DRAAD AFSNIJD-MES

Afbeelding 11.

Deze trimmer is voorzien van een draad afsnijdmes op de beschermkap. Het draad afsnijdmes snijdt de draad voortdurend om te een consistente en efficiënte snijddiameter te waarborgen. Verleng de draad telkens als u de motor sneller dan normaal hoort draaien of als de efficiëntie van het trimmen afneemt. Hierdoor worden de beste prestaties gegarandeerd en houd de draad lang genoeg om goed te kunnen verlengen.

## 5 ONDERHOUD

### i BELANGRIJK

Lees en begrijp de veiligheidsvoorschriften en de onderhoudsinstructies voordat u het gereedschap reinigt, repareert of onderhoudswerkzaamheden uitvoert.

### i BELANGRIJK

Zorg ervoor dat alle moeren, bouten en schroeven goed vastzitten. Controleer regelmatig of u de handgrepen stevig heeft bevestigd.

### i BELANGRIJK

Gebruik alleen reserveonderdelen en accessoires van de oorspronkelijke fabrikant.

## 5.1 ALGEMENE INFORMATIE

### i BELANGRIJK

Alleen uw dealer of erkend servicecentrum kan het onderhoud uitvoeren dat niet in deze handleiding staat vermeld.

Voor de onderhoudswerkzaamheden:

- Schakel het gereedschap uit.
- Verwijder het accupack.
- Laat de motor afkoelen.
- Berg het gereedschap op in een koele en droge ruimte.
- Gebruik geschikte kleding, beschermende handschoenen en een veiligheidsbril.

## 5.2 REINIG HET GEREEDSCHAP

- Reinig het gereedschap na gebruik met een vochtige doek geweekt in een neutraal reinigingsmiddel.
- Gebruik geen agressieve schoonmaakmiddelen of oplosmiddelen om de kunststof onderdelen of handgrepen te reinigen.
- Houd de trimmerkop vrij van gras, bladeren of overtollig vet.

- Houd de ventilatie-openingen schoon en vrij van vuil om oververhitting en schade aan de motor te voorkomen.
- Spuit geen water op de motor en elektrische componenten.

## 5.3 DE SPOEL VERVANGEN

*Afbeelding 12 - 20.*

1. Druk de lipjes aan de zijkanten van de trimmerkop tegelijkertijd in.
2. Trek de spoelafdekking eraf en verwijder hem.
3. Verwijder de resterende spoel.
4. Plaats de spoel in de spoelafdekking.

### **i** OPMERKING

Zorg ervoor dat de snijdraad in de gleuf van de nieuwe spoel zit en ongeveer 15 cm eruit steekt voordat u de nieuwe spoel installeert.

5. Steek de uiteinden van de snijdraden door de gaten.
6. Verleng de snijlijn om deze los te maken van de geleidesleuf in de spoel.
7. Installeer de spoel en de spoelafdekking op de trimmerkop.
8. Druk de spoelafdekking totdat deze op zijn plaats klikt.

## 5.4 VERVANG DE SNIJDRAAD

*Afbeelding 14 - 16.*

### **i** OPMERKING

Verwijder de resterende snijdraad op de spoel.

### **i** OPMERKING

Alleen gebruiken met een nylon snijdraad met een diameter van 2 mm .

1. Snij een stuk snijdraad van ongeveer 3 m lang af.
2. Buig de draad in het midden en haak de lus in de gleuf in de middenrand van de spoel. Zorg ervoor dat de draad op zijn plaats klikt in de sleuf.
3. Met uw vinger tussen de draden draait u de draden gelijkmatig en strak op rond de spoel, in de aangegeven richting.
4. Plaats de draden in de geleidingsleuven.
5. Draai de draden niet verder op dan de rand van de spoel.

## 5.5 MONTEER DE TRIMMERKOP

*Afbeelding 21.*

1. Plaats de tussenring correct op de schacht.

2. Bevestig de binnenste ringmoer op de binnenste beker in de aangegeven richting.
3. Zorg ervoor dat de groeven van de binnenste ringmoer perfect aansluiten op die van de hoekoverbrenging.
4. Plaats de sleutel in het aangegeven gat van de hoekoverbrenging.
5. Draai de trimmerkop en druk op de sleutel totdat de sleutel in het gat van de binnenste ringmoer grijpt, waardoor de rotatie wordt geblokkeerd.
6. Monteer de trimmerkop.
7. Draai de trimmerkop tegen de klok in om hem vast te zetten.
8. Verwijder de sleutel.

### **i** BELANGRIJK

U moet het afsnijd-mes installeren wanneer u de trimmerkop gebruikt.

## 5.6 VERWIJDER DE TRIMMERKOP

*Afbeelding 21.*

1. Plaats de sleutel in het aangegeven gat van de hoekoverbrenging.
2. Draai de trimmerkop en druk op de sleutel totdat de sleutel in het gat van de binnenste ringmoer grijpt, waardoor de rotatie wordt geblokkeerd.
3. Draai de trimmerkop met de klok mee om hem los te maken. Verwijder de tussenring niet van de schacht.

## 5.7 VERVANG DE AANTIKKNOP

*Afbeelding 13.*

1. Druk de lipjes aan de zijkanten van de trimmerkop tegelijkertijd in.
2. Trek de spoelafdekking eraf en verwijder hem.
3. Verwijder de spoel.
4. Houd de aantikknop vast en wrik hem eruit met een metalen staaf (niet meegeleverd).
5. Plaats de nieuwe aantikknop in de behuizing van de spoel.

## 5.8 MONTEER DE BOSMAAIER

*Afbeelding 22 - 23.*

### **▲** WAARSCHUWING

Draag handschoenen en wees voorzichtig met scherpe randen.

### **▲** WAARSCHUWING

Breng de bescherming aan op het mes.

1. Plaats de tussenring correct op de schacht.

2. Bevestig de binnenste ringmoer op de binnenste beker in de aangegeven richting.
3. Zorg ervoor dat de groeven van de binnenste ringmoer perfect aansluiten op die van de hoekoverbrenging.
4. Bevestig het mes en de buitenste ringmoer met het platte gedeelte naar het mes gericht.
5. Bevestig de buitenste beker zonder de moer aan te draaien.
6. Plaats de sleutel in het aangegeven gat van de hoekoverbrenging.
7. Draai het mes en druk op de sleutel totdat het mes in het gat van de binnenste ringmoer grijpt, waardoor de rotatie wordt geblokkeerd.
8. Draai de moer tegen de klok in vast met een 19 mm of 3/4 inch moersleutel (44/58 Nm).

## 5.9 VERWIJDER DE BOSMAAIER

Afbeelding 22 - 23.

### ▲ WAARSCHUWING

Breng de bescherming aan op het mes.

1. Plaats de sleutel in het aangegeven gat van de hoekoverbrenging.
2. Draai het mes en druk op de sleutel totdat de sleutel in het gat van de binnenste ringmoer grijpt, waardoor de rotatie wordt geblokkeerd.
3. Draai de moer met de klok mee los en verwijder de buitenste beker.
4. Verwijder de buitenste ringmoer, het mes, de binnenste beker en de binnenste ringmoer. Verwijder de tussenring niet van de schacht.

## 6 VERVOER EN OPSLAG

### 6.1 DE MACHINE BEWEGEN

Wanneer u de machine verplaatst, moet u het volgende doen:

- Draag handschoenen.
- Schakel het gereedschap uit.
- Het accupack verwijderen.
- Monteer de bladbescherming.

### 6.2 OPSLAG VAN HET APPARAAT

- Verwijder de accu uit het apparaat en laad deze op.
- Zorg ervoor dat kinderen niet in de buurt van het gereedschap kunnen komen.
- Houd het gereedschap uit de buurt van corrosieve middelen, zoals tuinchemicaliën en strooizout.

- Beveilig het gereedschap tijdens het transport om schade of letsel te voorkomen. Reinig en onderzoek het gereedschap op eventuele beschadigingen.

## 7 PROBLEEMOPLOSSING

Probleem	Mogelijke oorzaak	Oplossing
Het gereedschap start niet wanneer u op de schakelaar drukt.	Er bestaat geen elektrisch contact tussen het gereedschap en het accupack.	1. Verwijder het accupack. 2. Controleer de contacten en plaats het accupack opnieuw.
	Het accupack is leeg.	Laad het accupack op.
	De vergrendelingsknop en schakelaar worden niet gelijktijdig gedrukt.	1. Trek de vergrendelingsknop en houd deze vast. 2. Druk op de schakelaar om de machine te starten.

Probleem	Mogelijke oorzaak	Oplossing
Het gereedschap stopt tijdens het snijden.	De bescherming is niet bevestigd aan het gereedschap.	Verwijder het accupack en monteer de bescherming op het gereedschap.
	Er wordt zware snijdraad gebruikt.	Alleen gebruiken met een nylon snijdraad met een diameter van 2 mm .
	Het gras draait zich rond de motorschacht of de trimmerkop.	<ol style="list-style-type: none"> <li>Schakel het gereedschap uit.</li> <li>Verwijder het accupack.</li> <li>Verwijder het gras van de motorschacht en de trimmerkop.</li> </ol>
	De motor is overbelast.	<ol style="list-style-type: none"> <li>Ontdoe de trimmerkop van gras.</li> <li>De motor start weer zodra de belasting is verdwenen.</li> <li>Wanneer u snijdt, moet u de trimmerkop in en uit het te snijden gras bewegen en niet meer dan 8" in de pas verwijderen.</li> </ol>
	Het accupack of het gereedschap is te warm.	<ol style="list-style-type: none"> <li>Koel het accupack af totdat hij weer normaal functioneert.</li> <li>Laat het gereedschap ongeveer 10 minuten afkoelen.</li> </ol>
	Het accupack is niet met het gereedschap verbonden.	Plaats het accupack opnieuw.
Het accupack is leeg.	Laad het accupack op.	

Probleem	Mogelijke oorzaak	Oplossing
De draad beweegt niet naar voren.	Draden zijn aan zichzelf gelast.	Smeer met siliconenspray.
	Er bevindt zich niet meer genoeg draad op de spoel.	Installeer meer draad.
	De draden zijn versleten of te kort.	Verleng de snijdraad.
	De draden zitten in de war op de spoel.	<ol style="list-style-type: none"> <li>Verwijder de draden van de spoel.</li> <li>Draai de draden op.</li> </ol>
De draad blijft breken.	Het gereedschap wordt niet correct gebruikt.	<ol style="list-style-type: none"> <li>Snijd met de punt van de draad, vermijd stenen, muren en andere harde voorwerpen.</li> <li>Verleng de snijdraad regelmatig om de volledige snijbreedte te behouden.</li> </ol>
Het gras draait zich rond de trimmerkop en de motorbehuizing.	Snijd hoog gras net boven de grond.	<ol style="list-style-type: none"> <li>Snijd hoog gras van boven naar beneden.</li> <li>Verwijder niet meer dan 8" in elke doorgang om te voorkomen dat gras zich opdraait.</li> </ol>
De draad snijdt niet goed.	Het afsnijdmes wordt bot.	Slijp het afsnijdmes met een vijl of vervang het.
Trillingen nemen duidelijk toe.	De draad is compleet versleten aan een kant en werd niet op tijd verlengd.	Zorg ervoor dat de draad aan beide zijden gelijk is. Verleng de draad.

## 8 TECHNISCHE GEGEVENS

Spanning	40 V
Snelheid zonder belasting	6300 ±10%TPM (grastrimmer), 6800±10%TPM (bosmaaier)
Snijkop	Aantik-verlenging/mes van de bosmaaier
Diameter van de snijdraad	2 mm



Snijpad diameter	356/406mm (grastrimmer), 254mm (bosmaaier)	
Gewicht (zonder accupack)	4.5 kg	
Accumodel	G40B2/G40B25/G40B4 en andere BAF series	
Opladermodel	G40C en andere CAF series	
Gazon trimmer	Gemeten geluidsdrukniveau	$L_{PA}=78.4 \text{ dB(A)}$ , $K_{PA}=3 \text{ dB(A)}$
	Gewaarbord geluidsvermogensniveau	$L_{WA,d}=96 \text{ dB(A)}$
	Trilling	$<2.5 \text{ m/s}^2$ , $k=1.5 \text{ m/s}^2$
Bosmaaier	Gemeten geluidsdrukniveau	$L_{PA}=82.8 \text{ dB(A)}$ , $K=3 \text{ dB(A)}$
	Gewaarbord geluidsvermogensniveau	$L_{WA,d}=101 \text{ dB(A)}$
	Trilling	$<2.5 \text{ m/s}^2$ , $k=1.5 \text{ m/s}^2$



96 dB. Geluidswaarde. (Gazon trimmer)

101 dB. Geluidswaarde. (Bosmaaier)

## 9 GARANTIE

(De volledige garantievoorzwaarden zijn terug te vinden op de Greenworks website [www.greenworkstools.eu](http://www.greenworkstools.eu))

De Greenworks garantie bedraagt 3 jaar op het product en 2 jaar op batterijen (consument/privégebruik) vanaf de datum van aankoop. Deze garantie dekt fabricagefouten. Een defect product dat onder de garantie valt kan worden gerepareerd of vervangen. Een apparaat dat op andere manieren is misbruikt of op andere manieren is gebruikt dan beschreven in de gebruiksaanwijzing, kan worden uitgesloten van de garantie. Normale slijtage en aan slijtage onderhevige onderdelen vallen niet onder de garantie. De oorspronkelijke fabrieksgarantie wordt niet beïnvloed door enige aanvullende garantie die door een dealer of verkoper wordt geboden.

Een defect product moet worden geretourneerd naar het verkooppunt om aanspraak te maken op de garantie, samen met het aankoopbewijs (kassabon).

## 10 EG CONFORMITEITSVERKLARING

Naam en adres van de fabrikant:

Naam: GLOBGRO AB  
Globe Group Europe  
Adres: Riggaregatan 53, 211 13 Malmö, Zweden

Naam en adres van de persoon bevoegd voor het samenstellen van het technisch bestand:

Naam: Micael Johansson  
Adres: Riggaregatan 53, 211 13 Malmö, Zweden

Herewith we declare that the product

Categorie: Grastrimmer / Bosmaaier  
Model: 2105707(STF457)  
Serienummer: Zie typeplaatje van product  
Fabricagejaar: Zie typeplaatje van product

- in overeenstemming is met de relevante bepalingen inzake de machinerichtlijn 2006/42/EG.
- in overeenstemming is met de bepalingen van de volgende EG-richtlijnen:

- 2014/30/EU
- 2000/14/EG & 2005/88/EG
- 2011/65/EU & (EU)2015/863

Wij verklaren tevens dat de volgende (delen/clausules van) geharmoniseerde normen werden gebruikt:

- EN 60335-1; EN 50636-2-91; EN 62233; EN 55014-1; EN 55014-2; EN ISO 3744; EN ISO 3744; ISO 11094; EN ISO 11806-1; IEC 62321-7-2; IEC 62321-4; IEC 62321-5; IEC 62321-6; IEC 62321-7-1; IEC 62321-8; IEC 62321-3-1.

Conformiteitsbeoordelingsmethode voor bijlage VI / Richtlijn 2000/14/EG.

Grastrimmer

Gemeten geluidsvermogensniveau:  $L_{WA} : 93.3 \text{ dB(A)}$

Gewaarbord geluidsvermogensniveau:  $L_{WA,d} : 96 \text{ dB(A)}$

Bosmaaier

Gemeten geluidsvermogensniveau:  $L_{WA} : 97.3 \text{ dB(A)}$

Gewaarbord geluidsvermogensniveau:  $L_{WA,d} : 101 \text{ dB(A)}$

Plaats, datum: Handtekening: Ted Qu, Directeur kwaliteit

Malmö, 7.28.2021

Ted Au

NL

<b>1</b>	<b>Kuvaus.....</b>	<b>66</b>	<b>5</b>	<b>Kunnossapito.....</b>	<b>68</b>
1.1	Käyttötarkoitus.....	66	5.1	Yleisiä tietoja.....	68
1.2	Yleiskatsaus.....	66	5.2	Koneen puhdistaminen.....	68
<b>2</b>	<b>Turvallisuus.....</b>	<b>66</b>	5.3	Kelan vaihtaminen.....	68
<b>3</b>	<b>Asennus.....</b>	<b>66</b>	5.4	Leikkuusiiman vaihtaminen.....	69
3.1	Pura kone pakkauksesta.....	66	5.5	Trimmeripään kokoaminen.....	69
3.2	Suojuksen kiinnittäminen.....	66	5.6	Trimmerin pään irrottaminen.....	69
3.3	Varren kokoaminen.....	66	5.7	Kupupään vaihtaminen.....	69
3.4	Apukahvan kiinnittäminen.....	67	5.8	Pensasleikkurin kokoaminen.....	69
3.5	Olkahihnan käyttäminen.....	67	5.9	Pensasleikkurin poistaminen.....	69
3.6	Akun asentaminen.....	67	<b>6</b>	<b>Kuljettaminen ja säilytys.....</b>	<b>70</b>
3.7	Poista akku.....	67	6.1	Koneen kuljettaminen.....	70
<b>4</b>	<b>Käyttö.....</b>	<b>67</b>	6.2	Koneen varastointi.....	70
4.1	Koneen käynnistäminen.....	67	<b>7</b>	<b>Vianmääritys.....</b>	<b>70</b>
4.2	Koneen pysäyttäminen.....	67	<b>8</b>	<b>Tekniset tiedot.....</b>	<b>71</b>
4.3	Käyttövinkkejä.....	67	<b>9</b>	<b>Takuu.....</b>	<b>71</b>
4.4	Leikkuuvinkkejä.....	67	<b>10</b>	<b>EU-</b>	
4.5	Leikkuusiiman pituuden säätäminen.....	68		<b>vaatimustenmukaisuusvakuu</b>	
4.6	Leikkuusäteen säätäminen.....	68		<b>tus.....</b>	<b>71</b>
4.7	Siiman katkaisuterä.....	68			

## 1 KUVAAUS

### 1.1 KÄYTTÖTARKOITUS

Tätä konetta käytetään ruohon, rikkaruohojen ja vastaavan kasvillisuuden leikkaamiseen maanpinnan tasolta. Leikkuutason on oltava suunnilleen maanpinnan suuntaisesti. Konetta ei saa käyttää pensasaidan, pensaiden, kukkien leikkaamiseen tai kompostin silppuamiseen.

### 1.2 YLEISKATSAUS

Kuva 1 - 23.

- |    |                         |
|----|-------------------------|
| 1  | Liipaisin               |
| 2  | Lukituspainike          |
| 3  | Ylävarsi                |
| 4  | Apukahva                |
| 5  | Alavarsi                |
| 6  | Suojus                  |
| 7  | Katkaisuterä            |
| 8  | Trimmerin pää           |
| 9  | Suojuksen kansi         |
| 10 | Terä                    |
| 11 | Vapautuspainike         |
| 12 | Asennusreikä            |
| 13 | Kuusioavain             |
| 14 | Keskusnappi             |
| 15 | Suojakansi              |
| 16 | Alempi tuki             |
| 17 | Kelan suojus            |
| 18 | Kela                    |
| 19 | Kieleke                 |
| 20 | Siiman ulostuloreikä    |
| 21 | Avain                   |
| 22 | Mutteri                 |
| 23 | Ulompi kuppi            |
| 24 | Ulompi rengasmutteri    |
| 25 | Sisempi kuppi           |
| 26 | Kulman siirtoreikä      |
| 27 | Kupupää                 |
| A  | Pyörimissuunta          |
| B  | Paras leikkuualue       |
| C  | Vaarallinen leikkuualue |

## 2 TURVALLISUUS

### ▲ VAROITUS

Varmista, että noudatat kaikkia turvallisuusohjeita.

Katso Turvallisuusopas.

## 3 ASENNUS

### ▲ VAROITUS

Irrota akku koneesta ennen asentamista.

### ▲ VAROITUS

Älä käytä lisävarusteita, joita ei ole suositeltu tälle koneelle.

### 3.1 PURA KONE PAKKAUKSESTA

#### ▲ VAROITUS

Varmista, että kokoat koneen oikein ennen käyttöä.

#### ▲ VAROITUS

- Jos koneen osissa on vaurioita, älä käytä konetta.
- Jos osia puuttuu, älä käytä konetta.
- Jos osat ovat vaurioituneet tai niitä puuttuu, ota yhteyttä huoltoliikkeeseen.

1. Avaa pakkaus.
2. Lue laatikossa oleva dokumentaatio.
3. Poista kaikki irralliset osat laatikosta.
4. Poista kone laatikosta.
5. Hävitä laatikko ja pakkausmateriaali paikallisten määräysten mukaan.

#### ▲ VAROITUS

Älä aseta akkua oman turvallisuutesi takia ennen kuin työkalu on täydellisesti koottu.

### 3.2 SUOJUKSEN KIINNITTÄMINEN

Kuva 2.

#### ▲ VAROITUS

Älä koske katkaisuterään.

1. Poista trimmerin pään ruuvit ristipääruuvitaltalla (ei mukana).
2. Aseta suojus trimmeripäähän.
3. Kohdista suojuksen ruuvien reiät trimmeripään ruuvien reikiin.
4. Kiristä ruuvit.
5. Aseta suojuksen kansi suojukseen.
6. Kohdista suojuksen kannen ruuvien reiät suojuksen ruuvien reikiin.
7. Kiristä ruuvit.

### 3.3 VARREN KOKOAMINEN

Kuva 3.

1. Löysää liitoskappaleen ruuvi.

2. Paina alemman varren vapautuspainiketta.
3. Kohdista vapautuspainike asennusreikään ja liu'uta varret yhteen.
4. Käännä alemmaa vartta, kunnes painike lukittu asennusreikään.

## i HUOMAA

Vapautuspainikkeen on kiinnityttävä asennusreikään. Väärän reiän käyttäminen voi johtaa henkilövahinkoihin tai laitteen vaurioitumiseen.

5. Kiristä ruuvi kuusioavaimella.

## 3.4 APUKAHVAN KIINNITTÄMINEN

Kuva 4.

1. Löysää keskusnuppi.
2. Irrota kansi ja alempi tuki.

## i HUOMAA

Älä kadota tuen joustia.

3. Aseta apukahva alempaan tukeen.
4. Aseta kansi alempaan tukeen.
5. Aseta koko kokoonpano kotelossaan varteen.
6. Säädä apukahva mukavaan asentoon.
7. Lukitse apukahva keskusnupilla.

## 3.5 OLKAHIHNAAN KÄYTTÄMINEN

Kuva 5.

1. Kiinnitä karbiinihaka varren kantolenkkiin.
2. Pue olkahihna.
3. Säädä hihnan kireys siten, että karbiinihaka on noin kämmenen leveyden mitan oikean lonkan alapuolella.

## 3.6 AKUN ASENTAMINEN

Kuva 6.

## ▲ VAROITUS

- Jos akku tai laturi on vaurioitunut, vaihda akku tai laturi.
- Pysäytä kone ja odota moottorin pysähtymistä ennen kuin asennat tai poistat akun.
- Lue ja ymmärrä kaikki akun ja laturin käyttöoppaan ohjeet sekä noudata niitä.

1. Kohdista akun ylösnousevat ulokkeet akkulokeron uriin.
2. Työnnä akkua akkulokeroon, kunnes akku lukittu paikalleen.
3. Kun kuulet napsahduksen, akku on asennettu.

## 3.7 POISTA AKKU

Kuva 6.

1. Paina akun vapautuspainiketta ja pidä sitä painettuna.
2. Irrota akku koneesta.

## 4 KÄYTTÖ

### i TÄRKEÄÄ

Lue ja ymmärrä kaikki turvallisuusohjeet ja käyttöohjeet ennen koneen käyttämistä.

### ▲ VAROITUS

Ole varovainen koneen käytössä.

## 4.1 KONEEN KÄYNNISTÄMINEN

Kuva 7.

1. Vapauta lukituspainike ja vedä liipaisinta.

## 4.2 KONEEN PYSÄYTTÄMINEN

Kuva 7.

1. Pysäytä kone vapauttamalla liipaisin.

## 4.3 KÄYTTÖVINKKEJÄ

Kuva 8.

### ▲ VAROITUS

Säilytä etäisyys vartalon ja koneen välillä.

### ▲ VAROITUS

Älä käytä konetta ilman paikoillaan olevia suojusta.

### Vinkejä koneen käyttämiseen

- Pidä kone yhdistettynä oikein puettuihin valjaisiin.
- Pidä koneesta tukevasti kiinni kahdella kädellä, kun käytät konetta.
- Leikkaa pitkä ruoho latvasta alaspäin.

### Jos ruoho kiertyy trimmerin pään ympärille:

- Poista akku.
- Poista ruoho.

## 4.4 LEIKKUUVINKKEJÄ

Kuva 9.

- Kallista konetta leikattavaa aluetta kohti. Käytä ruohon leikkaamiseen siiman kärkeä.
- Liikuta konetta oikealta vasemmalle, jotta estät roskien lentämisen käyttäjää kohti.
- Älä leikkaa vaarallisella alueella.

- Älä pakota trimmeripäätä leikkaamattomaan ruohoon.
- Verkko- ja säleaidat aiheuttavat siiman kulumisen ja katkeamisen. Kivi- ja tiilaidat, reunakivet ja puut saattavat kuluttaa leikkuusiiman nopeasti.

## 4.5 LEIKKUUSIIMAN PITUUDEN SÄÄTÄMINEN

Kuva 10.

Koneen käytön aikana leikkuusiima kuluu ja lyhenee. Voit säätää leikkuusiiman pituutta.

1. Kopauta trimmerin päätä maata vasten konetta käyttäessäsi.
2. Siima vapautuu automaattisesti ja katkaisuterä katkaisee liiallisen pituuden.

## 4.6 LEIKKUUSÄTEEN SÄÄTÄMINEN

Kuva 11.

### i HUOMAA

Kone on säädetty 356 mm leikkuusäteelle. Voit säätää 406 mm leikkuusäteeseen.

Säädä leikkuusäde 356 mm pidemmälle leikkuuajalle ja 406 mmisommalle leikkuualueelle.

1. Poista akku.
2. Poista terän ruuvit katkaisuterästä.
3. Käännä katkaisuterää 180°.
4. Kiristä terän ruuvit.

## 4.7 SIIMAN KATKAISUTERÄ

Kuva 11.

Trimmeri on varustettu suojuksessa olevalla siiman katkaisuterällä. Katkaisuterä katkaisee siimaa jatkuvasti, jotta varmistetaan tasainen ja tehokas leikkaaminen. Siirrä siimaa aina, kun kuulet moottorin käyvän tavallista nopeammin tai kun leikkaustulos huononee. Tämä ylläpitää parhaan suorituskyvyn ja pitää siiman tarpeeksi pitkänä siirtymään kunnolla.

## 5 KUNNOSSAPITO

### i TÄRKEÄÄ

Lue ja ymmärrä kaikki turvallisuusohjeet ja kunnossapito-ohjeet ennen koneen puhdistamista, korjaamista tai kunnossapitoa.

### i TÄRKEÄÄ

Varmista, että kaikki mutterit, pullit ja ruuvit ovat kireällä. Tarkasta säännöllisesti, että asennat kahvat kireällä.

### i TÄRKEÄÄ

Käytä vain alkuperäisen valmistajan vaihto-osia ja lisävarusteita.

## 5.1 YLEISIÄ TIETOJA

### i TÄRKEÄÄ

Vain jälleenmyyjä tai valtuutettu huoltoliike saa tehdä kunnossapitotoimia, joita ei ole kuvattu tässä käyttöoppaassa.

Ennen kunnossapitotoimia:

- Pysäytä kone.
- Poista akku.
- Anna moottorin jäähtyä.
- Säilytä kone viileässä ja kuivassa paikassa.
- Käytä asianmukaista vaateusta, suojakäsineitä ja suojalaseja.

## 5.2 KONEEN PUHDISTAMINEN

- Puhdista kone jokaisen käytön jälkeen neutraalini puhdistusaineeseen kostutetulla liinalla.
- Älä käytä voimakkaita puhdistusaineita tai liuottimia, kuten lasinpuhdistusaineita, muovisten osien tai kahvojen puhdistamiseen.
- Säilytä trimmerin pää puhtaana ruohosta, lehdistä ja liiallisesta liasta.
- Säilytä tuuletusaukot puhtaina ja vapaina roskista, jotta vältät moottorin ylikuumentumisen ja vaurioitumisen.
- Älä suihkuta vettä moottoriin tai sähköosiin.

## 5.3 KELAN VAIHTAMINEN

Kuva 12 - 20.

1. Paina trimmerin pää sivuissa olevia ulokkeita samanaikaisesti.
2. Vedä kelan kantta ja poista se.
3. Poista jäljellä oleva kela.
4. Aseta kela kelan kanteen.

### i HUOMAA

Varmista, että leikkuusiima on uuden kelan kolossa ja vedettyä noin 15 cm pituuteen ennen kuin asennat uuden kelan.

5. Aseta leikkuusiiman päät reikien läpi.
6. Pidennä leikkuusiima, jotta vapautat sen kelan ohjaimen kolosta.
7. Asenna kela ja kelan kansi trimmerin päähän.
8. Paina kela kantta, kunnes se napsahtaa paikoilleen.

## 5.4 LEIKKUUSIIMAN VAIHTAMINEN

Kuva 14 - 16.

### i HUOMAA

Poista jäljellä oleva siima kelasta.

### i HUOMAA

Käytä vain nailonsiimaa, jossa on 2 mm läpimitta.

1. Leikkaa noin 3 metrin pituinen kappale leikkuusiimaa.
2. Taivuta siima keskikohdasta ja ripusta lenkki kelan keskivanteen koloon. Varmista, että siima napsahtaa paikalleen koloon.
3. Pidä sormeasi siimojen välissä, kierrä siimoja tasaisesti ja kiristä kelan ympärille ja määritettyyn suuntaan.
4. Aseta siimat ohjaimen koloihin.
5. Älä kierrä siimoja kelan reunan yli.

## 5.5 TRIMMERIPÄÄN KOKOAMINEN

Kuva 21.

1. Aseta välilevy oikein varteen.
2. Kiinnitä sisempi rengasmutteri sisempään kuppiin ja määritettyyn suuntaan.
3. Varmista, että sisemmän rengasmutterin urat kohdistuvat täydellisesti kulman siirtoon.
4. Aseta avain määritetyssä kulmassa siirtoreikään.
5. Käännä trimmerin päätä ja paina avainta, kunnes avain on sisemmän rengasmutterin reiässä estämässä pyörimisen.
6. Kokoa trimmerin pää.
7. Kiristä trimmerin pää kääntämällä sitä vastapäivään.
8. Poista avain.

### i TÄRKEÄÄ

Katkaisuterä täytyy asentaa, kun käytät trimmerin päätä.

## 5.6 TRIMMERIN PÄÄN IRROTTAMINEN

Kuva 21.

1. Aseta avain määritetyssä kulmassa siirtoreikään.
2. Käännä trimmerin päätä ja paina avainta, kunnes avain on sisemmän rengasmutterin reiässä estämässä pyörimisen.
3. Irrota trimmerin pää kääntämällä sitä myötäpäivään. Älä poista varressa olevaa välilevyä.

## 5.7 KUPUPÄÄN VAIHTAMINEN.

Kuva 13.

1. Paina trimmerin pään sivuissa olevia ulokkeita samanaikaisesti.
2. Vedä kelan kantta ja poista se.
3. Poista kela.
4. Pidä kupupäätä ja väännä se ulos metallitangolla (ei mukana).
5. Paina uusi kupupää kelan koteloon.

## 5.8 PENSASLEIKKURIN KOKOAMINEN

Kuva 22 - 23.

### ▲ VAROITUS

Käytä suojakäsineitä ja varo teräviä reunoja.

### ▲ VAROITUS

Laita suojus terään.

1. Aseta välilevy oikein varteen.
2. Kiinnitä sisempi rengasmutteri sisempään kuppiin ja määritettyyn suuntaan.
3. Varmista, että sisemmän rengasmutterin urat kohdistuvat täydellisesti kulman siirtoon.
4. Kiinnitä terä ja ulompi rengasmutteri tasainen osa terään päin.
5. Kiinnitä ulompi kuppi kiristämättä mutteria.
6. Aseta avain määritetyssä kulmassa siirtoreikään.
7. Käännä terä ja paina avainta, kunnes terä on sisemmän rengasmutterin reiässä estämässä pyörimisen.
8. Kiristä mutteri vastapäivään 19 mm tai 3/4" avaimella (44/58 Nm).

## 5.9 PENSASLEIKKURIN POISTAMINEN

Kuva 22 - 23.

### ▲ VAROITUS

Laita suojus terään.

1. Aseta avain määritetyssä kulmassa siirtoreikään.
2. Käännä terä ja paina avainta, kunnes avain on sisemmän rengasmutterin reiässä estämässä pyörimisen.
3. Löysää mutteria myötäpäivään ja poisto ulompi kuppi.

4. Poista ulompi rengasmutteri, sisempi kuppi ja sisempi rengasmutteri. Älä poista varressa olevaa välilevyä.

## 6 KULJETTAMINEN JA SÄILYTYS

### 6.1 KONEEN KULJETTAMINEN

Kun kuljetat konetta, muista:

- Käytä käsineitä.
- Pysäytä kone.
- Poista akku.
- Kiinnitä terän suojus.

### 6.2 KONEEN VARASTOINTI

- Irrota akku koneesta ja lataa se.
- Varmista, että lapset eivät pääse lähelle konetta.
- Pidä kone etäällä korroosiota aiheuttavista aineista kuten puutarhakemikaalit ja tiesuolat.
- Kiinnitä kone kuljetuksen ajaksi vaurioiden ja loukkaantumisten välttämiseksi. Puhdista kone ja tarkasta se vaurioiden varalta.

## 7 VIANMÄÄRITYS

Ongelma	Mahdollinen syy	Ratkaisu
Kone ei käynnisty, kun painat liipaisinta.	Koneen ja akun välillä ei ole sähköistä yhteyttä.	1. Irrota akku. 2. Tarkasta liitäntä ja asenna akku takaisin.
	Akku on tyhjä.	Lataa akku.
	Lukituspainiketta ja liipaisinta ei paineta samanaikaisesti.	1. Paina lukituspainiketta ja pidä se alhaalla. 2. Käynnistä kone vetämällä liipaisinta.

Ongelma	Mahdollinen syy	Ratkaisu
Kone sammuu leikkaamisen aikana.	Suojusta ei ole liitetty koneeseen.	Poista akku ja kiinnitä suojus koneeseen.
	Leikkuusiima on liian paksu.	Käytä vain nailonsiimaa, jossa on 2 mm läpimitta.
	Ruoho kiertyy moottorin karan ja trimmerin pään ympärille.	1. Pysäytä kone. 2. Poista akku. 3. Poista ruoho moottorin karasta ja trimmerin päästä.
	Moottori on ylikuormittunut.	1. Irrota trimmerin pää ruohosta. 2. Moottori palautuu toimintaan, kun kuormitus poistetaan. 3. Kun leikkaat, liikuta trimmerin päätä edestakaisin leikkavassa ruohossa ja leikkaa korkeintaan 8" yhdellä kerralla.
Akku tai kone on liian kuuma.	Akku on irronnut työkalusta.	1. Anna akun jäähtyä, kunnes sen toiminta palautuu normaaliksi. 2. Jäähdytä kone noin 10 minuuttia.
	Akku on tyhjä.	Lataa akku.
	Akku on tyhjä.	Asenna akku takaisin paikalleen.
Siima ei liiku eteenpäin.	Siimat ovat hitsautuneet yhteen.	Voitele silikonisuihkeella.
	Kelassa ei ole riittävästi siimaa.	Asenna lisää siimaa.
	Siimat ovat kulu-neet liian lyhyiksi.	Siirrä leikkuusiimaa.
	Siimat ovat solmussa kelassa.	1. Poista siimat kelasta. 2. Kierrä siimoja.



Ongelma	Mahdollinen syy	Ratkaisu
Siimat katkeavat.	Konetta käytetään väärin.	1. Leikkaa siiman kärkeä, vältä kiviä, seinä ja muita kovia kohteita. 2. Siirrä leikkusuimaa säännöllisin välein, jotta se täysi leikkuuleveys säilyy.
Ruoho kiertyy trimmerin pään ja moottorin kotelon ympärille.	Leikkaa pitkä ruoho maanpinnan tasolle.	1. Leikkaa pitkä ruoho latvasta alaspäin. 2. Leikkaa korkeintaan 8" yhdellä kerralla kiertämisen estämiseksi.
Siima ei leikkaa hyvin.	Katkaisuterä on tylsä.	Teroita katkaisuterä viilalla tai vaihda se uuteen terään.
Tärinä liisääntyy huomattavasti.	Siima on kulunut toisesta sivusta eikä sitä ole siirretty ajoissa.	Varmista, että siima on molemmilla sivuilla tasapitkä. Siirrä siimaa.

## 8 TEKNISET TIEDOT

Jännite	40 V	
Joutokäyntinopeus	6300 ±10%rpm (Nurmikkotrimmeri), 6800±10%rpm (Pensasleikkuri)	
Leikkuupää	Kupupääsyöttö / pensasleikkurin terä	
Leikkusuiman läpimitta	2 mm	
Leikkausreitintä läpimitta	356/406 mm (Nurmikkotrimmeri), 254 mm (Pensasleikkuri)	
Paino (ilman akua)	4.5 kg	
Akun malli	G40B2/G40B25/G40B4 ja muut BAF sarjat	
Laturin malli	G40C ja muut CAF sarjat	
Nurmikkotrimmeri	Mitattu äänenpainetaso	$L_{PA}=78.4 \text{ dB (A)}$ , $K_{PA}= 3 \text{ dB (A)}$
	Taattu ääniteho-taso	$L_{WA,d}=96 \text{ dB (A)}$
	Tärinä	$<2.5 \text{ m/s}^2$ , $k=1.5 \text{ m/s}^2$

Pensasleikkuri	Mitattu äänenpainetaso	$L_{PA}=82.8 \text{ dB (A)}$ , $K=3 \text{ dB (A)}$
	Taattu ääniteho-taso	$L_{WA,d}=101 \text{ dB (A)}$
	Tärinä	$<2.5 \text{ m/s}^2$ , $k=1.5 \text{ m/s}^2$



96 dB. Kohina-arvo. (Nurmikkotrimmeri)

101 dB. Kohina-arvo. (Pensasleikkuri)

## 9 TAKUU

(Täydelliset takuehdot löytyvät Greenworks verkkosivustolta [www.greenworkstools.eu](http://www.greenworkstools.eu))

. Greenworks Takuu tuotteelle on 3 vuotta ja akuille 2 vuotta (kuluttaja-/yksityiskäytössä) ostopäivästä alkaen. Takuu kattaa valmistusvirheet. Takuun aikana viallinen tuote voidaan joko korjata tai vaihtaa. Laitteen, jota on käytetty väärin tai jota käytetään muulla tavoin kuin käyttöoppaassa kuvatulla tavalla, takuu voidaan mitätöidä. Takuu ei korvaa normaalia kulumista tai kuluvia osia. Jälleenmyyjän tarjoama lisätakuu ei vaikuta alkuperäisen valmistajan takuuseen.

Takuukorvaus vaatii viallisen tuotteen palauttamisen ostopaikkaan yhdessä ostotodistuksen (kuitin) kanssa.

## 10 EU-VAATIMUSTENMUKAISUUSVA KUUTUS

Valmistajan nimi ja osoite:

Nimi: GLOBGRO AB

Globe Group Europe

Osoite: Riggaregatan 53, 211 13 Malmö, Ruotsi

Sen henkilön nimi ja osoite, joka on valtuutettu kokoamaan teknisen tiedoston:

Nimi: Micael Johansson

Osoite: Riggaregatan 53, 211 13 Malmö, Ruotsi

Täten vakuutamme, että tuote

Luokka: Siimaleikkuri / Pensasleikkuri

Malli: 2105707(STF457)

Sarjanumero: Katso tuotteen tyyppikilpi

Valmistusvuosi: Katso tuotteen tyyppikilpi

- täyttää konedirektiivin 2006/42/EY olennaiset vaatimukset.
- täyttää seuraavien muiden EU-direktiivien vaatimukset:
  - 2014/30/EU
  - 2000/14/EY & 2005/88/EY
  - 2011/65/EU & (EU)2015/863

Lisäksi vakuutamme, että seuraavia yhdenmukaistettuja standardeja (osia/artikloja) on käytetty:

- EN 60335-1; EN 50636-2-91; EN 62233; EN 55014-1; EN 55014-2 ; EN ISO 3744; EN ISO 3744; ISO 11094; EN ISO 11806-1; IEC 62321-7-2; IEC 62321-4; IEC 62321-5; IEC 62321-6; IEC 62321-7-1; IEC 62321-8; IEC 62321-3-1.

Vaatimustenmukaisuuden arviointi on tehty direktiivin 2000/14/EY liitteen VI mukaisesti.

Siimaleikkuri

Mitattu äänentehotaso:  $L_{WA}$  : 93.3 dB (A)

Taattu äänentehotaso:  $L_{WA,d}$  : 96 dB (A)

Pensasleikkuri

Mitattu äänentehotaso:  $L_{WA}$  : 97.3dB (A)

Taattu äänentehotaso:  $L_{WA,d}$  : 101dB (A)

Paikka, päiväys: Allekirjoitus: Ted Qu, Laatujohtaja

Malmö, 7.28.2021

Ted Qu

<b>1</b>	<b>Beskrivning.....</b>	<b>74</b>	<b>5</b>	<b>Underhåll.....</b>	<b>76</b>
1.1	Syfte.....	74	5.1	Allmänna upplysningar.....	76
1.2	Översikt.....	74	5.2	Rengöra maskinen.....	76
<b>2</b>	<b>Säkerhet.....</b>	<b>74</b>	5.3	Byta ut spolen.....	76
<b>3</b>	<b>Installation.....</b>	<b>74</b>	5.4	Byta trimtråd.....	77
3.1	Packa upp maskinen.....	74	5.5	Sätta på trimmerhuvudet.....	77
3.2	Fäst skyddet.....	74	5.6	Ta av trimmerhuvudet.....	77
3.3	Montera skafet.....	75	5.7	Byt ut stötratten.....	77
3.4	Fäst handtaget.....	75	5.8	Montera slyklingan.....	77
3.5	Använda axelremmen.....	75	5.9	Ta bort slyklingan.....	77
3.6	Montera batteripaketet.....	75	<b>6</b>	<b>Transport och förvaring.....</b>	<b>78</b>
3.7	Ta ut batteripaketet.....	75	6.1	Flytta maskinen.....	78
<b>4</b>	<b>Användning.....</b>	<b>75</b>	6.2	Förvara maskinen.....	78
4.1	Starta maskinen.....	75	<b>7</b>	<b>Felsökning.....</b>	<b>78</b>
4.2	Stänga av maskinen.....	75	<b>8</b>	<b>Tekniska data.....</b>	<b>79</b>
4.3	Tips vid användning.....	75	<b>9</b>	<b>Garanti.....</b>	<b>79</b>
4.4	Trimningstips.....	75	<b>10</b>	<b>EG-försäkran om</b>	
4.5	Justera trimtrådens längd.....	76		<b>överensstämmelse.....</b>	<b>79</b>
4.6	Justera trimområdets diameter.....	76			
4.7	Trådkärblad.....	76			

## 1 BESKRIVNING

### 1.1 SYFTE

Maskinen används för att trimma gräs, mindre ogräs och annan liknande vegetation på och över marknivå. Trimplanet måste vara ungefär parallellt med marken. Du kan inte använda maskinen för att klippa eller hacka sönder häckar, buskar, blommor eller kompost.

### 1.2 ÖVERSIKT

Figur 1 - 23.

- |    |                       |
|----|-----------------------|
| 1  | Avtryckare            |
| 2  | Läsknapp              |
| 3  | Övre skaft            |
| 4  | Hjälphandtag          |
| 5  | Nedre skaft           |
| 6  | Skydd                 |
| 7  | Skärblad              |
| 8  | Trimmerhuvud          |
| 9  | Skyddskåpa            |
| 10 | Kniv                  |
| 11 | Frigöringsknapp       |
| 12 | Positioneringshåll    |
| 13 | Insexnyckel           |
| 14 | Handtagsbult          |
| 15 | Lock                  |
| 16 | Handtagsfäste         |
| 17 | Spolkåpa              |
| 18 | Spole                 |
| 19 | Flik                  |
| 20 | Trådens utgångshåll   |
| 21 | Skruvnyckel           |
| 22 | Mutter                |
| 23 | Yttre kopp            |
| 24 | Yttre axelmutter      |
| 25 | Inre kopp             |
| 26 | Håll till vinkelväxel |
| 27 | Stötratt              |
| A  | Rotationsriktning     |
| B  | Bästa trimområde      |
| C  | Farligt trimområde    |

## 2 SÄKERHET

### ▲ VARNING

Se till att följa alla säkerhetsanvisningar.

Se säkerhetshandboken.

## 3 INSTALLATION

### ▲ VARNING

Ta ut batteripaketet ur maskinen före installation.

### ▲ VARNING

Använd inte tillbehör som inte rekommenderas för denna maskin.

### 3.1 PACKA UPP MASKINEN

#### ▲ VARNING

Kontrollera att maskinen är rätt monterad före användning.

#### ▲ VARNING

- Om delar av maskinen är skadade, använd inte maskinen.
- Använd inte maskinen om det saknas delar.
- Om delar är skadade eller saknas, kontakta servicecenter.

1. Öppna förpackningen.
2. Läs igenom dokumentationen som medföljer i förpackningen.
3. Ta ut alla omonterade delar från förpackningen.
4. Ta ut maskinen från förpackningen.
5. Avfallshantera lådan och förpackningsmaterialet enligt lokala regler.

#### ▲ VARNING

För din personliga säkerhet, sätt inte i batteriet innan verktyget är helt monterat.

### 3.2 FÄST SKYDDET

Figur 2.

#### ▲ VARNING

Vidrör inte skärbladet.

1. Ta bort skruvarna från trimmerhuvudet med en Phillipsmejsel (medföljer ej).
2. Sätt skyddet på trimmerhuvudet.
3. Passa in skruvhålen på skyddet över skruvhålen på trimmerhuvudet.
4. Dra åt skruvarna.
5. Sätt skyddskåpan på skyddet.
6. Passa in skruvhålen på skyddskåpan över skruvhålen på skyddet.
7. Dra åt skruvarna.

### 3.3 MONTERA SKAFLET

Figur 3.

1. Lossa skruven på kopplingen.
2. Tryck in frigöringsknappen på det nedre skaflet.
3. Rikta in frigöringsknappen med positioneringshålet och skjut de två skaften.
4. Vrid det nedre skaflet tills knappen hakar fast i positioneringshålet.

#### i NOTERA

Frigöringsknappen måste fixeras i positioneringshålet. Att använda fel hål kan leda till personskador eller skador på enheten.

5. Dra åt skruven med insexnyckeln.

### 3.4 FÄST HANDTAGET

Figur 4.

1. Lossa handtagsbulten.
2. Ta bort locket och handtagsfästet.

#### i NOTERA

Tappa inte bort fjädern i fästet.

3. Lägg handtaget i handtagsfästet.
4. Sätt locket på handtagsfästet.
5. Placera hela blocket i urtaget på skaflet.
6. Ställ in handtaget i ett bekvämt läge.
7. Lås fast handtaget med handtagsbulten.

### 3.5 ANVÄNDA AXELREMMEN

Figur 5.

1. Fäst haken i stångens bärring.
2. Sätt på axelremmen.
3. Justera remmens längd så att haken sitter ungefär en handbredd nedanför din högra höft.

### 3.6 MONTERA BATTERIPAKETET

Figur 6.

#### ▲ VARNING

- Byt batteripaketet eller laddaren, om de är skadade.
- Stäng av maskinen och vänta tills motorn stannat innan du monterar eller tar bort batteripaketet.
- Läs, förstå och följ instruktionerna i batteriets och laddarens handbok.

1. Placera ribborna på batteripaketet i linje med ursparingarna i batteriutrymmet.
2. Tryck in batteripaketet i batteriutrymmet tills batteripaketet låses fast.

3. Batteripaketet har installerats när det hörs ett klick.

### 3.7 TA UT BATTERIPAKETET

Figur 6.

1. Tryck in och håll in knappen för att frigöra batteriet.
2. Ta ut batteripaketet från maskinen.

## 4 ANVÄNDNING

#### i VIKTIGT

Innan du använder maskinen bör du läsa och förstå säkerhetsreglerna och bruksanvisningen.

#### ▲ VARNING

Var försiktig när du använder maskinen.

### 4.1 STARTA MASKINEN

Figur 7.

1. Tryck på låsknappen och tryck in startknappen.

### 4.2 STÄNGA AV MASKINEN

Figur 7.

1. Släpp reglaget för att stanna maskinen.

### 4.3 TIPS VID ANVÄNDNING

Figur 8.

#### ▲ VARNING

Håll avståndet mellan maskinen och kroppen.

#### ▲ VARNING

Använd inte maskinen utan att skyddet är på plats.

#### Följ dessa tips när du använder maskinen

- Ha maskinen fäst i en korrekt påtagen bärsele.
- Håll i maskinen stadigt med båda händerna, när du använder den.
- Trimma högt gräs uppifrån och ned.

#### Om gräs snor sig runt trimmerhuvudet:

- Ta ut batteripaketet.
- Ta bort gräset.

### 4.4 TRIMNINGSTIPS

Figur 9.

- Luta maskinen mot det område som ska trimmas. Använd yttersta änden av trimträden för att klippa gräs.

- För maskinen från höger till vänster för att undvika sprut mot användaren.
- Klipp inte i farliga områden.
- Tvinga inte in trimmerhuvudet i oklippt gräs.
- Tråd- och trästaket sliter på trimtråden och kan få den att gå av. Sten- och tegelmurar, kantstenar och trä kan snabbt slita ned trimtråden.

#### 4.5 JUSTERA TRIMTRÅDENS LÄNGD

Figur 10.

När du använder maskinen slits trimtråden och blir kortare. Du kan justera trimtrådens längd.

1. Stöt trimmerhuvudet i marken medan du kör maskinen.
2. Tråden frigörs automatiskt och skärbladet skär av överskottet.

#### 4.6 JUSTERA TRIMOMRÅDETS DIAMETER

Figur 11.

##### i NOTERA

Maskinen är inställd på en 356 mm diameter för trimområdet. Du kan justera denna 406 mm diameter.

Ställ in trimområdets diameter på 356 mm för längre gångtid och 406 mm för större trimområde.

1. Ta ut batteripaketet.
2. Ta bort skruvarna från skärbladet.
3. Vänd skärbladet 180°.
4. Dra åt skärbladsskruvarna.

#### 4.7 TRÅDSKÄRBLAD

Figur 11.

Denna trimmer är försedd med ett trådsjärblad på skyddet. Trådsjärbladet trimmar kontinuerligt tråden för att säkerställa en jämn och effektiv klippdiameter. Mata ut tråd så fort du hör att motorn går snabbare än normalt eller när trimningseffektiviteten avtar. På så sätt säkerställer du optimala resultat och håller tråden tillräckligt lång för att mata ut ordentligt.

### 5 UNDERHÅLL

##### i VIKTIGT

Läs och förstå säkerhetsreglerna och bruksanvisningen innan du rengör, reparerar eller utför underhållsarbete på maskinen.

##### i VIKTIGT

Se till att alla muttrar, bultar och skruvar är åtdragna. Kontrollera regelbundet att handtagen sitter fast ordentligt.

##### i VIKTIGT

Använd bara de utbytesdelar och tillbehör som tillverkaren rekommenderar.

#### 5.1 ALLMÄNNA UPPLYSNINGAR

##### i VIKTIGT

Endast din återförsäljare eller ett godkänt servicecenter kan utföra det underhållsarbete som inte tas upp i denna bruksanvisning.

Före underhållsarbete:

- Stäng av maskinen.
- Ta ut batteripaketet.
- Låt motorn svalna.
- Förvara maskinen på en sval och torr plats.
- Använd rätt kläder, skyddshandskar och skyddsglasögon.

#### 5.2 RENGÖRA MASKINEN

- Rengör maskinen efter varje användning med en trasa fuktad med ett neutralt rengöringsmedel.
- Använd inte aggressiva rengöringsmedel eller lösningsmedel som "glasrengöringsmedel" för att rengöra plastdelar eller handtag.
- Håll trimmerhuvudet fritt från gräs, löv och överskott av fett.
- Håll lufthälen rena och fria från skräp för att undvika överhettning och skada på motorn.
- Spruta inte vatten på motorn eller elektriska komponenter.

#### 5.3 BYTA UT SPOLEN

Figur 12 - 20.

1. Tryck samtidigt på flikarna på sidorna av trimmerhuvudet.
2. Dra upp och ta av spolkåpan.
3. Ta ut spolen.
4. Placera spolen i spolkåpan.

##### i NOTERA

Säkerställ att trimtråden ligger i slitsen på den nya spolen och att den sticker ut cirka 15 cm, innan du installerar den nya spolen.

5. Stick ändarna på trimtråden genom hälen.

6. Dra ut trimtråden för att frigöra den från guideslitsen i spolen.
7. Installera spolen och spolkåpan i trimmerhuvudet.
8. Tryck på spolkåpan tills den klickar på plats.

## 5.4 BYTA TRIMTRÅD

Figur 14 - 16.

### i NOTERA

Ta bort återstående trimtråd från spolen.

### i NOTERA

Använd enbart med trimtråd av nylon och med 2 mm diameter.

1. Skär av en bit trimtråd som är cirka 3 m lång.
2. Vik tråden på mitten och kroka i den i slitsen i spolens mittring. Se till att tråden snäpper på plats i slitsen.
3. Linda med ett finger mellan trådarna dessa jämnt och tätt runt spolen i den angivna riktningen.
4. För in trådarna i guideslitsarna.
5. Linda inte trådarna utanför kanten på spolen.

## 5.5 SÄTTA PÅ TRIMMERHUVUDET

Figur 21.

1. Sätt distansen i rätt läge på axeln.
2. Fäst den inre axelmuttern på den inre koppen i den angivna riktningen.
3. Se till att färorna i den inre axelmuttern passar exakt med dem i vinkelväxeln.
4. Stoppa in nyckeln i det angivna hålet i vinkelväxeln.
5. Vrid på trimmerhuvudet och tryck på nyckeln, tills den går in i hålet i den inre axelmuttern och förhindrar rotation.
6. Sätt på trimmerhuvudet.
7. Vrid trimmerhuvudet moturs för att dra åt det.
8. Ta bort nyckeln.

### i VIKTIGT

Du måste sätta på skärbladet för att använda trimmerhuvudet.

## 5.6 TA AV TRIMMERHUVUDET

Figur 21.

1. Stoppa in nyckeln i det angivna hålet i vinkelväxeln.
2. Vrid på trimmerhuvudet och tryck på nyckeln, tills den går in i hålet i den inre axelmuttern och förhindrar rotation.

3. Vrid trimmerhuvudet medurs för att lossa det. Ta inte bort distansen från axeln.

## 5.7 BYT UT STÖTRATTEN

Figur 13.

1. Tryck samtidigt på flikarna på sidorna av trimmerhuvudet.
2. Dra upp och ta av spolkåpan.
3. Ta ut spolen.
4. Håll in stötratten och lirka ut den med ett metallstift (medföljer ej).
5. Sätt i den nya stötratten i spohlöjlet.

## 5.8 MONTERA SLYKLINGAN

Figur 22 - 23.

### ▲ VARNING

Använd handskar och var försiktig med vassa eggår.

### ▲ VARNING

Sätt skyddet över klingan.

1. Sätt distansen i rätt läge på axeln.
2. Fäst den inre axelmuttern på den inre koppen i den angivna riktningen.
3. Se till att färorna i den inre axelmuttern passar exakt med dem i vinkelväxeln.
4. Montera klingan och den yttre axelmuttern med den platta delen mot klingan.
5. Sätt på den yttre koppen utan att dra åt muttern.
6. Stoppa in nyckeln i det angivna hålet i vinkelväxeln.
7. Vrid på klingan och tryck på nyckeln, tills den går in i hålet i den inre axelmuttern och förhindrar rotation.
8. Dra åt muttern moturs med en 19 mm eller ¾ tums nyckel (44/58 Nm).

## 5.9 TA BORT SLYKLINGAN

Figur 22 - 23.

### ▲ VARNING

Sätt skyddet över klingan.

1. Stoppa in nyckeln i det angivna hålet i vinkelväxeln.
2. Vrid på klingan och tryck på nyckeln, tills den går in i hålet i den inre axelmuttern och förhindrar rotation.
3. Lossa muttern medurs och ta bort den yttre koppen.
4. Ta bort den yttre axelmuttern, inre koppen och inre axelmuttern. Ta inte bort distansen från axeln.

## 6 TRANSPORT OCH FÖRVARING

### 6.1 FLYTTA MASKINEN

När du flyttar maskinen måste du:

- Använda handskar.
- Stäng av maskinen.
- Ta ut batteripaketet.
- Montera klingskyddet.

### 6.2 FÖRVARA MASKINEN

- Ta ut batteripaketet från maskinen och ladda det.
- Säkerställ att barn inte kan komma nära maskinen.
- Håll maskinen borta från frätande ämnen såsom trädgårdskemikalier och tösalt.
- Säkra maskinen under transport för att förhindra sak- och personsador. Rengör och undersök maskinen med avseende på skador.

## 7 FELSÖKNING

Problem	Möjlig orsak	Lösning
Maskinen startar inte när startknappen trycks på.	Ingen elektrisk kontakt mellan maskinen och batteripaketet.	1. Ta ut batteripaketet. 2. Kontrollera kontakten och sätt i batteripaketet igen.
	Batteripaketet är urladdat.	Ladda batteripaketet.
	Låsknappen och startknappen manövreras inte samtidigt.	1. Dra ut låsknappen och håll den kvar. 2. Tryck på startknappen för att starta maskinen.

Problem	Möjlig orsak	Lösning
Maskinen stoppar när du klipper.	Skyddet sitter inte på maskinen.	Ta ut batteripaketet ur maskinen och fäst skyddet på maskinen.
	Tung trimtråd används.	Använd enbart med trimtråd av nylon och med 2 mm diameter.
	Gräset lindar sig runt motoraxeln eller trimmerhuvudet.	1. Stäng av maskinen. 2. Ta ut batteripaketet. 3. Ta bort gräset från motoraxeln och trimmerhuvudet.
	Motorn är överbelastad.	1. Ta bort trimmerhuvudet från gräset. 2. Motorn börjar arbeta igen så snart belastningen minskar. 3. När du klipper ska du röra trimmerhuvudet in i och ut från gräset som ska klippas och inte klippa mer än 20 cm i taget.
	Batteripaketet eller maskinen är för varm.	1. Låt batteripaketet svalna tills funktionen åter är normal. 2. Låt maskinen svalna i cirka 10 minuter.
	Batteripaketet är bortkopplat från verktyget.	Installera batteripaketet.
	Batteripaketet är urladdat.	Ladda batteripaketet.
Tråden matas inte ut.	Trådarna har smält ihop.	Smörj med silikonsprej.
	För lite tråd på spolen.	Sätt i mer tråd.
	Trådarna har slitits och är för korta.	Mata ut tråden.
	Trådarna har trasslat ihop sig på spolen.	1. Ta bort trådarna från spolen. 2. Linda på trådarna.



Problem	Möjlig orsak	Lösning
Trådarna går hela tiden av.	Maskinen används på fel sätt.	1. Klipp med trådnarnas ytterända och undvik stenar, murar och andra hårda föremål. 2. Mata med jämna mellanrum ut trådarna för att bibehålla full klippbredd.
Gräs snor sig runt trimmerhuvud och motorkåpa.	Klipp högt gräs nere vid marken.	1. Trimma högt gräs uppifrån och ned. 2. Klipp inte av mer än 20 cm i taget för att undvika intrassling.
Tråden klipper inte bra.	Skärbladet är slött.	Skärp skärbladet med fil och sätt tillbaka det.
Vibrati-onerna ökar påtagligt.	Tråden är nedsliten på ena sidan och matas inte ut i tid.	Kontrollera att tråden är jämn på båda sidorna. Mata ut tråden.

## 8 TEKNISKA DATA

Spänning	40 V	
Obelastad hastighet	6300 ±10%varv/min (Grästrimmer), 6800±10%varv/min (Slyklinga)	
Klipphuvud	Stötmatning/slyklinga	
Trimtrådens diameter	2 mm	
Trimområdets diameter	356/406mm (Grästrimmer), 254mm (Slyklinga)	
Vikt (utan batteripaket)	4.5 kg	
Batterimodell	G40B2/G40B25/G40B4 och andra BAF serier	
Laddarmodell	G40C och andra CAF serier	
Gräsmattetrimmer	Uppmätt ljudtrycksnivå	$L_{PA}=78.4 \text{ dB(A)}$ , $K_{PA}= 3 \text{ dB(A)}$
	Garanterad ljuddeffektnivå	$L_{WA,d} = 96 \text{ dB(A)}$
	Vibration	$<2.5 \text{ m/s}^2$ , $k = 1.5 \text{ m/s}^2$

Slyklinga	Uppmätt ljudtrycksnivå	$L_{PA}=82.8 \text{ dB(A)}$ , $K = 3 \text{ dB(A)}$
	Garanterad ljuddeffektnivå	$L_{WA,d} = 101 \text{ dB(A)}$
	Vibration	$<2.5 \text{ m/s}^2$ , $k = 1.5 \text{ m/s}^2$



96 dB. Bullervärde. (Gräsmattetrimmer)

101 dB. Bullervärde. (Slyklinga)

## 9 GARANTI

(Fullständiga garantivillkor återfinns på webbplats Greenworks [www.greenworkstools.eu](http://www.greenworkstools.eu))

Greenworks garanti gäller i 3 år för produkten och 2 år för batterierna (konsument-/privat bruk) räknat från inköpsdatum. Denna garanti gäller tillverkningsfel. En felaktig produkt som omfattas av garantin kan antingen repareras eller bytas ut. För en enhet som använts på fel sätt eller på andra sätt än som beskrivs i ägarens bruksanvisning kan krav enligt garantin komma att avvisas. Normalt slitage och sliddelar omfattas inte av garantin. Tillverkarens ursprungliga garanti påverkas inte av ytterligare garanti lämnad av återförsäljare.

Vid krav enligt garantin måste den felaktiga produkten returneras till inköpsstället tillsammans med bevis på inköp (kvitto).

## 10 EG-FÖRSÄKRAN OM ÖVERENSSTÄMMELSE

Tillverkarens namn och adress:

Namn: GLOBGRO AB

Globe Group Europe

Adress: Riggaregatan 53, 211 13 Malmö, Sverige

Namn och adress till personen med behörighet att sammanställa den tekniska filen:

Namn: Micael Johansson

Adress: Riggaregatan 53, 211 13 Malmö, Sverige

Härmed försäkras att produkten

Kategori: Trädtrimmer/röjsåg

Modell: 2105707(STF457)

Serienummer: Se produktens typskylt

Tillverkningsår: Se produktens typskylt

- är i överensstämmelse med relevanta bestämmelser i Maskindirektivet 2006/42/EG.
- är i överensstämmelse med bestämmelserna i följande EG-direktiv:
  - 2014/30/EU
  - 2000/14/EG & 2005/88/EG
  - 2011/65/EU & 2015/863/EU

Dessutom försäkras vi att följande delar, klausuler av harmoniserade standarder har använts:

- EN 60335-1; EN 50636-2-91; EN 62233; EN 55014-1; EN 55014-2 ; EN ISO 3744; EN ISO 3744; ISO 11094; EN ISO 11806-1; IEC 62321-7-2; IEC 62321-4; IEC 62321-5; IEC 62321-6; IEC 62321-7-1; IEC 62321-8; IEC 62321-3-1.

Metod för överensstämmelsebedömning till Bilaga VI/ direktiv 2000/14/EG.

Trädtrimmer

Uppmätt ljudeffektnivå:  $L_{WA}$ : 93.3 dB(A)

Garanterad ljudeffektnivå:  $L_{WA,d}$ : 96 dB(A)

Röjsåg

Uppmätt ljudeffektnivå:  $L_{WA}$ : 97.3 dB(A)

Garanterad ljudeffektnivå:  $L_{WA,d}$ : 101 dB(A)

Ort, datum: Signatur: Ted Qu, Kvalitetschef

Malmö, 7.28.2021

Ted Qu

<b>1</b>	<b>Beskrivelse.....</b>	<b>82</b>	4.7	Kutteblad for tråden.....	84
1.1	Formål.....	82	<b>5</b>	<b>Vedlikehold.....</b>	<b>84</b>
1.2	Oversikt.....	82	5.1	Generell informasjon.....	84
<b>2</b>	<b>Sikkerhet.....</b>	<b>82</b>	5.2	Rengjøre maskinen.....	84
<b>3</b>	<b>Installasjon.....</b>	<b>82</b>	5.3	Bytte spole.....	84
3.1	Pakke ut maskinen.....	82	5.4	Bytte skjæretråd.....	85
3.2	Feste bladvernet.....	82	5.5	Montere trimmerhodet.....	85
3.3	Monter akselen.....	83	5.6	Ta av trimmerhodet.....	85
3.4	Sette på hjelpehåndtaket.....	83	5.7	Bytt ut støtknappen.....	85
3.5	Bruke skulderstroppen.....	83	5.8	Montere vegetasjonsklipperen.....	85
3.6	Installer batteripakken.....	83	5.9	Fjerne vegetasjonsklipperen.....	85
3.7	Fjerning av batteripakken.....	83	<b>6</b>	<b>Transport og oppbevaring.....</b>	<b>86</b>
<b>4</b>	<b>Betjening.....</b>	<b>83</b>	6.1	Flytte maskinen.....	86
4.1	Starte maskinen.....	83	6.2	Oppbevar maskinen.....	86
4.2	Stoppe maskinen.....	83	<b>7</b>	<b>Problemløsning.....</b>	<b>86</b>
4.3	Tips for bruk.....	83	<b>8</b>	<b>Tekniske data.....</b>	<b>87</b>
4.4	Tips for klipping.....	83	<b>9</b>	<b>Garanti.....</b>	<b>87</b>
4.5	Justere lengden på skjæretråden.....	84	<b>10</b>	<b>EF-samsvarserklæring.....</b>	<b>87</b>
4.6	Justere skjærediameteren.....	84			

## 1 BESKRIVELSE

### 1.1 FORMÅL

Denne maskinen er beregnet på å klippe gress, mindre ugress samt liknende vegetasjon på eller rundt bakkenivå. Knivbladet skal være omtrent parallelt med bakken. Maskinen må ikke brukes til å beskjære eller klippe hekker, busker, blomster eller kompost.

### 1.2 OVERSIKT

Figur 1 - 23.

- |    |                     |
|----|---------------------|
| 1  | Utløser             |
| 2  | Låseknapp           |
| 3  | Øvre aksel          |
| 4  | Hjelpéhåndtak       |
| 5  | Nedre aksel         |
| 6  | Deksel              |
| 7  | Avkutterblad        |
| 8  | Trimmerhode         |
| 9  | Beskyttelsesdeksel  |
| 10 | Knivblad            |
| 11 | Utløserknapp        |
| 12 | Plasseringshull     |
| 13 | Unbrakonøkkel       |
| 14 | Hovedknott          |
| 15 | Hette               |
| 16 | Nedre støtte        |
| 17 | Spoledeksel         |
| 18 | Spole               |
| 19 | Tapp                |
| 20 | Tråd hull           |
| 21 | Unbrakonøkkel       |
| 22 | Mutter              |
| 23 | Ytre mansjett       |
| 24 | Ytre ringmutter     |
| 25 | Indre mansjett      |
| 26 | Vinkelhull          |
| 27 | Dunke-knott         |
| A  | Rotasjonsretning    |
| B  | Beste klippeområde  |
| C  | Farlig klippeområde |

## 2 SIKKERHET

### ▲ ADVARSEL

Pass på at du følger alle sikkerhetsinstruksjoner.

Slå opp i sikkerhetskåpboken.

## 3 INSTALLASJON

### ▲ ADVARSEL

Ta batteripakken ut av maskinen før installasjon.

### ▲ ADVARSEL

Unngå å bruke tilbehør som ikke anbefales for denne maskinen.

### 3.1 PAKKE UT MASKINEN

#### ▲ ADVARSEL

Sørg for at maskinen monteres korrekt før du benytter den.

#### ▲ ADVARSEL

- Du må ikke bruke maskinen hvis noen deler av maskinen er defekte.
- Hvis deler mangler, ikke bruk maskinen.
- Hvis deler er skadet eller mangler, kontakt servicesenteret.

1. Åpne pakken.
2. Les dokumentasjonen i esken som medfølger.
3. Ta alle de umonterte delene ut av esken.
4. Ta maskinen ut av esken.
5. Kast esken og emballasjemateriale i henhold til lokale lover og regler.

#### ▲ ADVARSEL

For din personlige sikkerhet, ikke sett inn batteriet før verktøyet er satt sammen fullstendig.

### 3.2 FESTE BLADVERNET

Figur 2.

#### ▲ ADVARSEL

Ikke ta på avkutterbladet.

1. Ta ut skruene fra trimmerhodet ved hjelp av en stjerneskrutrekker (følger ikke med).
2. Sett bladvernet på trimmerhodet.
3. Juster skruerullene på bladvernet så de er på linje med hullene i trimmerhodet.
4. Stram til skruene.
5. Sett beskyttelsesdekslet på bladvernet.
6. Juster skruerullene på beskyttelsesdekslet så de er på linje med hullene i bladvernet.
7. Stram til skruene.

## 3.3 MONTER AKSELEN

Figur 3.

1. Løsne skruen på koplingen.
2. Trykk inn utløserknappen på den nedre akselen.
3. Juster utløserknappen med plasseringshullet og skyv de to akslene.
4. Vri den nedre akselen til knappen låses i plasseringshullet.

### i MERK

Utløserknappen må festes i posisjoneringshullet. Bruk av feil hull kan føre til personskade eller skade på enheten.

5. Stram skruen med unbrakonøkkel.

## 3.4 SETTE PÅ HJELPEHÅNDTAKET

Figur 4.

1. Løsne hovedknotten.
2. Ta av dekslet og den nedre støtten.

### i MERK

Ikke glem springfjæren i støtten.

3. Sett hjelphåndtaket på den nedre støtten.
4. Sett dekslet på den nedre støtten.
5. Sett hele klossen inn i huset på skaffet.
6. Sett hjelphåndtaket i en stilling som kjennes behagelig.
7. Lås hjelphåndtaket med hovedknotten.

## 3.5 BRUKE SKULDERSTROPPE

Figur 5.

1. Fest karabinkroken til stangens bæring.
2. Sett på skulderstroppen.
3. Juster lengden på stroppen slik at kroken er seg ca. en håndsbredd under din høyre hofte.

## 3.6 INSTALLER BATTERIPAKKEN

Figur 6.

### ▲ ADVARSEL

- Hvis batteripakke eller lader er skadet, må denne byttes ut.
- Stans maskinen og vent til motoren har stoppet helt før du installerer eller tar ut batteripakken.
- Les, forstå og følg instruksjonene i batteri- og laderhåndboken.

1. Sørg for at rillene i batteripakken er på linje med innhakkene på batteriholderen.

2. Skyv batteripakken inn i batteriholderen til batteripakken låses på plass.
3. Når du hører et klikk, er batteripakken riktig installert.

## 3.7 FJERNING AV BATTERIPAKKEN

Figur 6.

1. Skyv og hold på utløserknappen til batteriet.
2. Ta batteripakken ut av maskinen.

## 4 BETJENING

### i VIKTIG

Før du begynner å bruke maskinen, er det viktig å lese og forstå sikkerhetsregler og instruksjoner for bruk.

### ▲ ADVARSEL

Vær forsiktig når du betjener maskinen.

## 4.1 STARTE MASKINEN

Figur 7.

1. Trykk på låseknappen og trekk i utløseren.

## 4.2 STOPPE MASKINEN

Figur 7.

1. Slipp utløseren for å stanse maskinen.

## 4.3 TIPS FOR BRUK

Figur 8.

### ▲ ADVARSEL

Sørg for at det er avstand mellom deg og maskinen.

### ▲ ADVARSEL

Ikke bruk maskinen uten at bladvernet er på plass.

Husk dette når du bruker maskinen

- Fest maskinen til skulderselen, som må bæres på riktig måte.
- Ha godt tak med begge hender når du bruker maskinen.
- Klipp høyt gress fra toppen og ned.

Hvis gress fester seg rundt trimmerhodet:

- Ta ut batteripakken.
- Fjern gresset.

## 4.4 TIPS FOR KLIPPING

Figur 9.

- Hold maskinen på skrå mot det området som skal klippes. Bruk tuppen av skjæretråden til å klippe gresset med.
- Beveg maskinen fra høyre mot venstre for å unngå at kvist og kvast kastes mot operatøren.
- Unngå å klippe i det farlige området.
- Ikke legg press på trimmerhodet når du skal klippe gresset.
- Ståltrådgjerd og gjerdestolper kan forårsake at tråden slites av. Murer av stein eller murstein, fortauer og trematerialer kan raskt slite ut skjæretråden.

## 4.5 JUSTERE LENGDEN PÅ SKJÆRETRÅDEN

Figur 10.

Når du bruker maskinen, vil skjæretråden slites og bli kortere. Du kan justere lengden på skjæretråden.

1. Slå trimmerhodet mot bakken mens du maskinen er i gang.
2. Tråd utløses automatisk, og avkutterbladet skjærer av tråden hvis den er for lang.

## 4.6 JUSTERE SKJÆREDIAMETEREN

Figur 11.

### i MERK

Maskinen er innstilt på en bestemt 356 mm skjærediameter. Du kan justere til en 406 mm skjærediameter.

Still inn skjærediameteren 356 mm for lengre kjøretid og 406 mm for et større klippeområde.

1. Ta ut batteripakken.
2. Ta ut skruene på avkuttingsbladet.
3. Drei avkuttingsbladet 180°.
4. Stram til skruene på bladet.

## 4.7 KUTTEBLAD FOR TRÅDEN

Figur 11.

Denne trimmeren er utstyrt med et kutteblad for tråden på dekselet. Kuttebladet kutter kontinuerlig tråden for å sikre en konsistent og effektiv skjærediameter. Før frem tråden når du hører motoren kjører raskere enn normalt, eller når trimmeeffektiviteten avtar. Dette vil opprettholde best ytelse og holde tråden lang nok til å fremmes riktig.

## 5 VEDLIKEHOLD

### i VIKTIG

Før du rengjør, reparerer eller gjør vedlikeholdsarbeid på maskinen, er det viktig å lese og forstå sikkerhetsregler og instruksjoner for bruk.

### i VIKTIG

Pass på at alle muttere og skruer er strammet godt til. Sjekk jevnlig at håndtakene sitter godt på.

### i VIKTIG

Bruk bare produsentens anbefalte reservedeler og tilbehør.

## 5.1 GENERELL INFORMASJON

### i VIKTIG

Kun forhandleren din eller et godkjent servicesenter kan utføre vedlikehold som ikke er behandlet i denne håndboken.

Før vedlikeholdsarbeid:

- Stopp maskinen.
- Ta ut batteripakken.
- Avkjøl motoren.
- Oppbevar maskinen på et kjølig og tørt sted.
- Bruk riktige klær, vernehansker og vernebriller.

## 5.2 RENGJØRE MASKINEN

- Rengjør maskinen etter hver bruk med en fuktig klut dyppet i nøytralt vaskemiddel.
- Ikke bruk aggressive vaskemidler eller løsemidler "som glassrens" for å rengjøre plastdelene eller håndtakene.
- Hold trimmerhodet fri for gress, blader eller unødvendig olje.
- Hold luftventilene rene og fri for rusk for å unngå overoppheting og skade på motoren.
- Vann må ikke sprøytes på motoren eller de elektriske komponentene.

## 5.3 BYTTE SPOLE

Figur 12 - 20.

1. Trykk samtidig på flikene på hver side av trimmerhodet.
2. Ta ut spoledkselet.
3. Fjern hele spolen.
4. Plasser spolen i spoledkselet.

## i MERK

Pass på at skjæretråden er i sporet på den nye spolen, og at ca. 15 cm er dratt ut før du installerer den.

5. Før endene på skjæretråden gjennom hullene.
6. Dra ut skjæretråden for å frigjøre den fra trådslissen i spolen.
7. Sett spolen og spoledekslet på trimmerhodet.
8. Skyv på spoledekslet til det klikker på plass.

## 5.4 BYTTE SKJÆRETRÅD

Figur 14 - 16.

## i MERK

Ta av det som gjenstår av skjæretråden fra spolen.

## i MERK

Må bare brukes med en nylon-skjæretråd på 2 mm diameter.

1. Skjær en lengde på ca. 3 m av skjæretråden.
2. Bøy tråden på midten og hekk løkken inn i sporet midt på spolen. Pass på at tråden er riktig plassert i sporet.
3. Hold en finger mellom trådene og vikle dem jevnt og stramt rundt spolen i anvist retning.
4. Sett trådene inn i trådslissene.
5. Ikke vikle skjæretråden lenger enn til kanten av spolen.

## 5.5 MONTERE TRIMMERHODET

Figur 21.

1. Sett mellomlegget riktig inn på skaftet.
2. Fest indre ringmutter på indre mansjett i angitt retning.
3. Sørg for at rillene på indre ringmutter er justert riktig i forhold til rillene på vinkelgiret.
4. Sett unbraconøkkelen i det angitte hullet på vinkelgiret.
5. Drei på trimmerhodet og skyv på unbraconøkkelen til den kommer i inngrep med indre ringmutterhull og på den måten blokkerer rotasjon.
6. Sette sammen trimmerhodet.
7. Drei trimmerhodet i retning mot klokken for å stramme det.
8. Ta ut unbraconøkkelen.

## i VIKTIG

Du må installere kuttebladet når du bruker trimmerhodet.

## 5.6 TA AV TRIMMERHODET

Figur 21.

1. Sett unbraconøkkelen i det angitte hullet på vinkelgiret.
2. Drei på trimmerhodet og skyv på unbraconøkkelen til den kommer i inngrep med indre ringmutterhull og på den måten blokkerer rotasjon.
3. Drei trimmerhodet i retning med klokken for å løsne det. Ikke ta mellomlegget av skaftet.

## 5.7 BYTT UT STØTKNAPPEN

Figur 13.

1. Trykk samtidig på flikene på hver side av trimmerhodet.
2. Ta ut spoledekslet.
3. Ta ut spolen.
4. Hold støtknappen og lirk den ut med en metallstang (ikke levert).
5. Dytt støtknappen inn i spolehuset.

## 5.8 MONTERE VEGETASJONSKLIPPEREN

Figur 22 - 23.

### ▲ ADVARSEL

Bruk hansker og vær forsiktig med skarpe kanter.

### ▲ ADVARSEL

Sett bladvernet på knivbladet.

1. Sett mellomlegget riktig inn på skaftet.
2. Fest indre ringmutter på indre mansjett i angitt retning.
3. Sørg for at rillene på indre ringmutter er justert riktig i forhold til rillene på vinkelgiret.
4. Fest bladet og ytre ringmutter med den flate siden mot knivbladet.
5. Fest ytre mansjett uten å stramme til mutteren.
6. Sett unbraconøkkelen i det angitte hullet på vinkelgiret.
7. Drei på knivbladet og skyv på unbraconøkkelen til bladet kommer inn i indre ringmutterhull og på den måten blokkerer rotasjon.
8. Stram til mutteren i retning mot klokken med en nøkkel på 19 mm eller 3/4 " (44/58 Nm).

## 5.9 FJERNE VEGETASJONSKLIPPEREN

Figur 22 - 23.

## ▲ ADVARSEL

Sett bladvernet på knivbladet.

1. Sett unbraconøkkelen i det angitte hullet på vinkelgiret.
2. Drei på knivbladet og skyv unbraconøkkelen til den kommer i inngrep med indre ringmutterhull og på den måten blokkerer rotasjon.
3. Løsne mutteren i retning klokken og ta ut ytre mansjett.
4. Ta av ytre ringmutter, knivblad, indre mansjett og indre ringmutter. Ikke ta mellomlegget av skaffet.

## 6 TRANSPORT OG OPPBEVARING

### 6.1 FLYTTE MASKINEN

Når du flytter maskinen, må du:

- Bruke hansker.
- Stopp maskinen.
- Fjerning av batteripakken.
- Sette på bladvernet.

### 6.2 OPPBEVAR MASKINEN

- Fjern batteripakken fra maskinen og bytt den.
- Pass på at barn ikke kommer i nærheten av maskinen.
- Hold maskinen unna etsende midler, for eksempel hagekjemikalier og avisingsalter.
- Sørg for å feste maskinen forsvarlig ved transport for å hindre skader på person eller eiendeler. Rengjør maskinen og sjekk om den har skader.

## 7 PROBLEMLØSNING

Problem	Mulig årsak	Løsning
Maskinen vil ikke starte når du drar i utløseren.	Ingen elektrisk kontakt mellom maskin og batteripakke.	1. Ta ut batteripakken. 2. Sjekk kontakten og sett inn batteripakken på nytt.
	Batteripakken er utladet.	Lad opp batteripakken.
	Låseknappen og utløseren blir ikke betjent samtidig.	1. Trykk på låseknappen og hold den nede. 2. Dra i utløseren for å starte maskinen.

Problem	Mulig årsak	Løsning
Maskinen stopper under klipning.	Bladvernet er ikke påmontert maskinen.	Ta batteripakken ut av maskinen og monter bladvernet.
	Kraftig skjæretråd er brukt.	Må bare brukes med en nylon-skjæretråd på 2 mm diameter.
	Gress kveiler seg rundt motorakselen eller trimmerhodet.	1. Stopp maskinen. 2. Ta ut batteripakken. 3. Fjern gresset fra drivakselen og trimmerhodet.
	Motoren er overbelastet.	1. Ta trimmerhodet bort fra gresset. 2. Motoren vil fungere igjen når belastningen er fjernet. 3. Når du klipper gresset, skal du bevege trimmerhodet inn og ut av gresset og bare fjerne ca. 20 cm i én omgang.
Batteripakken eller maskinen er for varm.	1. Avkjøl batteripakken til maskinen igjen fungerer normalt. 2. La maskinen avkjøles i ca. 10 minutter.	
Batteripakken er ikke satt inn i verktøyet.	Sett inn batteripakken igjen.	
Batteripakken er utladet.	Lad opp batteripakken.	
Skjæretråden trekkes ikke frem.	Skjæretrådene har koblet seg sammen.	Smør med silikonspray.
	Det er ikke nok tråd på spolen.	Installer mer skjæretråd.
	Skjæretrådene er blitt for korte.	Dra frem mer skjæretråd.
	Skjæretrådene har filtret seg sammen på spolen.	1. Fjern skjæretrådene fra spolen. 2. Spol skjæretrådene.



Problem	Mulig årsak	Løsning
Skjæretråden ryker stadig.	Maskinen brukes på feil måte.	1. Beskjær med tuppen av skjæretråden og unngå steiner, gjerder og andre harde gjenstander. 2. Dra regelmessig frem mer skjæretråd så du beholder full kuttebredde.
Gress fester seg rundt trimmerhodet og motorhuset.	Klipp høyt gress på bakkenivå.	1. Klipp høyt gress fra toppen og ned. 2. Ikke fjern mer enn 20 cm i hver omgang for å hindre ansamling av gress.
Skjæretråden kutter ikke som den skal.	Avkuttingsbladet er sløvt.	Skjerp avkuttingsbladet med en fil, eller bytt det.
Vibrasjon øker merkbart.	Skjæretråden er slitt på den ene siden og trekkes ikke frem når den skal.	Sørg for at linjen på begge sider er lik. Dra frem mer skjæretråd.

## 8 TEKNISKE DATA

Spenning	40 V
Hastighet uten belastning	6300 ±10%rpm (Gresstrimmer), 6800±10%rpm (Vegetasjonsklipper)
Trimmerhode	Fremtrekk ved dunking/skjæreblad til vegetasjonsklipper
Diameter på skjæretråd	2 mm
Diameter på skjæreområde	356/406mm (Gresstrimmer), 254mm (Vegetasjonsklipper)
Vekt (uten batteripakke)	4.5 kg
Batteripakke	G40B2/G40B25/G40B4 og andre BAF serier
Ladermodell	G40C og andre CAF serier

Gresstrimmer	Målt lydtrykknivå	$L_{pA}=78.4$ dB (A), $K_{pA}=3$ dB (A)
	Garantert lyddefektnivå	$L_{WA,d}=96$ dB (A)
	Vibrasjon	$<2.5$ m/s <sup>2</sup> , $k=1.5$ m/s <sup>2</sup>
Vegetasjonsklipper	Målt lydtrykknivå	$L_{pA}=82.8$ dB(A), $K=3$ dB (A)
	Garantert lyddefektnivå	$L_{WA,d}=101$ dB (A)
	Vibrasjon	$<2.5$ m/s <sup>2</sup> , $k=1.5$ m/s <sup>2</sup>



96 dB. Støyverdi. (Gresstrimmer)

101 dB. Støyverdi. (Vegetasjonsklipper)

## 9 GARANTI

(Du finner alle garantivilkår og -betingelser på Greenworks nettsiden [www.greenworkstools.eu](http://www.greenworkstools.eu))

Garantien Greenworks er 3 år for produktet, og 2 år for batterier (forbruker / privat bruk) fra kjøpsdatoen. Denne garantien dekker produksjonsfeil. Et defekt produkt under garanti kan enten repareres eller erstattes. Garantier som er misbrukt eller brukt på andre måter enn som beskrevet i brukerhåndboken kan ugyldiggjøres. Normal slitasje og slitte deler dekkes ikke av garantien. Den originale produsentgarantien påvirkes ikke av tilleggsgaranti fra en forhandler eller forhandler.

Et defekt produkt må returneres til kjøpsstedet for å kreve garanti, sammen med kjøpsbevis (kvittering).

## 10 EF-SAMSVARERKLÆRING

Navn og adresse til produsenten:

Navn: GLOBGRO AB

Globe Group Europe

Adresse: Riggaregatan 53, 211 13 Malmö, Sverige

Navn og adresse til person med autorisasjon til å utarbeide teknisk fil:

Navn: Micael Johansson

Adresse: Riggaregatan 53, 211 13 Malmö, Sverige

Vi erklærer herved at produktet

Kategori: Gresstrimmer / Vegetasjonsklipper  
Modell: 2105707(STF457)  
Serienummer: Se typeetikett på produkt  
Konstruksjonsår: Se typeetikett på produkt

- er i samsvar med de relevante bestemmelsene i maskindirektivet 2006/42/EF.
- er i samsvar med de relevante bestemmelsene i følgende andre EF-direktiver:
  - 2014/30/EU
  - 2000/14/EF & 2005/88/EF
  - 2011/65/EU & (EU)2015/863

I tillegg erklærer vi at følgende (deler/paragrafer i) de harmoniserte standardene har vært brukt:

- EN 60335-1; EN 50636-2-91; EN 62233; EN 55014-1; EN 55014-2 ; EN ISO 3744; EN ISO 3744; ISO 11094; EN ISO 11806-1; IEC 62321-7-2; IEC 62321-4; IEC 62321-5; IEC 62321-6; IEC 62321-7-1; IEC 62321-8; IEC 62321-3-1.

Metode for samsvarsvurdering for Annex VI / direktiv 2000/14/EC.

Gresstrimmer

Målt lydeffektnivå:  $L_{WA}$  : 93.3 dB (A)

Garantert lydeffektnivå:  $L_{WA,d}$  : 96 dB (A)

Vegetasjonsklipper

Målt lydeffektnivå:  $L_{WA}$  : 97.3dB (A)

Garantert lydeffektnivå:  $L_{WA,d}$  : 101dB (A)

Sted, dato: Signatur: Ted Qu, kvalitetsdirektør

Malmö, 7.28.2021

Ted Qu

<b>1</b>	<b>Beskrivelse.....</b>	<b>90</b>	<b>5</b>	<b>Vedligeholdelse.....</b>	<b>92</b>
1.1	Formål.....	90	5.1	Generelle oplysninger.....	92
1.2	Oversigt.....	90	5.2	Rengør maskinen.....	92
<b>2</b>	<b>Sikkerhed.....</b>	<b>90</b>	5.3	Udskift spolen.....	92
<b>3</b>	<b>Installation.....</b>	<b>90</b>	5.4	Udskift klippesnoren.....	93
3.1	Pak maskinen ud.....	90	5.5	Montering af trimmerhovedet.....	93
3.2	Fastgør skærmen.....	90	5.6	Fjern trimmerhovedet.....	93
3.3	Samling af skaft.....	91	5.7	Sæt fjederknoppen på igen.....	93
3.4	Fastgør støttehåndtaget.....	91	5.8	Montering af buskrydderen.....	93
3.5	Brug af skulderremmen.....	91	5.9	Fjernelse af buskrydderen.....	93
3.6	Sæt batteripakken i.....	91	<b>6</b>	<b>Transport og opbevaring.....</b>	<b>94</b>
3.7	Fjern batteripakken.....	91	6.1	Flytning af maskinen.....	94
<b>4</b>	<b>Betjening.....</b>	<b>91</b>	6.2	Opbevaring af maskinen.....	94
4.1	Start maskinen.....	91	<b>7</b>	<b>Fejlfinding.....</b>	<b>94</b>
4.2	Stop maskinen.....	91	<b>8</b>	<b>Tekniske data.....</b>	<b>95</b>
4.3	Tips til brug.....	91	<b>9</b>	<b>Garanti.....</b>	<b>95</b>
4.4	Tips til klipning.....	91	<b>10</b>	<b>EF-</b>	
4.5	Juster klippesnorens længde.....	92		<b>overensstemmelseserklæring..</b>	<b>95</b>
4.6	Justering af klippediameteren.....	92			
4.7	Afskæringskniv til snor.....	92			

## 1 BESKRIVELSE

### 1.1 FORMÅL

Denne maskine bruges til at klippe græs, let ukrudt og anden lignende plantevækst på eller omkring jorden. Områder, der skal klippes, skal være nogenlunde parallelt med jordoverfladen. Denne maskine er ikke beregnet til klipning af af hække, buske, buske, blomster eller kompost.

### 1.2 OVERSIGT

Figur 1 - 23.

- |    |                      |
|----|----------------------|
| 1  | Udløser              |
| 2  | Låseknop             |
| 3  | Øvre skaft           |
| 4  | Støttehåndtag        |
| 5  | Nedre skaft          |
| 6  | Skærm                |
| 7  | Afskæringskniv       |
| 8  | Klippehoved          |
| 9  | Skærmhætte           |
| 10 | Klinge               |
| 11 | Udløserknop          |
| 12 | Positioneringshul    |
| 13 | Unbraco-nøgle        |
| 14 | Midterknop           |
| 15 | Hætte                |
| 16 | Nedre støtte         |
| 17 | Spoledæksel          |
| 18 | Spole                |
| 19 | Tap                  |
| 20 | Hul til snor         |
| 21 | Skruenøgle           |
| 22 | Møtrik               |
| 23 | Yder kop             |
| 24 | Ydre ringmøtrik      |
| 25 | Indre kop            |
| 26 | Vinkeljusteringshul  |
| 27 | Fjederknop           |
| A  | Drejeretning         |
| B  | Bedste klippeområde  |
| C  | Farligt klippeområde |

## 2 SIKKERHED

### ▲ ADVARSEL

Sørg for, at følge alle sikkerhedsanvisningerne.

Se sikkerhedsvejledningen.

## 3 INSTALLATION

### ▲ ADVARSEL

Tag batteriet ud af maskinen inden installation.

### ▲ ADVARSEL

Brug ikke tilbehør, der ikke anbefales til denne maskine.

### 3.1 PAK MASKINEN UD

#### ▲ ADVARSEL

Sørg for, at samle maskinen korrekt før brug.

#### ▲ ADVARSEL

- Hvis dele af maskinen beskadiges, må den ikke bruges.
- Hvis der mangler nogen dele, må maskinen ikke bruges.
- Hvis nogle dele er beskadiget eller mangler, skal du kontakte servicecentret.

1. Åbn pakken.
2. Læs dokumentationen, der følger med i pakken.
3. Tag alle ikke-monterede dele ud af pakken.
4. Tag maskinen ud af pakken.
5. Bortskaf pakken og emballagen i overensstemmelse med lokale bestemmelser.

#### ▲ ADVARSEL

Af hensyn til din sikkerhed, må batteriet ikke sættes i, før værktøjet er samlet helt.

### 3.2 FASTGØR SKÆRMEN

Figur 2.

#### ▲ ADVARSEL

Rør ikke afskæringskniven.

1. Fjern skruerne fra trimmerhovedet med en Phillips-skruetrækker (medfølgende ikke).
2. Sæt skærmen på trimmerhovedet.
3. Sæt skruerhullerne på skærmen mod skruerhullerne på trimmerhovedet.
4. Spænd skruerne.
5. Sæt skærmhætten på skærmen.
6. Sæt skruerhullerne på skærmhætten mod skruerhullerne på skærmen.
7. Spænd skruerne.

## 3.3 SAMLING AF SKAFT

Figur 3.

1. Løsn skruen på koblingsstykket.
2. Skub udløserknappen ind på det nedre skaft.
3. Flugt udløserknappen med positioneringshullet, og bevæg de to skafter.
4. Drej det nedre skaft, indtil låseknapperne låser fast i positioneringshullet.

### i BEMÆRK

Udløserknappen skal sidde i positioneringshullet. Hvis det forkert hul bruges, kan det føre til personskader, eller beskadigelse af enheden.

5. Spænd skruen med umbraco-nøglen.

## 3.4 FASTGØR STØTTEHÅNDTAGET

Figur 4.

1. Løsn midterknappen.
2. Fjern hættten og den nedre støtte.

### i BEMÆRK

Sørg for, at fjederen i støtten følger med.

3. Sæt støttehåndtaget i nedre støtte.
4. Sæt hættten på nedre støtte.
5. Sæt hele blokken i kabinettet på akslen.
6. Sæt støttehåndtaget i en komfortable position.
7. Lås støttehåndtaget med midterknappen.

## 3.5 BRUG AF SKULDERREMME

Figur 5.

1. Sæt karabinen på bærebøjlen på stangen.
2. Tag skulderremmen på.
3. Juster stropkens længde, så karabinen er ca. en hånds bredde under din højre hofte.

## 3.6 SÆT BATTERIPAKKEN I

Figur 6.

### ▲ ADVARSEL

- Hvis batteriet eller opladeren er beskadiget, skal du skifte batteriet eller opladeren.
- Stop maskinen og vent, indtil motoren stopper, før du sætter batteriet i eller tager det ud.
- Læs, forstå og følg instruktionerne i batteri- og opladervejledningen.

1. Sæt løfteribberne på batteripakken sammen med rillerne i batterirummet.
2. Tryk batteriet ind i batterirummet, indtil batteripakken låses på plads.

3. Når du hører et klik, er batteripakken sat i.

## 3.7 FJERN BATTERIPAKKEN

Figur 6.

1. Hold batteriudløserknappen nede.
2. Tag batteripakken ud af maskinen.

## 4 BETJENING

### i VIGTIGT

Læs og forstå sikkerhedsforskrifterne og betjeningsvejledningen, inden maskinen tages i brug.

### ▲ ADVARSEL

Vær forsigtig, når du betjener maskinen.

## 4.1 START MASKINEN

Figur 7.

1. Tryk på låseknappen, og derefter på udløseren.

## 4.2 STOP MASKINEN

Figur 7.

1. Slip udløseren for, at stoppe maskinen.

## 4.3 TIPS TIL BRUG

Figur 8.

### ▲ ADVARSEL

Hold afstand mellem kroppen og maskinen.

### ▲ ADVARSEL

Brug ikke maskinen uden skærmen.

### Brug disse tips, når du bruger maskinen

- Hold maskinen i selen, og sørg for, at selen sidder ordentligt på kroppen.
- Hold fast i maskinen med to hænder, når den er i brug.
- Højt græs skal slås fra oven og ned.

### Hvis græs vikles rundt om trimmerhovedet:

- Fjern batteripakken.
- Fjern græsset.

## 4.4 TIPS TIL KLIPNING

Figur 9.

- Hold maskinen mod området, der skal klippes. Slå græsset med enden af klippesnoren.

- Flyt maskinen fra højre til venstre, så affald ikke slynges mod brugeren.
- Undgå, at slå græs i farlige områder.
- Tving ikke trimmerhovedet ind i tæt og højt græs.
- Ledninger og hegn kan slide og ødelægge klippesnoren. Sten, murvægge, kantsten og træ kan hurtigt slide klippesnoren.

## 4.5 JUSTER KLIPPESNORENS LÆNGDE

Figur 10.

Når maskinen bruges, slides klippesnoren, som med tiden bliver kortere. Klippesnorens længde kan justeres.

1. Slå trimmerhovedet mod jorden, når maskinen er i brug.
2. På den måde frigives snoren automatisk, og afskæringskniven skærer automatisk snoren over i den rigtige længde.

## 4.6 JUSTERING AF KLIPPEDIAMETEREN

Figur 11.

### i BEMÆRK

Maskinen har en indstillet 356 mm klippediameter. Denne klippediameter 406 mm kan justeres.

Indstil klippediameteren til 356 mm for bedre driftstid og 406 mm for, at klippe større områder.

1. Fjern batteripakken.
2. Fjern skrueerne i afskæringskniven.
3. Drej afskæringskniven 180°.
4. Spænd skrueerne.

## 4.7 AFSKÆRINGSKNIV TIL SNOR

Figur 11.

Denne trimmer er udstyret med en afskæringskniv til snor, der sidder på skærmen. Afskæringskniven til snor skærer løbende snoren til, så trimmediameteren forbliver ens og effektiv. Træk snor ud, når du hører maskinen køre hurtigere, eller hvis trimningen bliver mindre effektiv. Dette vil opretholde den bedste ydelse og holde snoren lang nok til at trimme korrekt.

## 5 VEDLIGEHOLDELSE

### i VIGTIGT

Læs og forstå sikkerhedsforskrifterne og vedligeholdelsesanvisningerne, inden du rengør, reparerer eller udfører vedligeholdelsesarbejdet på maskinen.

### i VIGTIGT

Sørg for, at alle møtrikker, bolte og skruer er strammet. Kontroller regelmæssigt håndtagene, og sørg for, at de er skruet ordenligt på.

### i VIGTIGT

Brug kun reservedele og tilbehør fra den oprindelige producent.

## 5.1 GENERELLE OPLYSNINGER

### i VIGTIGT

Kun din forhandler eller det autoriserede servicecenter må udføre vedligeholdelsesarbejde, der ikke er angivet i denne vejledning.

Inden der udføres vedligeholdelsesarbejde på maskinen:

- Stop maskinen.
- Fjern batteripakken.
- Køl motoren ned.
- Opbevar maskinen på et køligt og tørt sted.
- Brug ordentligt tøj, beskyttelseshandsker og sikkerhedsbriller.

## 5.2 RENGØR MASKINEN

- Rengør maskinen efter hvert brug med en fugtig klud, dyppet i et neutralt rengøringsmiddel.
- Plastdelene og håndtagene må ikke rengøres med aggressive rengøringsmidler eller opløsningsmidler, såsom glasrens.
- Hold trimmerhovedet fri for græs, blade eller større mængder fedt.
- Hold luftåbningerne rene og fri for affald, for at undgå overophedning og beskadigelse af motoren.
- Sprøjt ikke vand på motoren eller de elektriske komponenter.

## 5.3 UDSKIFT SPOLEN

Figur 12 - 20.

1. Tryk på tapperne på siden af trimmerhovedet samtidig.
2. Træk i spoledækslet, og tag det af.
3. Fjern resten af spolen.
4. Sæt spolen i spoledækslet.

### i BEMÆRK

Sørg for, at klippesnoren er i rillen på den nye spole, og træk den ca. 15 cm ud, før den nye spole sættes i.

5. Stik enderne af klippesnoren gennem hullerne.

6. Træk klippesnoren ud, så den frigøres fra rillen på spolen.
7. Sæt spolen og spoledækslet i trimmerhovedet.
8. Tryk på spoledækslet indtil det klikkes på plads.

## 5.4 UDSKIFT KLIPPESNOREN

Figur 14 - 16.

### i BEMÆRK

Fjern resten af klippesnoren på spolen.

### i BEMÆRK

Brug kun slippesnor af nylon, med en diameter på 2 mm .

1. Klip en klippesnor på ca. 3 meter.
2. Bøj snoren på midten, og stik løkken i rillen midt på spolens side. Sørg for, at snoren klemmes fast i rillen.
3. Hold din finger mellem snorene, vikl snorene lige og tætt om spolen i den angivne retning.
4. Sæt snorene i rillerne.
5. Vikl ikke snorene ud over kanten på spolen.

## 5.5 MONTERING AF TRIMMERHOVEDET

Figur 21.

1. Sæt afstandsstykket korrekt på akslen.
2. Fastgør den indre ringmøtrik på den indre kop i den viste retning.
3. Sørg for, at ringene på den indre ringmøtrik passer perfekt sammen med vinkeloverføringen.
4. Sæt skruenøglen i det specificerede vinkeloverføringshul.
5. Drej trimmerhovedet og tryk på skruenøglen, indtil skruenøglen går i indgreb med hullet til den indre ringmøtrik, der blokerer drejningen.
6. Montering af trimmerhovedet.
7. Drej trimmerhovedet mod uret for, at spænde det fast.
8. Fjern spændenøglen.

### i VIGTIGT

Afskæringskniven skal sættes på maskinen, når trimmerhovedet bruges.

## 5.6 FJERN TRIMMERHOVEDET

Figur 21.

1. Sæt skruenøglen i det specificerede vinkeloverføringshul.

2. Drej trimmerhovedet og tryk på skruenøglen, indtil skruenøglen går i indgreb med hullet til den indre ringmøtrik, der blokerer drejningen.
3. Drej trimmerhovedet med uret for, at løsne det. Fjern afstandsstykket ikke fra akslen.

## 5.7 SÆT FJEDERKNOPPEN PÅ IGEN

Figur 13.

1. Tryk på tapperne på siden af trimmerhovedet samtidig.
2. Træk i spoledækslet, og tag det af.
3. Tag spolen af.
4. Hold fjederknoppen, og vrid den ud med en metalstang (medfølger ikke).
5. Sæt den nye fjederknop på plads i spolehuset.

## 5.8 MONTERING AF BUSKRYDDEREN

Figur 22 - 23.

### ▲ ADVARSEL

Brug handsker, og pas på de skarpe kanter.

### ▲ ADVARSEL

Sæt skærmen på klingens.

1. Sæt afstandsstykket korrekt på akslen.
2. Fastgør den indre ringmøtrik på den indre kop i den viste retning.
3. Sørg for, at ringene på den indre ringmøtrik passer perfekt sammen med vinkeloverføringen.
4. Fastgør klingens og den ydre ringmøtrik med den flade del mod klingens.
5. Fastgør den ydre kop, uden at spænde møtrikken.
6. Sæt skruenøglen i det specificerede vinkeloverføringshul.
7. Drej klingens og tryk på skruenøglen, indtil klingens passer i hullet til den indre ringmøtrik, der blokerer drejningen.
8. Stram møtrikken mod uret med en 19 mm eller 3/4 skruenøgle (44/58 Nm).

## 5.9 FJERNELSE AF BUSKRYDDEREN

Figur 22 - 23.

### ▲ ADVARSEL

Sæt skærmen på klingens.

1. Sæt skruenøglen i det specificerede vinkeloverføringshul.

2. Drej klingen og tryk på skruenøglen, indtil skruenøglen går i indgreb med hullet til den indre ringmøtrik, der blokerer drejningen.
3. Løsn møtrikken med uret, og fjern den ydre kop.
4. Fjern den ydre ringmøtrik, klinge, den indvendige kop og den indvendige ringmøtrik. Fjern afstandsstykket ikke fra akslen.

## 6 TRANSPORT OG OPBEVARING

### 6.1 FLYTNING AF MASKINEN

Når du flytter maskinen, skal du:

- Brugte handsker.
- Stoppe maskinen.
- Fjern batteripakken.
- Sæt skeden på klingen.

### 6.2 OPBEVARING AF MASKINEN

- Tag batteripakken ud af maskinen, og oplad den.
- Sørg for, at børn ikke kommer i nærheden af maskinen.
- Hold maskinen væk fra ætsende stoffer, som f.eks. havekemikalier og afisningssalte.
- Fastgør maskinen under transport for, at undgå beskadigelse og personskader. Rengør og undersøg maskinen for eventuelle skader.

## 7 FEJLFINDING

Problem	Mulig årsag	Løsning
Maskinen starter ikke, når du trykker på udløseren.	Ingen elektrisk kontakt mellem maskinen og batteriet.	1. Fjern batteripakken. 2. Kontroller kontakten, og sæt batteriet i igen.
	Batteriet er løbet tør for strøm.	Oplad batteriet.
	Låseknappen og udløseren trykkes ikke ned på samme tid.	1. Tryk låseknappen ned, og hold den nede. 2. Tryk på udløseren for, at starte maskinen.

Problem	Mulig årsag	Løsning
Maskinen stopper, når du klipper.	Skærmen er ikke ordentligt fastgjort på maskinen.	Tag batteriet ud, og sæt skærmen på maskinen.
	Der bruges kraftig klippesnor.	Brug kun slippesnor af nylon, med en diameter på 2 mm .
	Græsset vikler rundt om motorakslen eller trimmerhovedet.	1. Stop maskinen. 2. Fjern batteripakken. 3. Fjern græsset fra motorakslen og trimmerhovedet.
	Motoren er overbelastet.	1. Fjern trimmerhovedet fra græsset. 2. Motoren begynder, at virke igen, så snart den ikke er overbelastet længere. 3. Når du klipper, skal du flytte trimmerhovedet ind og ud af græsset, og klip ikke mere end 8" ad gangen.
Batteripakken eller maskinen er for varm.		1. Nedkøl batteriet, indtil det begynder, at virke normalt igen. 2. Lad maskinen køle ned i ca. 10 minutter.
	Batteripakken er afbrudt fra værktøjet.	Sæt batteripakken i igen.
	Batteriet er løbet tør for strøm.	Oplad batteriet.
Snoren går ikke ud.	Snorene er smeltet sammen.	Smør med silikonespray.
	Der er ikke nok snor på spolen.	Sæt mere snor i spolen.
	Snorene er nedslidte og for korte.	Træk mere klippesnor ud.
	Snorene er viklet samme på spolen.	1. Tag snorene af spolen. 2. Vikl snorene rundt om spolen.



Problem	Mulig årsag	Løsning
Snoren bliver ved med, at gå i stykker.	Maskinen bruges forkert.	1. Klip med enden af snorene. Undgå sten, vægge og andre hårde genstande. 2. Træk regelmæssige klippesnoren ud, så maskinen altid klipper med den fulde klippebredde.
Græsset vikler sig rundt trimmerhovedet og motorhuset.	Græsset klippes ved jordoverfladen.	1. Højt græs skal slås fra oven og ned. 2. Klip højst 8" hver gang, så du undgår indvikling.
Klippesnoren klipper ikke særlig godt.	Afskæringskniven er døv.	Slib afskæringskniven med en fil, eller skift den.
Maskinen vibrerer meget.	Snoren er nedslidt på den ene side, og ikke trukket ud i tide.	Sørg for, at stregen på begge sider er lige. Træk snoren ud.

## 8 TEKNISKE DATA

Spænding	40 V	
Hastighed uden belastning	6300 ±10%OPM (græstrimmer), 6800±10%OPM (buskrydder)	
Trimmerhoved	Trimmersnor i fjederhoved/klinge til buskrydding	
Trimmersnoren diameter	2 mm	
Trimmesporets diameter	356/406mm (græstrimmer) 254 (buskrydder)	
Vægt (uden batteripakke)	4.5 kg	
Batterimodel	G40B2/G40B25/G40B4 og andre BAF serier	
Opladermodel	G40C og andre CAF serier	
Græstrimmer	Målt lydtrykniveau	$L_{PA}=78.4 \text{ dB(A)}$ , $K_{PA}=3 \text{ dB (A)}$
	Garanteret lydeffektniveau	$L_{WA,d}=96 \text{ dB (A)}$
	Vibration	$<2.5 \text{ m/s}^2$ , $k=1.5 \text{ m/s}^2$

Buskrydder	Målt lydtrykniveau	$L_{PA}=82.8 \text{ dB(A)}$ , $K=3 \text{ dB (A)}$
	Garanteret lydeffektniveau	$L_{WA,d}=101 \text{ dB (A)}$
	Vibration	$<2.5 \text{ m/s}^2$ , $k=1.5 \text{ m/s}^2$



96 dB. Støjniveau. (Græstrimmer)

101 dB. Støjniveau. (Buskrydder)

## 9 GARANTI

(Alle vilkårene og betingelserne for garantien kan findes på Greenworks hjemmesiden [www.greenworkstools.eu](http://www.greenworkstools.eu))

Garantien Greenworks gælder i 3 år for produktet og 2 år for batterier (forbruger/privat brug) fra købsdatoen. Denne garanti dækker produktionsfejl. Et defekt produkt under garantien kan enten repareres eller udskiftes. En enhed, der er blevet misbrugt eller brugt på andre måder, end beskrevet i brugervejledningen, dækkes ikke af garantien. Normalt slid og slid af dele betragtes dækkes ikke af garantien. Den originale garanti fra producenten påvirkes ikke af andre garantier fra en forhandler.

Et defekt produkt skal returneres til købsstedet (kvittering) sammen med købsbevis, for at bruge garantien.

## 10 EF-OVERENSSTEMMELSESERKLÆRING

DA

Navn og adresse på fabrikanten

Navn: GLOBGRO AB

Globe Group Europe

Adresse: Riggaregatan 53, 211 13 Malmö, Sverige

Navn og adresse på den person, der er bemyndiget til at udarbejde den tekniske fil:

Navn: Micael Johansson

Adresse: Riggaregatan 53, 211 13 Malmö, Sverige

Heraf erklærer vi, at produktet

Kategori: Kantklipper / Buskrydder

Model: 2105707(STF457)

Serienummer: Se typeskiltet på produktet

Produktionsår: Se typeskiltet på produktet

- er i overensstemmelse med de relevante bestemmelser i maskindirektivet 2006/42/EF.
- er i overensstemmelse med bestemmelserne i følgende andre EF-direktiver:
  - 2014/30/EU
  - 2000/14/EF & 2005/88/EF
  - 2011/65/EU & (EU)2015/863

Desuden erklærer vi, at følgende (dele/klausuler fra) harmoniserede standarder er blevet brugt:

- EN 60335-1; EN 50636-2-91; EN 62233; EN 55014-1; EN 55014-2 ; EN ISO 3744; EN ISO 3744; ISO 11094; EN ISO 11806-1; IEC 62321-7-2; IEC 62321-4; IEC 62321-5; IEC 62321-6; IEC 62321-7-1; IEC 62321-8; IEC 62321-3-1.

Overensstemmelsesvurderingsmetode til bilag VI direktiv 2000/14/EF.

Kantklipper

Målt lydeffektniveau  $L_{WA}$  : 93.3 dB (A)

Garanteret lydeffektniveau:  $L_{WA,d}$  : 96 dB (A)

Buskrydder

Målt lydeffektniveau  $L_{WA}$  : 97.3dB (A)

Garanteret lydeffektniveau:  $L_{WA,d}$  : 101dB (A)

Sted, dato: Underskrift: Ted Qu, kvalitetsdirektør

Malmö, 7.28.2021

Ted Qu

<b>1</b>	<b>Opis.....</b>	<b>98</b>	4.7	Ostrze tnące żyłki.....	100
1.1	Cel.....	98	<b>5</b>	<b>Konserwacja.....</b>	<b>100</b>
1.2	Informacje ogólne.....	98	5.1	Ogólne informacje.....	100
<b>2</b>	<b>Bezpieczeństwo.....</b>	<b>98</b>	5.2	Wyczyść urządzenie.....	100
<b>3</b>	<b>Instalowanie.....</b>	<b>98</b>	5.3	Wymień szpulę.....	101
3.1	Rozpakuj urządzenie.....	98	5.4	Wymień żyłkę tnącą.....	101
3.2	Zamocuj osłonę.....	98	5.5	Zamontuj głowicę obcinarki.....	101
3.3	Montaż trzonka.....	99	5.6	Wyjmij głowicę obcinarki.....	101
3.4	Zamocuj uchwyt pomocniczy.....	99	5.7	Włóż z powrotem gałkę uderzeniową.....	101
3.5	Używaj paska na ramię.....	99	5.8	Zamontuj wykaszarkę do zarośli.....	101
3.6	Zainstalować akumulator.....	99	5.9	Wyjmij wykaszarkę do zarośli.....	102
3.7	Wyjmij akumulator.....	99	<b>6</b>	<b>Transport i przechowywanie..</b>	<b>102</b>
<b>4</b>	<b>Działanie.....</b>	<b>99</b>	6.1	Przesuń urządzenie.....	102
4.1	Włącz urządzenie.....	99	6.2	Przechowuj urządzenie.....	102
4.2	Wyłącz urządzenie.....	99	<b>7</b>	<b>Rozwiązywanie problemów....</b>	<b>102</b>
4.3	Rady dotyczące działania.....	99	<b>8</b>	<b>Dane techniczne.....</b>	<b>103</b>
4.4	Wskazówki dotyczące cięcia.....	100	<b>9</b>	<b>Gwarancja.....</b>	<b>104</b>
4.5	Ustaw długość żyłki tnącej.....	100	<b>10</b>	<b>Deklaracja zgodności WE.....</b>	<b>104</b>
4.6	Wyregulować średnicę koszenia.....	100			

## 1 OPIS

### 1.1 CEL

Urządzenie to jest przeznaczone do cięcia trawy, małych chwastów i innych podobnych roślin na poziomie ziemi. Płaszczyzna cięcia musi być ustawiona w przybliżeniu równoległe do powierzchni ziemi. Urządzenie nie może być używane do cięcia lub rąbania żywoptłotów, krzewów, krzaków, kwiatów lub kompostu.

### 1.2 INFORMACJE OGÓLNE

Rysunek 1 - 23.

- 1 Spust
- 2 Przycisk odblokowujący
- 3 Górny wał
- 4 Uchwyt pomocniczy
- 5 Dolny wał
- 6 Osłona
- 7 Ostrze tnące
- 8 Głowica tnąca
- 9 Zakrętka osłony
- 10 Ostrze
- 11 Przycisk zwalniający
- 12 Otwór ustawczy
- 13 Klucz imbusowy
- 14 Środkowe pokrętko
- 15 Dekielek
- 16 Dolna podpora
- 17 Pokrywka szpuli
- 18 Szpula
- 19 Zaczep
- 20 Otwór wyjściowy żyłki
- 21 Klucz
- 22 Nakrętka
- 23 Zewnętrzna zakrętka
- 24 Zewnętrzna nakrętka pierścienia
- 25 Wewnętrzna zakrętka
- 26 Otwór przekładni kątowej
- 27 Gałka uderzeniowa
- A Kierunek obrotów
- B Najlepszy obszar koszenia
- C Niebezpieczny obszar koszenia

## 2 BEZPIECZEŃSTWO

### ▲ OSTRZEŻENIE

Upewnij się, że postępujesz zgodnie ze wszystkimi instrukcjami bezpieczeństwa.

Zapoznaj się z Instrukcjami bezpieczeństwa.

## 3 INSTALOWANIE

### ▲ OSTRZEŻENIE

Wymij akumulator z urządzenia przed instalacją.

### ▲ OSTRZEŻENIE

Nie używaj akcesoriów niezalecanych dla tego urządzenia.

### 3.1 ROZPAKUJ URZĄDZENIE

#### ▲ OSTRZEŻENIE

Upewnij się, że urządzenie zostało poprawnie złożone przed użyciem.

#### ▲ OSTRZEŻENIE

- Jeśli części urządzenia są uszkodzone, nie używać urządzenia.
- Jeśli brakuje części, nie używaj urządzenia.
- Jeśli części są uszkodzone, lub brakuje części, skontaktuj się z punktem serwisowym.

1. Otwórz opakowanie.
2. Przeczytaj dokumentację załączoną w pudełku.
3. Wymij wszystkie niezłożone części z pudełka.
4. Wymij urządzenie z pudełka.
5. Wyrzuć pudełko i opakowanie zgodnie z lokalnymi rozporządzeniami.

#### ▲ OSTRZEŻENIE

Dla własnego bezpieczeństwa nie należy wkładać baterii przed całkowitym montażem narzędzia.

### 3.2 ZAMOCUJ OSŁONĘ

Rysunek 2.

#### ▲ OSTRZEŻENIE

Nie dotykaj ostrza tnącego.

1. Wymij śruby z głowicy obcinarki za pomocą śrubokręta krzyżakowego (do zakupienia osobno).
2. Umieść osłonę w głowicy przycinarki.
3. Wyrównaj otwory śrub w osłonie z otworami śrub na głowicy przycinarki.
4. Przykręć śruby.
5. Włóż zakrętkę osłony do osłony.
6. Wyrównaj otwory śrub w zakrętce osłony z otworami śrub na osłonie.
7. Przykręć śruby.

## 3.3 MONTAŻ TRZONKA

Rysunek 3.

1. Poluzować śrubę na sprzęgaczu.
2. Wcisnąć przycisk zwalnający na dolnej części trzonka.
3. Dopasować przycisk zwalnający do otworu pozycjonującego i przesunąć dwie części trzonka.
4. Obrócić dolną część trzonka, aż przycisk zablokuje się w otworze pozycjonującym.

### **i UWAGA**

Przycisk zwalnający musi pewnie zablokować się w otworze pozycjonującym. Użycie niewłaściwego otworu może doprowadzić do urazów użytkownika lub spowodować uszkodzenie narzędzia.

5. Dokręcić śrubę kluczem imbusowym.

## 3.4 ZAMOCUJ UCHWYT POMOCNICZY.

Rysunek 4.

1. Poluznij środkowe pokrętko.
2. Wyjmij zakrętkę z dolnej podpory.

### **i UWAGA**

Nie zapomnij o sprężynie w podporze.

3. Włóż pomocniczy uchwyt do dolnej podpory.
4. Włóż zakrętkę na dolną podporę.
5. Włóż całość do obudowy na wale.
6. Ustaw pomocniczy uchwyt w wygodnej pozycji..
7. Zablokuj pomocniczy uchwyt ze środkowym pokrętkiem.

## 3.5 UŻYWAJ PASKA NA RAMIĘ.

Rysunek 5.

1. Przymocuj karabinek do pierścienia do noszenia na tył.
2. Włóż pasek na ramię.
3. Ustaw długość paska, tak by karabinek znajdował się poniżej Twoim prawym biodrem w odległości mniej więcej ręki.

## 3.6 ZAINSTALOWAĆ AKUMULATOR.

Rysunek 6.

### **▲ OSTRZEŻENIE**

- Jeśli akumulator lub ładowarka są uszkodzone, wymień je.
- Wyłącz urządzenie i odczekaj, aż silnik zatrzyma się zanim zainstalujesz lub wyjmiesz akumulator.
- Przeczytaj, zapoznaj się i wykonuj instrukcje w podręczniku akumulatora i ładowarki.

1. Wyrównaj wzmocnione prowadnice z rowkami w schowku na baterie.
2. Włóż akumulator do schowka na baterie aż do zablokowania się w miejscu.
3. Akumulator jest zainstalowany, jeśli usłyszysz kliknięcie.

## 3.7 WYJMIJ AKUMULATOR.

Rysunek 6.

1. Popchnij i przytrzymaj przycisk zwolnienia akumulatora.
2. Wyjmij akumulator z urządzenia.

## 4 DZIAŁANIE

### **i WAŻNE**

Przed obsługą urządzenia przeczytaj ze zrozumieniem rozporządzenia dotyczące bezpieczeństwa i instrukcje obsługi.

### **▲ OSTRZEŻENIE**

Zachowaj ostrożność podczas obsługi urządzenia.

## 4.1 WŁĄCZ URZĄDZENIE

Rysunek 7.

1. Popchnij przycisk odblokowania i pociągnij za spust.

## 4.2 WYŁĄCZ URZĄDZENIE

Rysunek 7.

1. Zwolnienie spustu zatrzymuje pracę urządzenia.

## 4.3 RADY DOTYCZĄCE DZIAŁANIA

Rysunek 8.

### **▲ OSTRZEŻENIE**

Zachowaj odstęp między ciałem a urządzeniem.

### **▲ OSTRZEŻENIE**

Nie obsługuj urządzenia bez zamontowanej osłony.

**Pamiętaj o tych wskazówkach podczas obsługi urządzenia.**

- Urządzenie powinno być połączone z odpowiednio założonymi szelkami.
- Trzymaj mocno urządzenie dwoma rękoma podczas obsługi.
- Tnij trawę z góry w dół.

#### Jeśli trawa owinie się wokół głowicy obcinarki:

- Wyjmij akumulator.
- Usuń trawę.

## 4.4 WSKAZÓWKI DOTYCZĄCE CIĘCIA

Rysunek 9.

- Przechył urządzenie w kierunku obszaru do koszenia. Użyj końcówki żyłki tnącej do koszenia trawy.
- Przesuwaj urządzenie z prawej do lewej strony, by uniknąć wyrzucania odpadów w stronę operatora.
- Nie koś na niebezpiecznym obszarze.
- Nie forsować głowicy obcinarki do nieskoszonej trawy.
- Przewody i płyty sztachetowe powodują zużycie żyłki tnącej i pęknięcia. Kamienie i ściany z cegieł, krawężniki i drewno mogą spowodować szybkie zużycie żyłki tnącej.

## 4.5 USTAW DŁUGOŚĆ ŻYŁKI TNĄCEJ

Rysunek 10.

Podczas obsługi urządzenia żyłka tnąca zużywa się i staje się krótsza. Możesz ustawić długość żyłki tnącej.

1. Uderz głowicą obcinarki w podłoże podczas obsługi urządzenia.
2. Żyłka poluzuje się automatycznie i ostrze tnące utnie nadmierną długość.

## 4.6 WYREGULOWAĆ ŚREDNICĘ KOSZENIA

Rysunek 11.

### i UWAGA

Urządzenie jest ustawione na 356 mm średnicy koszenia. Możesz ustawić do 406 mm średnicy koszenia.

Wyregulować średnicę koszenia 356 mm dla dłuższego czasu działania i 406 mm dla większego obszaru koszenia.

1. Wyjmij akumulator.
2. Wyjmij śruby ostrzy z ostrza tnącego.
3. Obróć ostrze tnące o 180°.
4. Przykręć śruby ostrza.

## 4.7 OSTRZE TNĄCE ŻYŁKI

Rysunek 11.

Obcinarka jest wyposażona w ostrze tnące żyłki na osłonie. Ostrze tnące żyłki przycina ciągle żyłkę, by zapewnić średnicę stałego i skutecznego cięcia. Wyśuń żyłkę, gdy tylko usłyszysz, że silnik działa szybciej niż zwykle lub gdy skuteczność cięcia zmniejsza się. Dzięki temu utrzymasz skuteczność i zapewnisz odpowiednią długość żyłki do pracy.

## 5 KONSERWACJA

### i WAŻNE

Przeczytaj ze zrozumieniem rozporządzenia dotyczące bezpieczeństwa i instrukcje konserwacji przed przystąpieniem do czyszczenia, naprawy lub czynności konserwacyjnych na urządzeniu.

### i WAŻNE

Upewnij się, że wszystkie nakrętki, śruby i wkręty są mocno przykręcone. Regularnie kontroluj stopień przymocowania uchwyty.

### i WAŻNE

Używaj tylko części zamiennych i akcesoriów oryginalnego producenta.

## 5.1 OGÓLNE INFORMACJE

### i WAŻNE

Tylko dystrybutor lub autoryzowany punkt serwisowy mogą przeprowadzić czynności konserwacyjne, które nie są opisane w niniejszych instrukcjach.

Przed przystąpieniem do działań konserwacyjnych:

- Wyłącz urządzenie.
- Wyjmij akumulator.
- Odczekaj aż silnik ostygnie.
- Urządzenie przechowywać w chłodnym i suchym miejscu.
- Noś odpowiednie ubranie, rękawice ochronne i okulary ochronne.

## 5.2 WYCZYŚĆ URZĄDZENIE.

- Czyść urządzenie po każdym użyciu wilgotną szmatką zamoczoną w neutralnym detergencie.
- Nie używaj żrących detergentów lub rozpuszczalników typu „do czyszczenia szkła” do czyszczenia plastikowych części lub uchwytów.
- Sprawdź, czy w głowicy obcinarki nie ma trawy, liści lub nadmiernego smaru.

- Pilnij, by otwory wentylacyjne były czyste i wolne od zanieczyszczeń, by uniknąć przegrzania i uszkodzenia silnika.
- Nie pryskaj wodą na silnik i elektryczne części.

## 5.3 WYMIENIĆ SZPUŁĘ

Rysunek 12 - 20.

1. Popychaj zakładki z dwóch stron głowicy obcinarki jednocześnie.
2. Pociągnij i wyjmij pokrywę szpuli.
3. Wyjmij szpułę.
4. Włóż szpułę do pokrywy szpuli.

### **i UWAGA**

Upewnij się, że żyłka tnąca znajduje się w szczelinie na nowej szpuli i że jest rozciągnięta na około 15 cm zanim zainstalujesz nową szpułę.

5. Włóż końcówki żyłek tnących do otworów.
6. Rozciągnij żyłkę tnącą, by uwolnić ją ze szczeliny przewodnicy na szpuli.
7. Włóż szpułę i pokrywę szpuli na głowicę obcinarki.
8. Popchnij pokrywę szpuli aż się zablokuje.

## 5.4 WYMIENIĆ ŻYŁKĘ TNĄCĄ

Rysunek 14 - 16.

### **i UWAGA**

Wyjąć [pozostałe kawałki żyłki w szpuli.

### **i UWAGA**

Używaj tylko nylonowej żyłki tnącej o 2 mm średnicy.

1. Utnij kawałek żyłki o długości około 3 m.
2. Zegnij żyłkę pośrodku i przeciągnij pętlę do szczeliny pośrodku obrzeża szpuli. Upewnij się, że żyłka zablokowała się w pozycji.
3. Ustaw palec między żyłkami i zawiń je równo i mocno wokół szpuli w oznaczonym kierunku.
4. Umieść żyłkę w otworach przewodnicy.
5. Nie zawiązaj żyłki poza krawędź szpuli.

## 5.5 ZAMONTUJ GŁOWICĘ OBCINARKI.

Rysunek 21.

1. Włóż dystansownik poprawnie na wale.
2. Przymocuj wewnętrzną nakrętkę pierścienia do wewnętrznej zakrętki w oznaczonym kierunku.
3. Upewnij się, że szczeliny w wewnętrznej nakrętce pierścienia są idealnie wyrównane ze szczelinami przekładni kątowej.

4. Włóż klucz imbusowy do otworu przekładni kątowej.
5. Obróć głowicę obcinarki i popchnij klucz aż do jego zablokowania w otworze wewnętrznej nakrętki pierścienia blokując obroty.
6. Zamontuj głowicę obcinarki.
7. Obróć głowicę obcinarki przeciwnie do ruchów wskazówek zegara, by ją przykręcić.
8. Wyjmij klucz.

### **i WAŻNE**

Należy zamontować ostrze tnące, gdy używasz głowicy obcinarki.

## 5.6 WYMIJ GŁOWICĘ OBCINARKI

Rysunek 21.

1. Włóż klucz imbusowy do otworu przekładni kątowej.
2. Obróć głowicę obcinarki i popchnij klucz aż do jego zablokowania w otworze wewnętrznej nakrętki pierścienia blokując obroty.
3. Obróć głowicę obcinarki zgodnie z ruchem wskazówek zegara, by ją poluzować. Nie zdejmuj dystansownika z wału.

## 5.7 WŁÓŻ Z POWROTEM GAŁKĘ UDERZENIOWĄ

Rysunek 13.

1. Popychaj zakładki z dwóch stron głowicy obcinarki jednocześnie.
2. Pociągnij i wyjmij pokrywę szpuli.
3. Wyjmij szpułę.
4. Przytrzymaj gałkę uderzeniową i wypchnij ją za pomocą metalowego pręta (nie załączony).
5. Włóż nową gałkę do obudowy szpuli.

## 5.8 ZAMONTUJ WYKASZARKĘ DO ZAROŚLI

Rysunek 22 - 23.

### **▲ OSTRZEŻENIE**

Załóż rękawice i uważaj na ostre krawędzie.

### **▲ OSTRZEŻENIE**

Przyciśnij osłonę do ostrza.

1. Włóż dystansownik poprawnie na wale.
2. Przymocuj wewnętrzną nakrętkę pierścienia do wewnętrznej zakrętki w oznaczonym kierunku.

3. Upewnij się, że szczeliny w wewnętrznej nakrętce pierścienia są idealnie wyrównane ze szczelinami przekładni kątowej.
4. Przymocuj ostrze i zewnętrzną nakrętkę pierścienia, tak by płaska strona była skierowana do ostrza.
5. Przymocuj zewnętrzną zakrętkę nie dokręcając nakrętki.
6. Włóż klucz imbusowy do otworu przekładni kątowej.
7. Obróć ostrze i i popchnij klucz aż ostrze zablokuje się w otworze wewnętrznej nakrętki pierścienia blokując obroty.
8. Dokręć nakrętkę przeciwnie do ruchów wskazówek zegara za pomocą klucza 19 mm lub 3/4 in. (44/58 Nm).

### 5.9 WYMIJ WYKASZARKĘ DO ZAROŚLI

Rysunek 22 - 23.

#### ▲ OSTRZEŻENIE

Przyciśnij osłonę do ostrza.

1. Włóż klucz imbusowy do otworu przekładni kątowej.
2. Obróć ostrze i popchnij klucz aż do jego zablokowania w otworze wewnętrznej nakrętki pierścienia blokując obroty.
3. Połóż nakrętkę zgodnie z ruchem wskazówek zegara i wyjmij zewnętrzną zakrętkę.
4. Wyjmij zewnętrzną nakrętkę pierścienia, ostrze, wewnętrzną zakrętkę i zewnętrzną nakrętkę pierścienia. Nie zdejmuj dystansownika z wału.

- Zabezpiecz urządzenie podczas transportu, by uniknąć uszkodzeń i obrażeń. Wyczyść urządzenie i skontroluj, czy nie jest uszkodzone.

## 7 ROZWIĄZYWANIE PROBLEMÓW

Problem	Możliwa przyczyna	Rozwiązanie
Urządzenie nie uruchamia się, gdy pchasz za spust.	Brak styku między urządzeniem i akumulatorem.	1. Wyjmij akumulator. 2. Sprawdź styk i ponownie włóż akumulator.
	Akumulator jest wyczerpany.	Naładować akumulator.
	Przycisk odblokowania i spust nie zostały popchnięte jednocześnie.	1. Pociągnij przycisk odblokowania i przytrzymaj go. 2. Pociągnij za spust, by uruchomić narzędzie.

## 6 TRANSPORT I PRZECHOWYWANIE

### 6.1 PRZESUŃ URZĄDZENIE.

Podczas przesuwania urządzenia:

- Należy nosić rękawice.
- Wyłącz urządzenie.
- Wyjmij akumulator.
- Zamontuj osłonę ostrza.

### 6.2 PRZECHOWUJ URZĄDZENIE

- Wyjmij akumulator z maszyny i naładuj go.
- Upewnij się, że dzieci nie mogą się zbliżyć do urządzenia.
- Przechowuj urządzenie z dala od czynników korozyjnych takich jak chemiczne substancje ogrodnicze lub sole odładzające.



Problem	Możliwa przyczyna	Rozwiązanie
Urządzenie zatrzymuje się podczas koszenia.	Oslona nie jest zamocowana w urządzeniu.	Wymij akumulator i zamocuj osłonę na urządzeniu.
	Używana jest mocna żyłka tnąca.	Używaj tylko nylonowej żyłki tnącej o 2 mm średnicy.
	Trawa owija się wokół wału silnika lub głowicy obcinarki.	1. Wyłącz urządzenie. 2. Wymij akumulator. 3. Usuń trawę z wału silnika i głowicy obcinarki.
	Silnik jest przeladowany.	1. Wymij głowicę obcinarki z trawy. 2. Silnik zacznie ponownie działać po usunięciu obciążenia. 3. Podczas koszenia przesuwaj głowicę do trawy i z trawy, by kosić nie więcej niż 8" za jednym razem.
	Akumulator lub urządzenie są przegrzane.	1. Ochłódź akumulator aż zacznie normalnie działać. 2. Oczekaj, aż urządzenie ostygnie przez około 10 minut.
	Akumulator nie jest podłączony do urządzenia. Akumulator jest wyczerpany.	Zainstalować ponownie akumulator. Naładować akumulator.
Żyłka nie rozwija się.	Żyłki są zespane razem.	Nasmaruj sprejem silikonowym.
	Na szpuli nie ma wystarczająco dużo żyłki.	Zainstaluj więcej żyłki.
	Żyłki są zużyte lub zbyt krótkie.	Rozwiń żyłkę tnącą.
	Żyłki są zaplątane na szpuli.	1. Wymij żyłki ze szpuli. 2. Zawij żyłki.

Problem	Możliwa przyczyna	Rozwiązanie
Żyłka wciąż się łamie.	Urządzenie nie jest poprawnie stosowane.	1. Utnij końcówkę żyłki, unikaj kamieni, ścian i innych twardych przedmiotów. 2. Regularnie rozwijaj żyłkę tnącą, by zachować całkowitą szerokość cięcia.
Trawa zawija się wokół głowicy obcinarki i obudowy silnika.	Tnij wysoką trawę przy podłożu.	1. Tnij trawę z góry w dół. 2. Usuwać nie więcej niż 8" za jednym razem, by unikać zawiąania.
Żyłka nie tnije dobrze.	Ostrze tnące jest tępe.	Naostrz ostrze tnące pilnikiem i ponownie je zainstaluj.
Drgania stają się coraz silniejsze.	Żyłka jest zużyta z jednej strony i nie rozwija się.	Upewnij się, że linia po obu stronach jest równa. Rozwiń żyłkę.

## 8 DANE TECHNICZNE

Napięcie	40 V
Prędkość bez obciążenia	6300 ±10%rpm (Przycinarka), 6800±10%rpm (Wykaszarka do zarośli)
Głowica tnąca	Mechanizm uderzeniowy / Ostrze wykaszarki do zarośli
Średnica żyłki tnącej	2 mm
Średnica ścieżki cięcia	356/406mm (Przycinarka), 254mm (Wykaszarka do zarośli)
Waga (bez akumulatora)	4.5 kg
Model akumulatora	G40B2/G40B25/G40B4 i inne serie BAF
Model ładowarki	G40C i inne serie CAF

Przycinarka do trawnika	Mierzony poziom ciśnienia akustycznego	$L_{PA}=78.4 \text{ dB(A)}$ , $K_{PA}=3 \text{ dB(A)}$
	Gwarantowany poziom mocy akustycznej	$L_{WA,d}=96 \text{ dB(A)}$
	Drgania	$<2.5 \text{ m/s}^2$ , $k=1.5 \text{ m/s}^2$
Wykasarka do zarośli	Mierzony poziom ciśnienia akustycznego	$L_{PA}=82.8 \text{ dB(A)}$ , $K=3 \text{ dB(A)}$
	Gwarantowany poziom mocy akustycznej	$L_{WA,d}=101 \text{ dB(A)}$
	Drgania	$<2.5 \text{ m/s}^2$ , $k=1.5 \text{ m/s}^2$



96 dB. Wartość poziomu hałasu. (Przycinarka do trawnika)

101 dB. Wartość poziomu hałasu. (Wykasarka do zarośli)

## 9 GWARANCJA

(Pełne warunki gwarancji znajdują się na stronie Greenworks internetowej [www.greenworkstools.eu](http://www.greenworkstools.eu))

Produkt Greenworks objęty jest trzyletnią gwarancją a baterie - dwuletnią (klient/prywatne użytkowanie) obowiązującą od daty zakupu. Gwarancja obejmuje wady fabryczne. Wadliwy produkt objęty gwarancją może być naprawiony lub wymieniony. Urządzenie niewłaściwie używane lub używane w sposób inny od opisanego w niniejszej instrukcji traci gwarancję. Zwykłe zużycie oraz zużyte części nie są objęte gwarancją. Na oryginalną gwarancję producenta nie wpływają żadne dodatkowe gwarancje proponowane przez dystrybutora lub sprzedawcę.

Wadliwy produkt wraz z dowodem zakupu (paragon) należy odesłać do punktu zakupu, w celu reklamacji z tytułu gwarancji

## 10 DEKLARACJA ZGODNOŚCI WE

Nazwa i adres producenta:

Imię i nazwisko: GLOBGRO AB  
ko:

Globe Group Europe

Adres: Riggaregatan 53, 211 13 Malmö, Szwecja

Nazwisko i adres osoby upoważnionej do sporządzenia dokumentacji technicznej:

Imię i nazwisko: Micael Johansson  
ko:

Adres: Riggaregatan 53, 211 13 Malmö, Szwecja

My niżej podpisani oświadczamy, że produkt

Kategoria: Obcinarka żyłkowa / Wykasarka do zarośli

Model: 2105707(STF457)

Numer seryjny: Zobacz tabliczkę znamionową na produkcie

Rok produkcji: Zobacz tabliczkę znamionową na produkcie

- jest zgodny z odpowiednimi przepisami Dyrektyw w sprawie maszyn 2006/42/WE.
- spełnia wymogi określone w następujących innych dyrektywach europejskich:
  - 2014/30/EU
  - 2000/14/WE & 2005/88/WE
  - 2011/65/EU & (EU)2015/863

Ponadto oświadczamy, że użyto następujących (elementów/klauzul) zharmonizowanych norm:

- EN 60335-1; EN 50636-2-91; EN 62233; EN 55014-1; EN 55014-2; EN ISO 3744; EN ISO 3744; ISO 11094; EN ISO 11806-1; IEC 62321-7-2; IEC 62321-4; IEC 62321-5; IEC 62321-6; IEC 62321-7-1; IEC 62321-8; IEC 62321-3-1.

Metoda oceny zgodności w Aneksie VI Dyrektywy 2000/14/WE.

Przycinarka do trawnika

Zmierzony poziom mocy akustycznej:  $L_{WA} : 93.3 \text{ dB(A)}$

Gwarantowany poziom mocy akustycznej:  $L_{WA,d} : 96 \text{ dB(A)}$

Wykasarka do zarośli

Zmierzony poziom mocy akustycznej:  $L_{WA} : 97.3 \text{ dB(A)}$

Gwarantowany poziom mocy akustycznej:  $L_{WA,d} : 101 \text{ dB(A)}$

Miejsce, data: Podpis: Ted Qu, Dyrektor ds jakości

Malmö, 7.28.2021

Ted Au

<b>1 Popis.....</b>	<b>107</b>	4.7 Strunová řezací čepel.....	109
1.1 Účel.....	107	<b>5 Údržba.....</b>	<b>109</b>
1.2 Popis.....	107	5.1 Obecné informace.....	109
<b>2 Bezpečnost.....</b>	<b>107</b>	5.2 Čištění stroje.....	109
<b>3 Instalace.....</b>	<b>107</b>	5.3 Výměna cívky.....	109
3.1 Rozbalení zařízení.....	107	5.4 Výměna žací struny.....	109
3.2 Připojení chrániče.....	107	5.5 Montáž strunové hlavy.....	110
3.3 Montáž hřídele.....	107	5.6 Demontáž strunové hlavy.....	110
3.4 Připojení pomocné rukojeti.....	108	5.7 Výměna knoflíku hlavy.....	110
3.5 Použití ramenního popruhu.....	108	5.8 Montáž kotouče.....	110
3.6 Instalace akumulátoru.....	108	5.9 Demontáž kotouče.....	110
3.7 Vyjmutí akumulátoru.....	108	<b>6 Přeprava a skladování.....</b>	<b>110</b>
<b>4 Provoz.....</b>	<b>108</b>	6.1 Přeprava stroje.....	110
4.1 Spuštění stroje.....	108	6.2 Skladování stroje.....	111
4.2 Zastavení stroje.....	108	<b>7 Řešení problémů.....</b>	<b>111</b>
4.3 Provozní typy.....	108	<b>8 Technické údaje.....</b>	<b>112</b>
4.4 Návrhy týkající se ořezávání.....	108	<b>9 Záruka.....</b>	<b>112</b>
4.5 Nastavení délky žací struny.....	109	<b>10 ES prohlášení o shodě.....</b>	<b>112</b>
4.6 Nastavení záběru sečení.....	109		

## 1 POPIS

### 1.1 ÚČEL

Tento stroj slouží k sečení trávy, lehkého plevelu a další podobné vegetace na úrovni terénu. Rovina řezu musí být přibližně rovnoběžná s povrchem země. Stroj nemůžete používat k řezání nebo sekání živých plůtí, křoví, keřů, květin a kompostu.

### 1.2 POPIS

Obrázek 1 - 23.

- 1 Spouštěč
- 2 Blokovací tlačítko
- 3 Horní hřídel
- 4 Přídavná rukojeť
- 5 Spodní hřídel
- 6 Chránič
- 7 Řezací čepel
- 8 Strunová hlava
- 9 Ochranné víčko
- 10 Lišta
- 11 Uvolňovací tlačítko
- 12 Polohovací otvor
- 13 Imbusový klíč
- 14 Centrální knoflík
- 15 Víčko
- 16 Dolní podpěra
- 17 Kryt cívky
- 18 Cívka
- 19 Jazýček
- 20 Výstupní otvor struny
- 21 Klíč
- 22 Matice
- 23 Vnější manžeta
- 24 Vnější kruhová matice
- 25 Vnitřní manžeta
- 26 Otvor pro nastavení úhlu
- 27 Knoflík hlavy
- A Směr rotace
- B Nejlepší řezná plocha
- C Nebezpečná řezná plocha

## 2 BEZPEČNOST

### ▲ VAROVÁNÍ

Dodržujte všechny bezpečnostní pokyny.

Viz Bezpečnostní příručka.

## 3 INSTALACE

### ▲ VAROVÁNÍ

Před instalací vyjměte akumulátor ze stroje.

### ▲ VAROVÁNÍ

Nepoužívejte příslušenství, které se nedoporučuje pro tento stroj.

### 3.1 ROZBALENÍ ZAŘÍZENÍ

#### ▲ VAROVÁNÍ

Ujistěte se před použitím, že jste řádně sestavili stroj.

#### ▲ VAROVÁNÍ

- Pokud jsou součásti stroje poškozené, stroj nepoužívejte.
- Pokud součásti chybí, stroj nepoužívejte.
- Pokud jsou součásti poškozené nebo chybějící, obraťte se na servisní středisko.

1. Otevřete obal.
2. Přečtěte si dokumentaci přiloženou v krabici.
3. Vyjměte z krabice všechny nesestavené součásti.
4. Vyjměte stroj z obalu.
5. Zlikvidujte krabici a balicí materiály v souladu s místními předpisy.

#### ▲ VAROVÁNÍ

Pro svou osobní bezpečnost, nevkládejte akumulátor, dokud není nástroj úplně smontován.

### 3.2 PŘIPOJENÍ CHRÁNIČE

Obrázek 2.

#### ▲ VAROVÁNÍ

Nedotýkejte se řezací čepel.

1. Vyšroubujte šrouby ze strunové hlavy pomocí křížového šroubováku (není součástí dodávky).
2. Umístěte chránič na strunovou hlavu.
3. Zarovnejte otvory pro šrouby na chrániči s otvory pro šrouby na strunové hlavě.
4. Utáhněte šrouby.
5. Nasaďte ochranné víčko na chránič.
6. Zarovnejte otvory pro šrouby na ochranném víčku s otvory pro šrouby na chrániči.
7. Utáhněte šrouby.

### 3.3 MONTÁŽ HŘÍDELE

Obrázek 3.

1. Uvolněte šroub na spojce.
2. Zmáčkněte uvolňovací tlačítko na dolní hřídeli.
3. Zarovnejte uvolňovací tlačítko s polohovacím otvorem a zasuňte obě hřídele.
4. Otočte spodní hřídel, dokud tlačítko nezapadne do polohovacího otvoru.

## i POZNÁMKA

Uvolňovací tlačítko musí být upevněno v polohovacím otvoru. Použití nesprávného otvoru může vést ke zranění osob nebo poškození zařízení.

5. Utáhněte šroub pomocí imbusového klíče.

## 3.4 PŘIPOJENÍ POMOCNÉ RUKOJETI

Obrázek 4.

1. Povolte centrální knoflík.
2. Odstraňte víčko a dolní podpěru.

## i POZNÁMKA

Nepřehlédněte pružinu v podpěře.

3. Umístěte pomocnou rukojeť do dolní podpěry.
4. Dejte víčko na dolní podpěru.
5. Vložte celý blok do jeho pouzdra na hřídeli.
6. Nastavte pomocnou rukojeť do pohodlné polohy.
7. Zajistěte pomocnou rukojeť pomocí centrálního knoflíku.

## 3.5 POUŽITÍ RAMENNÍHO POPRUHU

Obrázek 5.

1. Připojte karabinu k nosnému kroužku na tyči.
2. Nasadte si ramenní popruh.
3. Nastavte délku popruhu tak, aby karabina byla podélně ruky pod pravým bokem.

## 3.6 INSTALACE AKUMULÁTORU

Obrázek 6.

## ▲ VAROVÁNÍ

- Pokud je akumulátor nebo nabíječka poškozena, vyměňte akumulátor nebo nabíječku.
- Před instalací nebo vyjmutím akumulátoru zastavte motor a počkejte, až se zastaví.
- Přečtěte si, obeznamte se a dodržujte pokyny uvedené v příručce pro akumulátor a nabíječku.

1. Zarovnejte žebra na akumulátoru s drážkami v přihrádce pro akumulátor.
2. Zatlačte akumulátor do přihrádky pro akumulátor, dokud nezapadne na místo.
3. Když uslyšíte cvaknutí, akumulátor je nainstalován.

## 3.7 VYJMUTÍ AKUMULÁTORU

Obrázek 6.

1. Stiskněte a podržte tlačítko pro uvolnění akumulátoru.
2. Vyjměte akumulátor ze stroje.

## 4 PROVOZ

### i DŮLEŽITÉ

Než začnete stroj používat, přečtěte si bezpečnostní předpisy a pokyny k obsluze a pochopte je.

### ▲ VAROVÁNÍ

Při obsluze stroje buďte opatrní.

## 4.1 SPUŠTĚNÍ STROJE

Obrázek 7.

1. Stiskněte blokovací tlačítko a stiskněte spoušť.

## 4.2 ZASTAVENÍ STROJE

Obrázek 7.

1. Uvolněte spínač pro zastavení stroje.

## 4.3 PROVOZNÍ TIPY

Obrázek 8.

### ▲ VAROVÁNÍ

Udržujte mezeru mezi tělem a strojem.

### ▲ VAROVÁNÍ

Stroj nepoužívejte bez osazeného chrániče.

### Tipy, když používáte stroj

- Stroj připojujte ke správně nasazenému postroji.
- Při práci držte stroj pevně oběma rukama.
- Vysokou trávu sečte shora dolů.

### Pokud se tráva namotá na strunovou hlavu:

- Vyjměte akumulátor.
- Odstraňte trávu.

## 4.4 NÁVRHY TÝKAJÍCÍ SE OŘEZÁVÁNÍ

Obrázek 9.

- Nakloňte stroj směrem k oblasti, která má být sečena. Použijte špičku žací struny pro sečení trávy.
- Pohybuje strojem zprava doleva, aby nedošlo k vymrštění zbytků směrem k obsluze.

- Neseďte v nebezpečné oblasti.
- Netlačte strunovou hlavu do neposečené trávy.
- Drát a kůly plotů způsobují opotřebení a roztržení žací struny. Kamenné a cihlové zdi, obrubníky a dřevo mohou rychle opotřebovat žací strunu.

## 4.5 NASTAVENÍ DÉLKY ŽACÍ STRUNY

Obrázek 10.

Během používání stroje se žací struna opotřebovává a zkracuje. Můžete nastavit délku žací struny.

1. Při práci se strojem udeřte strunovou hlavou proti zemi.
2. Struna se automaticky uvolní a řezací čepel odřeže nadměrnou délku.

## 4.6 NASTAVENÍ ZÁBĚRU SEČENÍ.

Obrázek 11.

### i POZNÁMKA

Stroj má nastaven záběr sečení na 356 mm, můžete jej přenastavit i na 406 mm.

Nastavte záběr sečení na 356 mm pro delší provoz a 406 mm pro větší plochu.

1. Vyjměte akumulátor.
2. Demontujte šrouby z řezací čepel.
3. Otočte řezací čepel o 180 °.
4. Utáhněte šrouby čepel.

## 4.7 STRUNOVÁ ŘEZACÍ ČEPEL

Obrázek 11.

Tato sekačka je vybavena řezací čepelí na ochranném krytu. Řezací čepel struny průběžně ořezává strunu pro zajištění konzistentního a efektivního průměru řezu. Prodlužte strunu vždy, když uslyšíte, že motor běží rychleji než normálně, nebo když se sníží účinnost kosení. Tím si zachováte nejlepší výkon a udržíte strunu dostatečně dlouhou, abyste mohli správně postupovat.

## 5 ÚDRŽBA

### i DŮLEŽITÉ

Před čištěním, opravou nebo údržbou stroje si přečtěte bezpečnostní předpisy a pokyny pro údržbu a pochopte je.

### i DŮLEŽITÉ

Ujistěte se, že všechny matice, šrouby a vruty jsou utažené. Pravidelně kontrolujte, zda jsou rukojeti pevně namontovány.

### i DŮLEŽITÉ

Používejte pouze náhradní díly a příslušenství od původního výrobce.

## 5.1 OBECNÉ INFORMACE

### i DŮLEŽITÉ

Pouze váš prodejce nebo schválené servisní středisko mohou provádět údržbu, která není uvedena v této příručce.

Před údržbařskými pracemi:

- Zastavte stroj.
- Vyjměte akumulátor.
- Ochlaďte motor.
- Skladujte stroj na chladném a suchém místě.
- Používejte správné oblečení, ochranné rukavice a ochranné brýle.

## 5.2 ČISTĚNÍ STROJE

- Po použití stroj očistěte vlhkým hadříkem namočeným v neutrálním čisticím prostředku.
- K čištění plastových částí nebo rukojeti nepoužívejte agresivní čisticí prostředky nebo rozpouštědla, jako je „čistič skla“.
- Udržujte ořezávač bez trávy, listí nebo nadměrné mastnoty.
- Větrací otvory udržujte čisté a bez nečistot, aby nedošlo k přehřátí a poškození motoru.
- Na motor a elektrické součásti nestříkejte vodu.

## 5.3 VÝMĚNA CÍVKY

Obrázek 12 - 20.

1. Současně zatlačte jazyčky na boční straně strunové hlavy.
2. Vytáhněte a vyjměte kryt cívky.
3. Odstraňte zbývající cívku.
4. Vložte cívku do krytu cívky.

### i POZNÁMKA

Ujistěte se, že žací struna je v štěrbíně na nové cívce a před instalací nové cívky je prodloužena přibližně o 15 cm.

5. Přesuňte konce žací struny přes otvory.
6. Vytáhněte žací strunu a uvolněte ji z vodící drážky v cívce.
7. Namontujte cívku a kryt cívky na strunovou hlavu.
8. Zatlačte kryt cívky na místo, dokud nezacvakne.

## 5.4 VÝMĚNA ŽACÍ STRUNY

Obrázek 14 - 16.

## i POZNÁMKA

Odstraňte zbývající žací strunu z cívký.

## i POZNÁMKA

Používejte pouze nylonovou žací strunu s 2 mm průměrem.

1. Odřízněte přibližně 3 m žací struny.
2. Ohněte strunu ve středu a zahákněte smyčku do štěrbiny ve středovém okraji cívký. Ujistěte se, že struna zaskočí na místo v štěrbině.
3. Pomocí prstu natočte strunu rovnoměrně a pevně kolem cívký v uvedeném směru.
4. Vložte struny do vodičích drážek.
5. Nenavíjejte struny za okraj cívký.

## 5.5 MONTÁŽ STRUNOVÉ HLAVY

Obrázek 21.

1. Vložte distanční vložku správně na hřídel.
2. Připojte vnitřní kruhovou matici k vnitřní manžetě ve vyznačeném směru.
3. Ujistěte se, že drážky vnitřní kruhové matice jsou dokonale srovnané s drážkami pro nastavení úhlu.
4. Vložte klíč do určeného otvoru pro nastavení úhlu.
5. Otočte strunovou hlavu a zatlačte klíč, dokud klíč nezachytí vnitřní kruhovou matici a zablokuje otáčení.
6. Namontujte strunovou hlavu.
7. Otočte strunovou hlavu proti směru hodinových ručiček a utáhněte ji.
8. Vyměňte klíč.

## i DŮLEŽITÉ

Při použití strunové hlavy musíte nainstalovat řezací čepel.

## 5.6 DEMONTÁŽ STRUNOVÉ HLAVY

Obrázek 21.

1. Vložte klíč do určeného otvoru pro nastavení úhlu.
2. Otočte strunovou hlavu a zatlačte klíč, dokud klíč nezachytí vnitřní kruhovou matici a zablokuje otáčení.
3. Otočte strunovou hlavu ve směru hodinových ručiček a uvolněte ji. Neodstraňujte distanční vložku z hřídele.

## 5.7 VÝMĚNA KNOFLÍKU HLAVY

Obrázek 13.

1. Současně zatlačte jazýčky na boční straně strunové hlavy.

2. Vytáhněte a vymějte kryt cívký.
3. Odstraňte cívký.
4. Podržte knoflík hlavy a vytáhněte ho s pomocí vhodného nástroje (není součástí dodávky).
5. Dejte nový knoflík hlavy do pouzdra cívký.

## 5.8 MONTÁŽ KOTOUČE

Obrázek 22 - 23.

### ▲ VAROVÁNÍ

Používejte rukavice a dávejte pozor na ostré hrany.

### ▲ VAROVÁNÍ

Nasadte chránič na čepel.

1. Vložte distanční vložku správně na hřídel.
2. Připojte vnitřní kruhovou matici k vnitřní manžetě ve vyznačeném směru.
3. Ujistěte se, že drážky vnitřní kruhové matice jsou dokonale srovnané s drážkami pro nastavení úhlu.
4. Připojte čepel a vnější kruhovou matici s plochou částí obrácenou k čepeli.
5. Připojte vnější manžetu bez utažení matice.
6. Vložte klíč do určeného otvoru pro nastavení úhlu.
7. Otočte čepel a zatlačte klíč, dokud čepel nezapadne do otvoru vnitřní kruhové matice a zablokuje otáčení.
8. Utáhněte matici proti směru hodinových ručiček pomocí klíče 19 mm nebo 3/4" (44/58 Nm).

## 5.9 DEMONTÁŽ KOTOUČE

Obrázek 22 - 23.

### ▲ VAROVÁNÍ

Nasadte chránič na čepel.

1. Vložte klíč do určeného otvoru pro nastavení úhlu.
2. Otočte čepel a zatlačte klíč, dokud klíč nezachytí vnitřní otvor kruhové matice a zablokuje otáčení.
3. Povolte matici ve směru hodinových ručiček a vymějte vnější manžetu.
4. Demontujte vnější kruhovou matici, čepel, vnitřní manžetu a vnitřní kruhovou matici. Neodstraňujte distanční vložku z hřídele.

## 6 PŘEPRAVA A SKLADOVÁNÍ

### 6.1 PŘEPRAVA STROJE

Při přemísťování stroje musíte:

- Používejte rukavice.
- Zastavte stroj.



- Vyjmoutí akumulátoru.
- Namontujte chránič čepele.

## 6.2 SKLADOVÁNÍ STROJE

- Vyjměte akumulátor ze stroje nabijte jej.
- Ujistěte se, že se děti nemohou přiblížit k zařízení.
- Uchovávejte stroj v bezpečné vzdálenosti od korozivních látek, jako jsou chemické látky a rozmrazovací soli.
- Během přepravy zajistěte stroj, aby nedošlo k jeho poškození nebo zranění. Vyčistěte a zkontrolujte stroj, zda nedošlo k jeho poškození.

## 7 ŘEŠENÍ PROBLÉMŮ

Problém	Možná příčina	Řešení
Stroj se po stisknutí spouště nespustí.	Žádný elektrický kontakt mezi strojem a baterií.	1. Vyjměte akumulátor. 2. Zkontrolujte kontakt a znovu vložte baterii.
	Akumulátor je vybitý.	Nabijte akumulátor.
	Blokovací tlačítko a spouštěč nejsou současně zmáčknuty.	1. Stiskněte blokovací tlačítko a podržte jej. 2. Stiskněte spínač a pusťte stroj.

Problém	Možná příčina	Řešení
Při řezání se stroj zastaví.	Chránič není připojen k stroji.	Vyjměte akumulátor a připevněte chránič k stroji.
	Je použita těžká žací struna.	Používejte pouze s nylonovou řezací strunou o průměru 2 mm .
	Tráva se točí kolem hřídele motoru nebo ořezávače.	1. Zastavte stroj. 2. Vyjměte akumulátor. 3. Odstraňte trávu z hřídele motoru a ořezávače.
	Motor je přetížen.	1. Vyjměte strunovou hlavu z trávy. 2. Motor se zotaví, jakmile se zatížení odstraní. 3. Při sečení přemisťujte strunovou hlavu dovnitř a ven ze sečené trávy a odstraňujte ne více než 20 cm pás.
	Akumulátor nebo stroj je příliš horký.	1. Akumulátor ochladte, dokud se jeho funkce nevrátí do normálu. 2. Stroj nechte přibližně 10 minut zchladnout.
	Akumulátor je od stroje odpojen. Akumulátor je vybitý.	Znovu zapojte akumulátor. Nabijte akumulátor.
Struna se nevysouvá.	Struny jsou k sobě spečené.	Promažte silikonovým sprejem.
	Na cívce není dostatek struny.	Nainstalujte více struny.
	Struny jsou opotřebované a příliš krátké.	Vysuňte strunu.
	Struny jsou na cívce zamotané.	1. Vyjměte struny z cívky. 2. Namotejte struny.

Problém	Možná příčina	Řešení
Struny se trhají.	Stroj je používán nesprávně.	1. Řežte pomocí hrotu čáry, vyhýbejte se kamenům, stěnám a jiným tvrdým předmětům. 2. Pravidelně posouvejte čáru řezu tak, aby byla zachována plná šířka řezu.
Tráva se namotala kolem strunové hlavy a skříně motoru.	Ořezávejte vysokou travu na úrovni země.	1. Vysokou travu sečte shora dolů. 2. V každém průchodu odstraňte maximálně 20 cm, aby nedošlo k ovinutí.
Struna špatně řeže.	Řezací čepel je tupá.	Naostřete řezací čepel pilníkem nebo ji vyměňte.
Vibrace se zřetelně zvyšují.	Struna je opotřebená na jedné straně a včas se nevysunula.	Ujistěte se, že struna je na obou koncích stejná. Vysuňte strunu.

## 8 TECHNICKÉ ÚDAJE

Napětí	40 V	
Otáčky naprázdno	6300 ±10%min <sup>-1</sup> (křovinořez), 6800±10%min <sup>-1</sup> (křovinořez)	
Řezací hlava	Čepel křovinořezu / posuv struny	
Průměr žací struny	2 mm	
Průměr dráhy řezu	356/406mm (křovinořez), 254mm (křovinořez)	
Hmotnost (bez akumulátoru)	4.5 kg	
Model akumulátoru	G40B2/G40B25/G40B4 a další BAF řady	
Model nabíječky	G40C a další CAF řady	
Křovinořez	Měřená hladina akustického tlaku	L <sub>PA</sub> =78.4 dB(A), K <sub>PA</sub> = 3 dB(A)
	Garantovaná hladina akustického výkonu	L <sub>WA,d</sub> = 96 dB(A)
	Vibrace	<2.5 m/s <sup>2</sup> , k=1.5 m/s <sup>2</sup>

Křovinořez	Měřená hladina akustického tlaku	L <sub>PA</sub> =82.8dB(A), K= 3 dB(A)
	Garantovaná hladina akustického výkonu	L <sub>WA,d</sub> =101 dB(A)
	Vibrace	<2.5 m/s <sup>2</sup> , k=1.5 m/s <sup>2</sup>



96 dB. Hodnota hluku. (Křovinořez)

101 dB. Hodnota hluku. (Křovinořez)

## 9 ZÁRUKA

(Úplné záruční podmínky naleznete na webové stránce společnosti Greenworks [www.greenworkstools.eu](http://www.greenworkstools.eu))

Záruka Greenworks je 3 roky na výrobek a 2 roky na akumulátor (spotřební / soukromé použití) od data zakoupení. Tato záruka se vztahuje na výrobní závady. Vadný výrobek v záruce může být buď opraven nebo vyměněn. Přístroj, který byl zneužitý nebo použitý jinými způsoby, než popsanými v uživatelské příručce, může být odmítnut pro uplatnění záruky. Na normální opotřebení a opotřebované součásti se záruka nevztahuje. Původní záruka výrobce není ovlivněna žádnou dodatečnou zárukou, kterou nabízí prodejce nebo obchodník.

Vadný výrobek spolu s dokladem o koupi (pokladniční stvrženka) musí být vrácen na místo zakoupení pro uplatnění záručního nároku.

## 10 ES PROHLÁŠENÍ O SHODĚ

Název a adresa výrobce:

Název: GLOBGRO AB

Globe Group Europe

Adresa: Riggaregatan 53, 211 13 Malmö, Švédsko

Název a adresa společnosti oprávněně vypracovat soubor technické dokumentace:

Název: Micael Johansson

Adresa: Riggaregatan 53, 211 13 Malmö, Švédsko

Tímto prohlašujeme, že výrobek

Kategorie: Strunová sekačka / křovinořez

Model: 2105707(STF457)

Výrobní číslo: Viz štítek s označením výrobku

Rok výroby: Viz štítek s označením výrobku

- je v souladu s příslušnými ustanoveními směrnice o strojních zařízeních 2006/42/ES.
- je v souladu s následujícími směrnicemi ES:
  - 2014/30/EU
  - 2000/14/ES & 2005/88/ES
  - 2011/65/EU & 2015/863/EU

Kromě toho prohlašujeme, že byly použity následující evropské harmonizované normy (jejich části / doložky):

- EN 60335-1; EN 50636-2-91; EN 62233; EN 55014-1; EN 55014-2 ; EN ISO 3744; EN ISO 3744; ISO 11094; EN ISO 11806-1; IEC 62321-7-2; IEC 62321-4; IEC 62321-5; IEC 62321-6; IEC 62321-7-1; IEC 62321-8; IEC 62321-3-1.

Metoda posouzení shody s přílohou VI / směrnice 2000/14/ES.

Strunová sekačka

Měřená hladina akustického výkonu:  $L_{WA}$  : 93.3 dB(A)

Garantovaná hladina akustického výkonu:  $L_{WA,d}$  : 96 dB(A)

Křovinořez

Měřená hladina akustického výkonu:  $L_{WA}$  : 97.3 dB(A)

Garantovaná hladina akustického výkonu:  $L_{WA,d}$  : 101 dB(A)

Místo, datum: Podpis: Ted Qu, ředitel pro kvalitu

Malmö, 7.28.2021

Ted Qu

<b>1</b>	<b>Popis.....</b>	<b>115</b>	4.7	Zarovnajate rezaciu čepel'.....	117
1.1	Účel.....	115	<b>5</b>	<b>Údržba.....</b>	<b>117</b>
1.2	Prehľad.....	115	5.1	Všeobecné informácie.....	117
<b>2</b>	<b>Bezpečnosť.....</b>	<b>115</b>	5.2	Čistenie stroja.....	117
<b>3</b>	<b>Inštalácia.....</b>	<b>115</b>	5.3	Výmena cievky.....	117
3.1	Rozbalenie stroja.....	115	5.4	Výmena žacej struny.....	118
3.2	Pripojenie chrániča.....	115	5.5	Montáž strunovej hlavy.....	118
3.3	Montáž tyče.....	115	5.6	Odstránenie strunovej hlavy.....	118
3.4	Pripevnite pomocnú rukoväť.....	116	5.7	Výmena tlačidla hlavy.....	118
3.5	Použitie ramenného popruhu.....	116	5.8	Montáž kotúča.....	118
3.6	Inštalácia akumulátora.....	116	5.9	Demontáž kotúča.....	118
3.7	Vybratie akumulátora.....	116	<b>6</b>	<b>Preprava a skladovanie.....</b>	<b>119</b>
<b>4</b>	<b>Obsluha.....</b>	<b>116</b>	6.1	Preprava stroja.....	119
4.1	Spustenie stroja.....	116	6.2	Uskladnenie prístroja.....	119
4.2	Zastavenie stroja.....	116	<b>7</b>	<b>Riešenie problémov.....</b>	<b>119</b>
4.3	Prevádzkové tipy.....	116	<b>8</b>	<b>Technické údaje.....</b>	<b>120</b>
4.4	Tipy na kosenie.....	116	<b>9</b>	<b>Záruka.....</b>	<b>120</b>
4.5	Nastavenie dĺžky žacej struny.....	117	<b>10</b>	<b>Vyhlásenie ES o zhode.....</b>	<b>120</b>
4.6	Nastavenie záberu kosenia.....	117			

## 1 POPIS

### 1.1 ÚČEL

Tento stroj slúži na kosenie trávy, ľahkej buriny a inej podobnej vegetácie na úrovni terénu. Rezacia čepeľ musí byť približne rovnobežne so zemou. Stroj nemôžete používať na rezanie alebo kosenie živých plotov, krovia, kríkov, kvetín a kompostu.

### 1.2 PREHĽAD

Obrázok 1 - 23.

- 1 Spúšťač
- 2 Blokovacie tlačidlo
- 3 Horná tyč
- 4 Pomocná rukoväť
- 5 Spodná tyč
- 6 Ochrana
- 7 Rezacia čepeľ
- 8 Strunová hlava
- 9 Ochranné viečko
- 10 Čepeľ
- 11 Uvoľňovacie tlačidlo
- 12 Polohovací otvor
- 13 Imbusový kľúč
- 14 Centrálny gombík
- 15 Uzáver
- 16 Dolná podpera
- 17 Kryt cievky
- 18 Cievka
- 19 Jazýček
- 20 Výstupný otvor struny
- 21 Kľúč
- 22 Matica
- 23 Vonkajšia manžeta
- 24 Vonkajšia okrúhla matica
- 25 Vnútorňa manžeta
- 26 Otvor pre nastavenie uhla
- 27 Gombík hlavy
- A Smer rotácie
- B Najlepšia oblasť kosenia
- C Nebezpečná oblasť kosenia

## 2 BEZPEČNOSŤ

### ▲ VAROVANIE

Nezabúdajte na dodržiavanie bezpečnostných pokynov.

Pozrite si Bezpečnostnú príručku.

## 3 INŠTALÁCIA

### ▲ VAROVANIE

Pred inštaláciou vyberte akumulátor zo stroja.

### ▲ VAROVANIE

Nepoužívajte príslušenstvo, ktoré sa neodporúča pre tento stroj.

### 3.1 ROZBALENIE STROJA

#### ▲ VAROVANIE

Pred použitím sa uistite, že ste správne zostavili stroj.

#### ▲ VAROVANIE

- Ak sú diely poškodené, stroj nepoužívajte.
- Ak diely chýbajú, stroj nepoužívajte.
- Ak sú súčasti poškodené alebo chýbajú, obráťte sa na servisné stredisko.

1. Otvorte obal.
2. Prečítajte si dokumentáciu priloženú v krabici.
3. Zo škatule vyberte všetky nezmontované diely.
4. Vyberte stroj z obalu.
5. Zlikvidujte škatuľu a obalový materiál v súlade s miestnymi predpismi.

#### ▲ VAROVANIE

V záujme vašej osobnej bezpečnosti akumulátor do nástroja nekladajte skôr, ako je úplne zmontovaný.

### 3.2 PRIPOJENIE CHRÁNIČA

Obrázok 2.

#### ▲ VAROVANIE

Nedotýkajte sa rezacej čepele.

1. Pomocou krížového skrutkovača (nie je súčasťou príslušenstva) vyskrutkujte skrutky zo strunovej hlavy.
2. Chránič založte na strunovú hlavu.
3. Zarovnajte otvory pre skrutky na chrániči s otvormi pre skrutky na strunovej hlave.
4. Dotiahnite skrutky.
5. Nasaďte ochranné viečko na chránič.
6. Zarovnajte otvory pre skrutky na ochrannom viečku s otvormi pre skrutky na chrániči.
7. Dotiahnite skrutky.

### 3.3 MONTÁŽ TYČE

Obrázok 3.

1. Uvoľnite skrutku na spojke.
2. Zatlačte uvoľňovacie tlačidlo na spodnej tyči.
3. Zarovnajete uvoľňovacie tlačidlo s polohovacím otvorom a zasuňte dve tyče.
4. Otočte spodnú tyč, kým gombíkové západky nezapadnú do polohovacieho otvoru.

## i POZNÁMKA

Uvoľňovacie tlačidlo musí byť upevnené v polohovacom otvore. Použitie nesprávneho otvoru môže viesť k zraneniu osôb alebo poškodeniu zariadenia.

5. Dotiahnite skrutku pomocou imbusového kľúča.

## 3.4 PRIPEVNITE POMOCNÚ RUKOVÄŤ

Obrázok 4.

1. Povoľte centrálny gombík.
2. Odstráňte viečko a dolnú podporu.

## i POZNÁMKA

Neprehliadnite pružinu v podpore.

3. Umiestnite pomocnú rukoväť do dolnej podpory.
4. Dajte viečko na dolnú podporu.
5. Celý blok vložte do puzdra na hriadeľ.
6. Nastavte pomocnú rukoväť do pohodlnej polohy.
7. Zaisťujte pomocnú rukoväť pomocou centrálného gombíka.

## 3.5 POUŽITIE RAMENNÉHO POPRUHU

Obrázok 5.

1. Pripojte karabínu na nosný krúžok na tyči.
2. Nasadte si ramenný popruh.
3. Nastavte dĺžku popruhu tak, aby karabína bola pozdĺž ruky pod pravým bokom.

## 3.6 INŠTALÁCIA AKUMULÁTORA

Obrázok 6.

## ▲ VAROVANIE

- Ak je akumulátor alebo nabíjačka poškodená, vymeňte akumulátor alebo nabíjačku.
- Pred inštaláciou alebo vybratím akumulátora zastavte stroj a počkajte, kým sa motor zastaví.
- Prečítajte si, oboznámte sa a dodržujte pokyny uvedené v príručke pre akumulátor a nabíjačku.

1. Zarovnajete rebrá na akumulátore s drážkami v priestore na akumulátor.

2. Zatlačte akumulátor do priestoru na akumulátor, kým nezapadne na miesto.
3. Keď budete počuť kliknutie, akumulátor je nainštalovaný.

## 3.7 VYBRATIE AKUMULÁTORA

Obrázok 6.

1. Stlačte a podržte tlačidlo pre uvoľnenie akumulátora.
2. Vyberte akumulátor zo stroja.

## 4 OBSLUHA

### i DÔLEŽITÉ

Skôr ako začnete stroj používať, prečítajte si bezpečnostné predpisy a pokyny na obsluhu a pochopte ich.

### ▲ VAROVANIE

Pri obsluhu stroja buďte opatrní.

## 4.1 SPUSTENIE STROJA

Obrázok 7.

1. Stlačte blokovacie tlačidlo a stlačte spínač.

## 4.2 ZASTAVENIE STROJA

Obrázok 7.

1. Pre zastavenie stroja uvoľnite spínač.

## 4.3 PREVÁDZKOVÉ TIPY

Obrázok 8.

### ▲ VAROVANIE

Udržujte medzeru medzi telom a strojom.

### ▲ VAROVANIE

Stroj nepoužívajte bez namontovaného chrániča.

Tipy pre používanie stroja

- Stroj pripájajte na správne nasadený postroj.
- Pri práci držte stroj pevne obomi rukami.
- Vysokú trávu koste zhora nadol.

**Ak sa tráva namotá na strunovú hlavu:**

- Vyberte akumulátor.
- Odstráňte trávu.

## 4.4 TIPY NA KOSENIE

Obrázok 9.

- Nakloňte stroj smerom k oblasti, ktorá má byť kosená. Používajte špičku žacej struny na kosenie trávy.
- Kosačkou pohybujte zľava doprava, aby ste predišli vyhadzovaniu koseného materiálu smerom k obsluhu.
- Nekoste v nebezpečnej oblasti.
- Netlačte strunovú hlavu do nepokosenej trávy.
- Drôt a koly plotov spôsobujú opotrebovanie a roztrhnutie žacej struny. Kamenné a tehlové steny, obrubníky a drevo môžu rýchlo opotrebovať žaciu strunu.

## 4.5 NASTAVENIE DĹŽKY ŽACEJ STRUNY

Obrázok 10.

Počas používania stroja sa žacia struna opotrebováva a skracuje. Môžete nastaviť dĺžku žacej struny.

1. Pri práci so strojom udríte strunovú hlavu proti zemi.
2. Struna sa automaticky uvoľní a rezacia čepeľ odreže nadmernú dĺžku.

## 4.6 NASTAVENIE ZÁBERU KOSENIA.

Obrázok 11.

### i POZNÁMKA

Stroj má nastavený záber kosenia na 356 mm, môžete ho prenastaviť aj na 406 mm.

Nastavte záber kosenia na 356 mm pre dlhšiu prevádzku a 406 mm pre väčšiu plochu.

1. Vyberte akumulátor.
2. Demontujte skrutky z rezacej čepele.
3. Otočte rezaciu čepeľ o 180 °.
4. Dotiahnite skrutky čepele.

## 4.7 ZAROVNAJTE REZACIU ČEPEĽ

Obrázok 11.

Tento kosačka je vybavená rezacou čepeľou na chrániči. Rezacia čepeľ priebežne orezáva strunu pre zabezpečenie stáleho a efektívneho rezného priemeru. Strunu predĺžte vždy, keď počujete, že motor beží rýchlejšie ako zvyčajne, alebo keď sa efektívnosť kosenia znižuje. Tým sa zachová najlepší výkon a žacie lanko (struna) zostane dostatočne dlhé na to, aby sa správne pohybovalo.

## 5 ÚDRŽBA

### i DÔLEŽITÉ

Pred čistením, opravou alebo údržbou stroja si prečítajte bezpečnostné predpisy a pokyny pre údržbu a pochopte ich.

### i DÔLEŽITÉ

Uistite sa, že všetky matice a skrutky sú dotiahnuté. Pravidelne kontrolujte, či sú rukoväte dobre nasadené.

### i DÔLEŽITÉ

Používajte iba náhradné diely a príslušenstvo od pôvodného výrobcu.

## 5.1 VŠEOBECNÉ INFORMÁCIE

### i DÔLEŽITÉ

Iba váš predajca alebo autorizované servisné stredisko môžu vykonávať údržbu, ktorá nie je uvedená v tejto príručke.

Pred údržbárskymi prácami:

- Stroj zastavte.
- Vyberte akumulátor.
- Nechajte motor vychladnúť.
- Skladujte stroj na chladnom a suchom mieste.
- Používajte správne oblečenie, ochranné rukavice a ochranné okuliare.

## 5.2 ČISTENIE STROJA

- Po použití zariadenie vyčistíte vlhkou handričkou namočenou v neutrálnom čistiacom prostriedku.
- Na čistenie umelohmotných súčastí a rukovätí nepoužívajte agresívne čistiace prostriedky a rozpúšťadlá akými sú napr. prípravky na čistenie skla.
- Hlavu kosačky držte čistú od trávy, listov a nadmerného maziva.
- Vetracie otvory udrzte čisté a bez odrezkov, aby nedošlo k prehriatiu a poškodeniu motora.
- Na motor a elektrické súčasti nestríekajte vodu.

## 5.3 VÝMENA CIEVKY

Obrázok 12 - 20.

1. Súčasne zatlačte jazýčky na bočnej strane strunovej hlavy.
2. Potiahnite a vyberte kryt cievky.
3. Odstráňte zvyšnú cievku.
4. Vložte cievku do krytu cievky.

## i POZNÁMKA

Uistite sa, že žacia struna je v drážke na novej cievkke a pred inštaláciou novej cievkky je predĺžená približne o 15 cm.

5. Presuňte konce žacej struny cez otvory.
6. Vytiahnite žaciu strunu a uvoľnite ju z vodiacej drážky v cievkke.
7. Namontujte cievkku a kryt cievkky na strunovú hlavu.
8. Zatlacíte kryt cievkky na miesto, kým nezacvakne.

## 5.4 VÝMENA ŽACEJ STRUNY

Obrázok 14 - 16.

## i POZNÁMKA

Odstráňte zvyšnú žaciu strunu z cievkky.

## i POZNÁMKA

Používajte iba nylonovú žaciu strunu s 2 mm priemerom.

1. Odrežte približne 3 m žacej struny.
2. Ohnite strunu v strede a zaháknite slučku do štrbiny v stredovom okraji cievkky. Uistite sa, že struna zaskočí na miesto v štrbine.
3. Pomocou prsta natočíte strunu rovnomerne a pevne okolo cievkky v uvedenom smere.
4. Vložte struny do vodiacich drážok.
5. Nenavíjajte struny za okraj cievkky.

## 5.5 MONTÁŽ STRUNOVEJ HLAVY

Obrázok 21.

1. Vložte správne rozperu na hriadeľ.
2. Pripojte vnútornú okrúhlu maticu na vnútornú manžetu vo vyznačenom smere.
3. Uistite sa, že drážky vnútornej okrúhlej matice sú dokonale zarovnané s drážkami pre nastavenie uhla.
4. Vložte kľúč do určeného otvoru pre nastavenie uhla.
5. Otočíte strunovú hlavu a zatlačíte kľúč, kým kľúč nezachytí vnútornú okrúhlu maticu a zablokuje otáčanie.
6. Namontujte strunovú hlavu.
7. Otočíte strunovú hlavu proti smeru hodinových ručičiek a dotiahnite ju.
8. Vyberte kľúč.

## i DÔLEŽITÉ

Pri použití strunovej hlavy musíte nainštalovať rezaciu čepeľ.

## 5.6 ODSTRÁNENIE STRUNOVEJ HLAVY

Obrázok 21.

1. Vložte kľúč do určeného otvoru pre nastavenie uhla.
2. Otočíte strunovú hlavu a zatlačíte kľúč, kým kľúč nezachytí vnútornú okrúhlu maticu a zablokuje otáčanie.
3. Otočíte strunovú hlavu v smere hodinových ručičiek a uvoľnite ju. Neodstraňujte rozperu z hriadeľa.

## 5.7 VÝMENA TLAČIDLA HLAVY

Obrázok 13.

1. Súčasne zatlačíte jazýčky na bočnej strane strunovej hlavy.
2. Potiahnite a vyberte kryt cievkky.
3. Odstráňte cievkku.
4. Podržte gombík hlavy a vytiahnite ho kovovou tyčkou (nie je súčasťou dodávky).
5. Dajte nový gombík hlavy do puzdra cievkky.

## 5.8 MONTÁŽ KOTÚČA

Obrázok 22 - 23.

### ▲ VAROVANIE

Používajte rukavice a dávajte pozor na ostré hrany.

### ▲ VAROVANIE

Nasadte chránič na čepeľ.

1. Vložte správne rozperu na hriadeľ.
2. Pripojte vnútornú okrúhlu maticu na vnútornú manžetu vo vyznačenom smere.
3. Uistite sa, že drážky vnútornej okrúhlej matice sú dokonale zarovnané s drážkami pre nastavenie uhla.
4. Pripojte čepeľ a vonkajšiu okrúhlu maticu s plochou časťou obrátenou k čepeľi.
5. Pripojte vonkajšiu manžetu bez dotiahnutia matice.
6. Vložte kľúč do určeného otvoru pre nastavenie uhla.
7. Otočíte čepeľ a zatlačíte kľúč, kým čepeľ nezapadne do otvoru vnútornej okrúhlej matice a zablokuje otáčanie.
8. Dotiahnite maticu proti smeru hodinových ručičiek pomocou kľúča 19 mm alebo 3/4" (44/58 Nm).

## 5.9 DEMONTÁŽ KOTÚČA

Obrázok 22 - 23.



## ▲ VAROVANIE

Nasadíte chránič na čepeľ.

1. Vložte kľúč do určeného otvoru pre nastavenie uhla.
2. Otočte čepeľ a zatlačte kľúč, kým kľúč nezachytí vnútorný otvor okrúhlejšie matice a zablokuje otáčanie.
3. Povoľte maticu v smere hodinových ručičiek a vyberte vonkajšiu manžetu.
4. Demontujte vonkajšiu okrúhlu maticu, čepeľ, vnútornú manžetu a vnútornú okrúhlu maticu. Neodstraňujte rozperu z hriadeľa.

## 6 PREPRAVA A SKLADOVANIE

### 6.1 PREPRAVA STROJA

Pri premiestňovaní stroja sa musíte uistiť, že:

- Používajte rukavice.
- Stroj zastavte.
- Vybratie akumulátora.
- Namontujte chránič čepele.

### 6.2 USKLADNENIE PRÍSTROJA

- Vyberte akumulátor zo stroja a nabite ho.
- Uistite sa, že sa deti nemôžu priblížiť k stroju.
- Chránite stroj pred agresívnymi látkami, ako sú záhradné chemikálie a rozmrazovacie soli.
- Počas prepravy zaistite stroj, aby nedošlo k jeho poškodeniu alebo zraneniu. Vyčistite a skontrolujte stroj, či nedošlo k jeho poškodeniu.

## 7 RIEŠENIE PROBLÉMOV

Problém	Možná príčina	Riešenie
Pri stlačení spúšte sa stroj nespustí.	Medzi strojom a batériou nie je elektrický kontakt.	1. Vyberte akumulátor. 2. Skontrolujte kontakt a znovu nainštalujte batériu.
	Akumulátor je vybitý.	Nabite akumulátor.
	Blokovacie tlačidlo a spúšťač nie sú súčasne stlačené.	1. Stlačte blokovacie tlačidlo a podržte ho. 2. Pre naštartovanie stroja stlačte spínač.

Problém	Možná príčina	Riešenie
Stroj sa pri kosení zastaví.	Chránič nie je pripojený na stroj.	Vyberte akumulátor a pripojte chránič na stroj.
	Je použitá príliš ťažká struna.	Používajte len s nylonovou reznou šnúrou s priemerom 2 mm .
	Okolo hriadele motora alebo hlavy sa namotala tráva.	1. Stroj zastavte. 2. Vyberte akumulátor. 3. Odstráňte trávu z hriadele motora alebo hlavy kosačky.
	Motor je preťažený.	1. Vytiahnite hlavu kosačky z trávy. 2. Motor sa rozbehne, keď sa preťaženie odstráni. 3. Pri kosení premiestňujte strunovú hlavu dovnútra a von z kosenej trávy a odstraňujte nie viac než 20 cm pás.
Struna sa nepredlžuje.	Akumulátor alebo zariadenie je príliš horúce.	1. Akumulátor ochladzujte, kým sa jeho výkon nevráti do bežného stavu. 2. Stroj nechajte ochladzovať približne 10 minút.
	Akumulátor je odpojený od stroja.	Znovu zapojte akumulátor.
	Akumulátor je vybitý.	Nabite akumulátor.
Struna sa nepredlžuje.	Struny sú k sebe navzájom privarené.	Premažte silikónovým sprejom.
	Na cievke nie je dostatok struny.	Nainštalujte viac struny.
	Struny sú opotrebované a príliš krátke.	Predĺžte strunu.
	Struny na cievke sú zamotané.	1. Vyberte struny z cievky. 2. Namotajte struny.

Problém	Možná příčina	Riešenie
Struny sa trhajú.	Stroj je nesprávne používaný.	1. Koste koncom lanka, vyhýbajte sa kameňom, stenám a iným pevným objektom. 2. Lanko pravidelne vyťahujte, aby ste mohli kosiť celou dostupnou šírkou.
Tráva sa namotala okolo strunovej hlavy a skrine motora.	Vysokú trávu koste na úrovni zeme.	1. Vysokú trávu koste zhora nadol. 2. Neodstraňujte viac ako 20 cm trávy, aby ste zabránili obtáčaniu stebiel okolo stroja.
Struna nereže správne.	Rezacia čepeľ je tupá.	Rezaciú čepeľ nabrušte pilníkom alebo ju vymeňte.
Vibrácie sa zreteľne zvyšujú.	Struna je na jednej strane opotrebovaná a včas sa nepredžila.	Uistite sa, že struna je na oboch koncoch stejná. Predĺžte strunu.

## 8 TECHNICKÉ ÚDAJE

Napätie	40 V	
Rýchlosť bez zaťaženia	6300 ±10%/min (Strunová kosačka), 6800±10%/min (Krovinorez)	
Typ podávania struny	Čepeľ krovinorezu / posuv struny	
Priemer záberu kosenia	2 mm	
Priemer dráhy rezu	356/406mm (strunová kosačka na trávu), 254mm (krovinorez)	
Hmotnosť (bez akumulátora)	4.5 kg	
Model akumulátora	G40B2/G40B25/G40B4 a ďalšie série BAF	
Model nabíjačky	G40C a ďalšie série CAF	
Strunová kosačka	Meraná hladina akustického tlaku	$L_{PA}=78.4 \text{ dB(A)}$ , $K_{PA}= 3 \text{ dB(A)}$
	Garantovaná hladina akustického výkonu	$L_{WA,d}=96 \text{ dB(A)}$
	Vibrácie	$<2.5 \text{ m/s}^2$ , $k=1.5 \text{ m/s}^2$

Krovinorez	Meraná hladina akustického tlaku	$L_{PA}=82.8 \text{ dB(A)}$ , $K=3 \text{ dB(A)}$
	Garantovaná hladina akustického výkonu	$L_{WA,d}=101 \text{ dB(A)}$
	Vibrácie	$<2.5 \text{ m/s}^2$ , $k=1.5 \text{ m/s}^2$



96 dB. Hodnota hluku. (Vyžinač)

101 dB. Hodnota hluku. (Krovinorez)

## 9 ZÁRUKA

(Úplné záručné podmienky nájdete na webovej stránke spoločnosti Greenworks [www.greenworkstools.eu](http://www.greenworkstools.eu))

Záruka Greenworks 3 roky na výrobok a 2 roky na akumulátor (spotrebné / súkromné používanie) od dátumu zakúpenia. Táto záruka sa vzťahuje na výrobné chyby. Chybný výrobok v záruke môže byť buď opravený alebo vymenený. Prístroj, ktorý bol zneužitý alebo použitý inými spôsobmi, než popísanými v používateľskej príručke, môže byť odmietnutý na uplatnenie záruky. Na normálne opotrebovanie a opotrebované súčasti sa záruka nevzťahuje. Pôvodná záruka výrobcu nie je ovplyvnená žiadosťou dodatočnou zárukou, ktorú ponúka predajca alebo obchodník.

Chybný výrobok spolu s dokladom o zakúpení (pokladničný blok) musí byť vrátený na miesto zakúpenia pre uplatnenie záručného nároku.

## 10 VYHLÁSENIE ES O ZHODE

Názov a adresa výrobcu:

Názov: GLOBGRO AB

Globe Group Europe

Adresa: Riggaregatan 53, 211 13 Malmö, Švédsko

Názov a adresa spoločnosti oprávnenej vypracovať súbor technickej dokumentácie:

Názov: Micael Johansson

Adresa: Riggaregatan 53, 211 13 Malmö, Švédsko

Týmto prehlasujeme, že výrobok

Skupina: Strunová kosačka/krovinorez

Model: 2105707(STF457)

Výrobné číslo: Pozrite si štítok s označením výrobku

Rok výroby: Pozrite si štítok s označením výrobku

- je v súlade s príslušnými ustanoveniami smernice o strojných zariadeniach 2006/42/ES.
- je v súlade s nasledujúcimi smernicami ES:
  - 2014/30/EÚ
  - 2000/14/ES & 2005/88/ES
  - 2011/65/EÚ & 2015/863/EÚ

Ďalej vyhlasujeme, že sa použili nasledujúce (časti/ doložky) Európskych harmonizovaných štandardov:

- EN 60335-1; EN 50636-2-91; EN 62233; EN 55014-1; EN 55014-2 ; EN ISO 3744; EN ISO 3744; ISO 11094; EN ISO 11806-1; IEC 62321-7-2; IEC 62321-4; IEC 62321-5; IEC 62321-6; IEC 62321-7-1; IEC 62321-8; IEC 62321-3-1.

Metóda posudzovania zhody s prílohou VI / smernica 2000/14/ES.

Strunová kosačka

Meraná hladina akustického  $L_{WA}$ : 93.3 dB(A)  
výkonu:

Garantovaná hladina akus-  $L_{WA,d}$ : 96 dB(A)  
tického výkonu:

Krovinorez

Meraná hladina akustické-  $L_{WA}$ : 97.3 dB(A)  
ho výkonu:

Garantovaná hladina akus-  $L_{WA,d}$ : 101 dB(A)  
tického výkonu:

Miesto, dátum: Podpis: Ted Qu, riaditeľ kvality

Malmö, 7.28.2021

Ted Qu

<b>1</b>	<b>Opis.....</b>	<b>123</b>	4.7	Rezilo za rezanje nitke.....	125
1.1	Namen.....	123	<b>5</b>	<b>Vzdrževanje.....</b>	<b>125</b>
1.2	Pregled.....	123	5.1	Splošne informacije.....	125
<b>2</b>	<b>Varnost.....</b>	<b>123</b>	5.2	Očistite napravo.....	125
<b>3</b>	<b>Namestitev.....</b>	<b>123</b>	5.3	Menjava navitka.....	125
3.1	Razpakiranje naprave.....	123	5.4	Zamenjava nitke za košnjo.....	126
3.2	Namestite ščit.....	123	5.5	Sestavljanje glave kosilnice.....	126
3.3	Sestavljanje gredi.....	124	5.6	Odstranjevanje glave kosilnice.....	126
3.4	Pritrdite pomožni ročaj.....	124	5.7	Zamenjajte gumb za udarce.....	126
3.5	Uporabite naramni pas.....	124	5.8	Sestavljanje motorne kose.....	126
3.6	Namestitev akumulatorja.....	124	5.9	Odstranjevanje motorne kose.....	126
3.7	Odstranite akumulator.....	124	<b>6</b>	<b>Premikanje in shranjevanje....</b>	<b>127</b>
<b>4</b>	<b>Upravljanje.....</b>	<b>124</b>	6.1	Premikanje naprave.....	127
4.1	Zagon naprave.....	124	6.2	Skladiščenje naprave.....	127
4.2	Zaustavitev naprave.....	124	<b>7</b>	<b>Odpravljanje napak.....</b>	<b>127</b>
4.3	Nasveti za upravljanje.....	124	<b>8</b>	<b>Tehnični podatki.....</b>	<b>128</b>
4.4	Nasveti za košnjo.....	124	<b>9</b>	<b>Garancija.....</b>	<b>128</b>
4.5	Nastavitev dolžine nitke za košnjo.....	125	<b>10</b>	<b>Izjava ES o skladnosti.....</b>	<b>128</b>
4.6	Prilagoditev premera košnje.....	125			

## 1 OPIS

### 1.1 NAMEN

Ta naprava se uporablja za košnjo trave, manjšega plevela in druge podobne vegetacije na ali okoli tal. Površina za rezanje mora biti približno vzporedna s tlemi. Naprave ne morete uporabljati za obrezovanje žive meje, grmov, rož in komposta.

### 1.2 PREGLED

Slika 1 - 23.

- 1 Sprožilec
- 2 Gumb za zaklepanje
- 3 Zgornja gred
- 4 Pomožni ročaj
- 5 Spodnja gred
- 6 Ščit
- 7 Rezilo za rezanje nitke
- 8 Glava kosilnice
- 9 Pokrov ščita
- 10 Rezilo
- 11 Sprostivni gumb
- 12 Luknja za pozicioniranje
- 13 Imbus ključ
- 14 Središčni gumb
- 15 Pokrov
- 16 Spodnja podpora
- 17 Pokrov navitka
- 18 Vreteno
- 19 Zavihek
- 20 Odprtina za izhod nitke
- 21 Ključ
- 22 Matica
- 23 Zunanja skodelica
- 24 Zunanja krožna matica
- 25 Notranja skodelica
- 26 Odprtina za prenos kota
- 27 Gumb za udarce
- A Smer vrtenja
- B Območje najboljše košnje
- C Nevarno območje košnje

## 2 VARNOST

### ▲ OPOZORILO

V celoti upoštevajte varnostna navodila.

Oglejte si varnostni priročnik.

## 3 NAMESTITEV

### ▲ OPOZORILO

Pred namestitvijo iz naprave odstranite baterijski sklop.

### ▲ OPOZORILO

Ne uporabljajte dodatne opreme, ki ni priporočena za to napravo.

### 3.1 RAZPAKIRANJE NAPRAVE

### ▲ OPOZORILO

Pred uporabo se prepričajte, da je naprava pravilno sestavljena.

### ▲ OPOZORILO

- Če so deli naprave poškodovani, je ne uporabljajte.
- Če deli manjkajo, naprave ne uporabljajte.
- Če so deli poškodovani ali manjkajo, se obrnite na servisni center.

1. Odprite embalažo.
2. Preberite dokumente, ki so priloženi v škatli.
3. Iz škatle odstranite vse nesestavljene dele.
4. Napravo odstranite iz škatle.
5. Škatlo in embalažo zavrzite v skladu z lokalnimi predpisi.

### ▲ OPOZORILO

Zaradi lastne varnosti baterije ne vstavljajte, dokler naprava ni popolnoma sestavljena.

### 3.2 NAMESTITE ŠČIT.

Slika 2.

### ▲ OPOZORILO

Ne dotikajte se rezila za rezanje nitke.

1. Vijake iz glave kosilnice odstranite s pomočjo izvijača Phillips (ni priložen).
2. Ščit namestite na glavo kosilnice.
3. Odprtine za vijake na ščitu poravnajte z odprtinami za vijake na glavi kosilnice.
4. Privijte vijake.
5. Na ščit namestite pokrov ščita
6. Odprtine za vijake na pokrovu ščita poravnajte z odprtinami za vijake na ščitu.
7. Privijte vijake.

## 3.3 SESTAVLJANJE GREDI

Slika 3.

1. Odvijte vijak na spojki.
2. Pritisnite sprostitveni gumb na spodnji gredi.
3. Poravnajte sprostitveni gumb z luknjo za pozicioniranje in potisnite obe gredi.
4. Obračajte spodnjo gred, dokler se gumb ne zaskoči v luknji za pozicioniranje.

### i OPOMBA

Sprostitveni gumb mora biti fiksiran v luknji za pozicioniranje. Če uporabite napačno luknjo, lahko pride do telesnih poškodb ali poškodb enote.

5. Vijak privijte z imbus ključem.

## 3.4 PRITRDITE POMOŽNI ROČAJ.

Slika 4.

1. Odvijte središnji gumb.
2. Odstranite pokrov in spodnjo podporo.

### i OPOMBA

V podpori ne pozabite na vzmet.

3. Pomožni ročaj vstavite v spodnjo podporo.
4. Pokrov namestite v spodnjo podporo.
5. Celoten sklop namestite v ohišje na gredi.
6. Pomožni ročaj nastavite v udoben položaj.
7. S pomočjo središčnega gumba zaklenite pomožni ročaj.

## 3.5 UPORABITE NARAMNI PAS

Slika 5.

1. Karabin namestite na nosilni obroč na drogu.
2. Nataknite si naramni pas.
3. Dolžino pasu nastavite tako, da je karabin za približno širino dlani pod vašim desnim bokom.

## 3.6 NAMESTITEV AKUMULATORJA

Slika 6.

### ▲ OPOZORILO

- Če je akumulator ali polnilec poškodovan, ga zamenjajte.
- Zaustavite napravo in počakajte, da se motor povsem ustavi, preden namestite ali odstranite akumulator.
- Temeljito preberite in upoštevajte navodila glede akumulatorja in polnilnika.

1. Dvižne zavihke na akumulatorju poravnajte z utori na akumulatorju.

2. Akumulator potisnite v prostor za akumulator, dokler se ne usede na svoje mesto.
3. Ko slišite klik, je akumulator nameščen.

## 3.7 ODSTRANITE AKUMULATOR

Slika 6.

1. Potisnite in držite gumb za sprostitvev akumulatorja.
2. Odstranite akumulator iz naprave.

## 4 UPRAVLJANJE

### i POMEMBNO

Pred upravljanjem naprave poskrbite, da boste prebrali in razumeli varnostne predpise in navodila za upravljanje.

### ▲ OPOZORILO

Pri upravljanju naprave bodite previdni.

### 4.1 ZAGON NAPRAVE

Slika 7.

1. Pritisnite gumb za odklepanje in povlecite sprožilec.

### 4.2 ZAUSTAVITEV NAPRAVE

Slika 7.

1. Sprostite sprožilec, da zaustavite napravo.

### 4.3 NASVETI ZA UPRAVLJANJE

Slika 8.

### ▲ OPOZORILO

Med telesom in napravo ohranajte razdaljo.

### ▲ OPOZORILO

Naprave ne upravljajte brez nameščenega ščita.

Pri uporabi naprave upoštevajte te nasvete.

- Naprava naj bo pritrjena na pas, ki je pravilno nameščen.
- Kadar upravljate napravo, jo čvrsto držite z obema rokama.
- Visoko travo kosite z vrha navzdol.

Če se trava navije okoli glave kosilnice:

- Odstranite baterijski sklop.
- Odstranite travo.

### 4.4 NASVETI ZA KOŠNJO

Slika 9.

- Napravo nagnite proti območju košnje. Travo kosite s konico nitke za košnjo.
- Napravo premikajte od desne proti levi, da preprečite metanje delcev proti upravljavcu.
- Ne kosite na nevarnih območjih.
- Glave kosilnice ne potiskajte na silo v nepokošeno travo.
- Žičnate in lesene ograje povzročijo obrabo in trganje nitke za košnjo. Ob kamnitih opečnatih zidovih, pločnikih in lesu se nitka za košnjo hitro obrabi.

## 4.5 NASTAVITEV DOLŽINE NITKE ZA KOŠNJO

Slika 10.

Med upravljanjem naprave se nitka za košnjo obrabi in skrajša. Dolžino nitke za košnjo lahko prilagodite.

1. Med upravljanjem naprave z glavo kosilnice udarite ob tla.
2. Nitka se samodejno sprosti in rezilo za rezanje nitke odreže predolgo nitko.

## 4.6 PRILAGODITEV PREMERA KOŠNJE

Slika 11.

### i OPOMBA

Naprava je nastavljena na 356 mm premer košnje. Nastavite ga lahko na 406 mm premer košnje.

Premer košnje nastavite na 356 mm za daljši čas delovanja in 406 mm za večje območje košnje.

1. Odstranite baterijski sklop.
2. Z rezila za rezanje nitke odstranite vijake rezila.
3. Rezilo za rezanje nitke obrnite za 180°.
4. Privijte vijake rezila.

## 4.7 REZILO ZA REZANJE NITKE

Slika 11.

Ta kosilnica ima na zaščiti vgrajeno rezilo za rezanje nitke. Rezilo za rezanje nitke neprekinjeno prirezuje nitko in tako zagotovi stalen in učinkovit premer za rezanje. Izvlecite nitko, ko zaslišite, da se motor vrti z višjimi obrati kot običajno, ali ko se zmanjša učinkovitost obrezovanja. Na ta način boste zagotovili najboljšo učinkovitost delovanja, nitka za košnjo pa bo vedno dovolj dolga za primerno podaljšanje.

## 5 VZDRŽEVANJE

### i POMEMBNO

Pred čiščenjem, popravilom in vzdrževalnimi deli na napravi preberite in poskrbite, da boste razumeli varnostne predpise in navodila za vzdrževanje.

### i POMEMBNO

Prepričajte se, da so vse matice in vijaki čvrsto priviti. Redno preverjajte, ali sta ročaja pravilno nameščena.

### i POMEMBNO

Uporabljajte le nadomestne dele in dodatno opremo originalnega proizvajalca.

## 5.1 SPLOŠNE INFORMACIJE

### i POMEMBNO

Vzdrževanje, ki ni omenjeno v tem priročniku, lahko opravi le vaš trgovec ali odobreni servisni center.

Pred vzdrževanjem:

- Zaustavite napravo.
- Odstranite baterijski sklop.
- Ohladite motor.
- Napravo hranite na hladnem in suhem mestu.
- Uporabljajte ustrezna oblačila, zaščitne rokavice in zaščitna očala.

## 5.2 OČISTITE NAPRAVO

- Po vsaki uporabi očistite napravo z vlažno krpo, ki ste jo namočili v nevtralen detergent.
- Plastičnih delov ali ročajev ne čistite z agresivnimi detergenti ali topili, kot je „čistilo za steklo“.
- Z glave kosilnice čistite travo, listje ali odvečno maščobo.
- Da bi preprečili pregrevanje in poškodbe motorja, vzdržujte zračne odprtine čiste in brez nečistoč.
- Po motorju in električnih komponentah ne pršite vode.

## 5.3 MENJAVA NAVITKA

Slika 12 - 20.

1. Istočasno pritisnite na zavihke glave kosilnice.
2. Pokrov navitka povlecite in odstranite.
3. Odstranite preostali navitek.
4. Navitek dajte v pokrov navitka.

## i OPOMBA

Poskrbite, da je pred namestitvijo novega navitka nitka za košnjo v reži in novem vretenu in da je iztegnjena približno 15 cm.

5. Konca nitke za košnjo napeljite skozi odprtine.
6. Razširite nitko za košnjo, da jo sprostite iz vodilne reže v navitku.
7. Na glavo kosilnice namestite navitek in pokrov navitka.
8. Pokrov navitka potisnite, da se zaskoči na mesto.

## 5.4 ZAMENJAVA NITKE ZA KOŠNJO

Slika 14 - 16.

## i OPOMBA

Odstranite preostalo nitko za košnjo na navitku.

## i OPOMBA

Uporabite le z najlonsko nitko za košnjo s 2 mm premerom.

1. Odrežite približno 3 m dolg kos nitke za košnjo.
2. Nitko na sredini prepognite in jo pritrdite v režo v središču roba navitka. Poskrbite, da se nitka zaskoči na mesto v reži.
3. S prstom med nitkama slednji enakomerno in čvrsto ovijte okoli navitka v označeni smeri.
4. Nitke potisnite v vodilni reži.
5. Nitk ne navijajte prek roba navitka.

## 5.5 SESTAVLJANJE GLAVE KOSILNICE

Slika 21.

1. Distančnik pravilno namestite na gred.
2. Notranjo krožno matico pritrdite na notranjo skodelico v prikazani smeri.
3. Poskrbite, da se utori notranje krožne matice popolnoma prilegajo utorom prenosa kota.
4. Ključ vstavite v določeno odprtina za prenos kota.
5. Glavo kosilnice obrnite in ključ potisnite, dokler se ne zaskoči v odprtino notranje krožne matice in tako blokira vrtenje.
6. Sestavite glavo kosilnice.
7. Glavo kosilnice obrnite v nasprotni smeri urinega kazalca in jo privijte.
8. Odstranite ključ.

## i POMEMBNO

Kadar uporabljate glavo kosilnice morate namestiti rezilo za rezanje nitke.

## 5.6 ODSTRANJEVANJE GLAVE KOSILNICE

Slika 21.

1. Ključ vstavite v določeno odprtina za prenos kota.
2. Glavo kosilnice obrnite in ključ potisnite, dokler se ne zaskoči v odprtino notranje krožne matice in tako blokira vrtenje.
3. Glavo kosilnice obrnite v smeri urinega kazalca in jo odvijte. Distančnika ne odstranite z gredi.

## 5.7 ZAMENJAJTE GUMB ZA UDARCE

Slika 13.

1. Istočasno pritisnite na zavihke glave kosilnice.
2. Pokrov navitka povlecite in odstranite.
3. Odstranite navitek.
4. Pridržite gumb za udarce in ga izvlcite iz kovinske palice (ni priložena).
5. Novi gumb za udarce postavite v ohišje navitka.

## 5.8 SESTAVLJANJE MOTORNE KOSE

Slika 22 - 23.

### ▲ OPOZORILO

Nosite rokavice in bodite previdni z ostrimi robovi.

### ▲ OPOZORILO

Ščit namestite na rezilo.

1. Distančnik pravilno namestite na gred.
2. Notranjo krožno matico pritrdite na notranjo skodelico v prikazani smeri.
3. Poskrbite, da se utori notranje krožne matice popolnoma prilegajo utorom prenosa kota.
4. Pritrdite rezilo in zunanjo krožno matico, pri kateri naj bo raven del usmerjen proti rezilu.
5. Pritrdite zunanjo skodelico, ne da bi privili matico.
6. Ključ vstavite v določeno odprtina za prenos kota.
7. Rezilo obrnite in ključ potisnite, dokler se ne prilega odprtini notranje krožne matice in tako blokira vrtenje.
8. Matico privijte v nasprotni smeri urinega kazalca s pomočjo 19-mm ali 3/4-palčnega ključa (44/58 Nm).

## 5.9 ODSTRANJEVANJE MOTORNE KOSE

Slika 22 - 23.

### ▲ OPOZORILO

Ščit namestite na rezilo.



1. Ključ vstavite v določeno odprtina za prenos kota.
2. Rezilo obrnite in ključ potisnite, dokler se ne zaskoči v odprtino notranje krožne matice in tako blokira vrtenje.
3. Matico odvijte v smeri urinega kazalca in odstranite zunanjo skodelico.
4. Odstranite zunanjo krožno matico, rezilo, notranjo skodelico in notranjo krožno matico. Distančnika ne odstranite z gredi.

## 6 PREMIKANJE IN SHRANJEVANJE

### 6.1 PREMIKANJE NAPRAVE

Pri premikanju naprave morate:

- nositi rokavice;
- zaustaviti napravo;
- odstranite akumulator;
- sestaviti ščit rezila.

### 6.2 SKLADIŠČENJE NAPRAVE

- Akumulatorski sklop odstranite iz naprave in ga napolnite.
- Prepričajte se, da otroci ne morejo dostopati do naprave.
- Naprave ne shranjujte v bližini korozivnih sredstev, kot so vrtno kemikalije in soli za topljenje ledu.
- Med transportom napravo zavarujte, da preprečite poškodbe ali telesne poškodbe. Napravo očistite in pregledajte za morebitne poškodbe.

## 7 ODPRAVLJANJE NAPAK

Težava	Možen vzrok	Rešitev
Naprava se ne zažene, ko pritisnete sprožilec.	Med napravo in baterijskim sklopom ni električnega stika.	1. Odstranite baterijski sklop. 2. Preverite stik in ponovno namestite baterijski sklop.
	Baterijski sklop je izprazen.	Baterijski sklop napolnite.
	Gumba za odklepanje in sprožilec niste pritisnili istočasno.	1. Povlecite gumb za odklepanje in ga pridržite. 2. Pritisnite na sprožilec, da zaženete napravo.

Težava	Možen vzrok	Rešitev
Naprava se med košnjo ustavi.	Ščit ni pritrjen na napravo.	Odstranite baterijski sklop in ščit namestite na napravo.
	Uporabljate je debelo nitko za košnjo.	Uporabite le z najlonsko nitko za košnjo s 2 mm premerom.
	Okoli gredi motorja ali glave kosilnice se ovija trava.	1. Zaustavite napravo. 2. Odstranite baterijski sklop. 3. Z gredi motorja in glave kosilnice odstranite travo.
	Motor je preobremenjen.	1. Glavo kosilnice z nitko odstranite iz trave. 2. Motor bo zopet deloval, ko boste odstranili obremenitev. 3. Pri košnji premakajte glavo kosilnice z nitko v in iz trave ter je ne ob enem rezu ne premaknite več kot 8".
Baterijski sklop ali naprava je prevroča.	Baterijski sklop ali naprava je prevroča.	1. Baterijski sklop ohlajajte, dokler se njegova funkcija ne vrne na normalno. 2. Napravo ohlajajte približno 10 minut.
	Baterijski sklop je odklopljen iz orodja.	Baterijski sklop ponovno namestite.
	Baterijski sklop je izprazen.	Baterijski sklop napolnite.
Nitka se ne premakne.	Nitki sta zvarjeni skupaj.	Namažite ju s silikon-skim pršilom.
	Na navitku ni dovolj nitke za košnjo.	Namestite več nitke.
	Nitki sta prekratki.	Nitko povlecite.
	Nitki sta zapleteni na navitku.	1. Nitki odstranite iz navitka. 2. Navijte nitki.

Težava	Možen vzrok	Rešitev
Nitka se trga.	Napravo uporabljate napačno.	1. Kosite s konico nitke, izogibajte se kamnom, stenam in drugim trdim objektom.  2. Nitko redno povlecite, da ohranite celotno širino košnje.
Trava se ovija okrog glave kosilnice z nitko in ohišja motorja.	Visoko travo režite pri tleh.	1. Visoko travo kosite z vrha navzdol.  2. Da preprečite ovijanje se pri vsakem rezu premaknite za največ 8".
Nitka ne reže dobro.	Rezilo za rezanje nitke postane topo.	Naostrite ga s pilo ali ga zamenjate z novim rezilom.
Vibracije se vidno povečajo.	Nitka je obrabljena na eni strani in ni pravočasno povlečena naprej.	Poskrbite, da je nitka na obeh straneh enaka. Povlecite nitko.

## 8 TEHNIČNI PODATKI

Napetost	40 V	
Ni obremenitvene hitrosti	6300 ±10%rpm (kosilnica za travo), 6800±10%rpm (motorna kosa)	
Glava za rezanje	Dovajanje z udarcem/rezilo motorne kose	
Premer nitke za košnjo	2 mm	
Premer poti za košnjo	356/406mm (kosilnica za travo), 254mm (motorna kosa)	
Teža (brez akumulatorja)	4.5 kg	
Model baterije	G40B2/G40B25/G40B4 in druge serije BAF	
Modela polnilca	G40C in druge serije CAF	
Kosilnica za travo	Izmerjena raven hrupa	$L_{PA}=78.4 \text{ dB(A)}$ , $K_{PA}= 3 \text{ dB(A)}$
	Zajamčena raven zvočne moči	$L_{WA,d}=96 \text{ dB(A)}$
	Vibracije	$<2.5 \text{ m/s}^2$ , $k=1.5 \text{ m/s}^2$

Motorna kosa	Izmerjena raven hrupa	$L_{PA}=82.8 \text{ dB(A)}$ , $K=3 \text{ dB(A)}$
	Zajamčena raven zvočne moči	$L_{WA,d}=101 \text{ dB(A)}$
	Vibracije	$<2.5 \text{ m/s}^2$ , $k=1.5 \text{ m/s}^2$



96 dB. Vrednost hrupa. (Kosilnica za travo)

101 dB. Vrednost hrupa. (Motorna kosa)

## 9 GARANCIJA

(Pogoji za polno garancijo so navedeni na Greenworks spletni strani [www.greenworkstools.eu](http://www.greenworkstools.eu))

Garancija Greenworks je za izdelke triletna, za baterije pa dvoletna (za potrošnika/zasebno uporabo) od datuma nabave. Ta garancija pokriva napake proizvodnje. Izdelek z napako, ki je pod garancijo, lahko popravimo ali zamenjamo. Garancija ne velja v primeru napačne uporabe ob neupoštevanju priročnika za uporabnike. Garancija ne pokriva običajne obrabe in obrabljenih delov. Dodatna garancija, ki jo lahko nudi prodajalec, ne vpliva na garancijo proizvajalca.

Za uveljavljanje garancije mora biti izdelek vrnjen na mesto prodaje, s priloženim dokazilom o nakupu (potrdilom o plačilu).

## 10 IZJAVA ES O SKLADNOSTI

Naziv in naslov proizvajalca:

Ime: GLOBGRO AB  
Globe Group Europe

Naslov: Riggaregatan 53, 211 13 Malmö, Švedska

Ime in naslov osebe, ki je pooblaščen za pripravo tehnične dokumentacije:

Ime: Micael Johansson

Naslov: Riggaregatan 53, 211 13 Malmö, Švedska

Izjavljamo, da je izdelek

Kategorija: Kosilnica z nitko / Motorna kosa

Model: 2105707(STF457)

Serijska številka: Glejte nalepko s podatki o izdelku

Leto izdelave: Glejte nalepko s podatki o izdelku

- skladen z ustreznimi določbami Direktive o strojih 2006/42/ES.
- skladen z določbami teh drugih direktiv ES:
  - 2014/30/EU
  - 2000/14/ES & 2005/88/ES
  - 2011/65/EU & (EU)2015/863

Poleg tega izjavljamo, da so bili upoštevani ti usklajeni standardi (njihovi deli/klavzule):

- EN 60335-1; EN 50636-2-91; EN 62233; EN 55014-1; EN 55014-2 ; EN ISO 3744; EN ISO 3744; ISO 11094; EN ISO 11806-1; IEC 62321-7-2; IEC 62321-4; IEC 62321-5; IEC 62321-6; IEC 62321-7-1; IEC 62321-8; IEC 62321-3-1.

Metoda ocene skladnosti za priložo VI / Direktiva 2000/14/EC.

Kosilnica z nitko

Izmerjena raven zvočne moči:  $L_{WA}$  : 93.3 dB(A)

Zajamčena raven zvočne moči:  $L_{WA,d}$  : 96 dB(A)

Motorna kosa

Izmerjena raven zvočne moči:  $L_{WA}$  : 97.3dB(A)

Zajamčena raven zvočne moči:  $L_{WA,d}$  : 101dB(A)

Kraj, datum: Podpis: Ted Qu, direktor kakovosti

Malmö, 7.28.2021

Ted Qu

<b>1</b>	<b>Opis.....</b>	<b>131</b>	4.7	Nož za odsijecanje niti.....	133
1.1	Svrha.....	131	<b>5</b>	<b>Održavanje.....</b>	<b>133</b>
1.2	Pregled.....	131	5.1	Opći podaci.....	133
<b>2</b>	<b>Sigurnost.....</b>	<b>131</b>	5.2	Očistite stroj .....	133
<b>3</b>	<b>Ugradnja.....</b>	<b>131</b>	5.3	Zamjena koluta.....	133
3.1	Uklanjanje stroja iz ambalaže.....	131	5.4	Zamjena rezne niti.....	134
3.2	Pričvršćivanje štitnika.....	131	5.5	Sastavljanje glave trimera.....	134
3.3	Postavljanje drške.....	132	5.6	Uklanjanje glave trimera.....	134
3.4	Postavljanje pomoćne ručke.....	132	5.7	Zamijenite udarni gumb.....	134
3.5	Upotrebljavajte naramenicu.....	132	5.8	Sastavljanje četkastog rezača.....	134
3.6	Umetnite bateriju.....	132	5.9	Uklonite četkasti rezač.....	134
3.7	Uklonite baterijski modul.....	132	<b>6</b>	<b>Transport i skladištenje.....</b>	<b>135</b>
<b>4</b>	<b>Rukovanje.....</b>	<b>132</b>	6.1	Pomicanje stroja.....	135
4.1	Pokrenite stroj.....	132	6.2	Skladištenje stroja.....	135
4.2	Zaustavite stroj.....	132	<b>7</b>	<b>Otklanjanje problema.....</b>	<b>135</b>
4.3	Savjeti za rad.....	132	<b>8</b>	<b>Tehnički podaci.....</b>	<b>136</b>
4.4	Savjeti za rezanje.....	132	<b>9</b>	<b>Jamstvo.....</b>	<b>136</b>
4.5	Podешavanje duljine rezne niti.....	133	<b>10</b>	<b>EZ izjava o sukladnosti.....</b>	<b>136</b>
4.6	Podешavanje promjera košenja.....	133			

## 1 OPIS

### 1.1 SVRHA

Ovaj uređaj služi za rezanje trave, mekšeg korova i druge slične vegetacije na ili u blizini razine tla. Rezna ravnina mora biti približno paralelna s površinom tla. Uređaj ne smijete koristiti za rezanje i sječu živice, žbunja, grmlja, cvijeća i komposta.

### 1.2 PREGLED

Slika 1 - 23.

- 1 Okidač
- 2 Gumb za deblokadu
- 3 Gornja drška
- 4 Pomoćni rukohvat
- 5 Donja drška
- 6 Štitnik
- 7 Rezna oštrica
- 8 Glava šišača trave
- 9 Poklopac štitnika
- 10 Oštrica
- 11 Gumb za otpuštanje
- 12 Otvor za pozicioniranje
- 13 Inbus ključ
- 14 Središnji okretni gumb
- 15 Poklopac
- 16 Donji nosač
- 17 Poklopac kalema
- 18 Kalem
- 19 Jezičac
- 20 Otvor za izlaz niti
- 21 Ključ
- 22 Matica
- 23 Vanjska čašica
- 24 Vanjska prstenasta matica
- 25 Unutarnja čašica
- 26 Otvor za prijenos kuta
- 27 Udarni gumb
- A Smjer vrtnje
- B Područje najboljeg košenja
- C Područje opasnog košenja

## 2 SIGURNOST

### ▲ UPOZORENJE

Pazite da se pridržavate svih upute u vezi sigurnosti.

Pogledajte priručnik za sigurnost.

## 3 UGRADNJA

### ▲ UPOZORENJE

Prije ugradnje iz stroja izvadite baterijski modul.

### ▲ UPOZORENJE

Nemojte koristiti dodatnu opremu koja nije preporučena za ovaj uređaj.

### 3.1 UKLANJANJE STROJA IZ AMBALAŽE

### ▲ UPOZORENJE

Pobrinite se da propisno sklopite stroj prije upotrebe.

### ▲ UPOZORENJE

- Stroj nemojte upotrebljavati ako su dijelovi stroja oštećeni.
- Ako nedostaju dijelovi, nemojte upravljati strojem.
- Ako su dijelovi oštećeni ili ako nedostaju, obratite se servisnom centru.

1. Otvorite pakiranje.
2. Pročitajte dokumentaciju koju ste dobili u pakiranju.
3. Izvadite sve nesastavljene dijelove iz kutije.
4. Izvadite stroj iz kutije.
5. Kutiju i ambalažu zbrinite u skladu s lokalnim propisima.

### ▲ UPOZORENJE

Radi vaše osobne sigurnosti nemojte umetati bateriju prije nego u cijelosti sastavite alat.

### 3.2 PRIČVRŠĆIVANJE ŠTITNIKA

Slika 2.

### ▲ UPOZORENJE

Ne dirajte nož za odsijecanje.

1. Uklonite vijke s glave trimera koristeći križni odvijač (nije isporučen).
2. Postavite štitnik na glavu trimera.
3. Poravnajte otvore za vijak na štitniku s otvorima za vijak na glavi trimera.
4. Zategnite vijke.
5. Na štitnik postavite poklopac.
6. Poravnajte rupe za vijke na poklopcu štitnika s rupama za vijke na štitniku.
7. Zategnite vijke.

### 3.3 POSTAVLJANJE DRŠKE

Slika 3.

1. Otpustite vijak na spojki.
2. Pritisnite gumb za otpuštanje na donjoj drški.
3. Poravnajte gumb za otpuštanje s otvorom za pozicioniranje i pomaknite obje drške.
4. Okrećite donju dršku dok se gumb ne zabravi u otvoru za pozicioniranje.

#### i NAPOMENA

Gumb za otpuštanje mora biti pričvršćen u otvoru za pozicioniranje. Upotreba pogrešnog otvora može uzrokovati tjelesne ozljede ili oštećenje jedinice.

5. Pritegnite vijak imbus ključem.

### 3.4 POSTAVLJANJE POMOĆNE RUČKE

Slika 4.

1. Otpustite središnji vijak.
2. Uklonite poklopac i donji nosač.

#### i NAPOMENA

Nemojte zaboraviti oprugu u nosaču.

3. Postavite pomoćnu ručku u donji nosač.
4. Postavite poklopac na donji nosač.
5. Postavite cijeli blok u kućište na osovini.
6. Postavite pomoćnu ručku u udoban položaj.
7. Zaključajte pomoćnu ruku središnjim vijkom.

### 3.5 UPOTREBLJAVAJTE NARAMENICU

Slika 5.

1. Pričvrstite karabiner na prsten za nošenje pile
2. Stavite traku za rame na rame.
3. Prilagodite duljinu trake tako da karabiner bude približno za širinu šake ispod vašeg desnog kuka.

### 3.6 UMETNITE BATERIJU

Slika 6.

#### ▲ UPOZORENJE

- Ako su baterijski modul ili punjač oštećeni, zamijenite baterijski modul ili punjač.
- Zaustavite stroj i pričekajte da se motor zaustavi prije ugradnje ili uklanjanja baterijskog modula.
- Pročitajte, upoznajte i slijedite upute za baterijski i punjač.

1. Poravnajte izbočenja na baterijskom modulu sa žljebovima u odjeljku za bateriju.

2. Gurnite baterijski modul u odjeljak za bateriju tako da baterijski modul uskoči na svoje mjesto.
3. Kad začujete klik, baterijski modul je ugrađen.

### 3.7 UKLONITE BATERIJSKI MODUL

Slika 6.

1. Pritisnite i držite gumb za oslobađanje baterije.
2. Izvadite baterijski modul iz stroja.

## 4 RUKOVANJE

#### i VAŽNO

Prije upotrebe uređaja, s razumijevanjem pročitajte sigurnosne propise i upute za upotrebu.

#### ▲ UPOZORENJE

Budite oprezni kada koristite stroj.

### 4.1 POKRENITE STROJ

Slika 7.

1. Pritisnite gumb za blokadu i povucite okidač.

### 4.2 ZAUSTAVITE STROJ

Slika 7.

1. Otpustite okidač da zaustavite rad stroja.

### 4.3 SAVJETI ZA RAD

Slika 8.

#### ▲ UPOZORENJE

Držite razmak između tijela i uređaja.

#### ▲ UPOZORENJE

Ne koristite stroj bez postavljenog štitnika.

#### Primenjujte ove savjete dok koristite uređaj

- Uređaj držite povezanim sa pravilno postavljenim pojasom.
- Uređaj čvrsto držite dvjema rukama dok koristite uređaj.
- Visoku travu režite odozgo prema dolje.

#### Ako se trava omota oko glave trimera:

- Uklonite baterijski modul.
- Uklonite travu.

### 4.4 SAVJETI ZA REZANJE

Slika 9.

- Nagnite uređaj prema području koje režete. Travu režite vrhom rezne niti.
- Pomičite uređaj zdesna nalijevo kako se ostaci ne bi odbacivali prema vama.
- Nemojte kositi u opasnom području.
- Nemojte silom gurati glavu trimera u nepodrezanu travu.
- Žice i drvene ograde mogu dovesti do trošenja i pucanja rezne niti. Zidovi i kamena i cigle, rubnici i drvo mogu brzo istrošiti reznu nit.

## 4.5 PODEŠAVANJE DULJINE REZNE NITI

Slika 10.

Dok koristite uređaj, rezna nit se troši i skraćuje. Duljinu rezne niti možete prilagoditi.

1. Udarite glavom trimera o tlo dok koristite stroj.
2. Automatski će se osloboditi rezna nit, a rezni nož odrezati višak trave.

## 4.6 PODEŠAVANJE PROMJERA KOŠENJA

Slika 11.

### i NAPOMENA

Stroj je podešen na 356 mm promjer košenja. Možete podesiti 406 mm promjer košenja.

Podesite promjer košenja na 356 mm za duže vrijeme rada i 406 mm za veće područje košenja.

1. Uklonite baterijski modul.
2. Uklonite vijke noža s noža za odsijecanje.
3. Okrenite nož za odsijecanja za 180°.
4. Pritegnite vijke noža.

## 4.7 NOŽ ZA ODSIJECANJE NITI

Slika 11.

Ovaj je trimmer opremljen nožem za rezanje niti na štitičku. Nož za rezanje rezne niti neprestano reže nit kako bi osigurao dosljedan i učinkovit promjer rezanja. Svaki put kad čujete da motor radi brže nego što je to normalno ili kad se smanji učinkovitost košnje. Time ćete održati najbolja radna svojstva i držati reznu nit dostatno dugačkom kako bi se pravilno izvlačila.

## 5 ODRŽAVANJE

### i VAŽNO

S razumijevanjem pročitajte sigurnosne upute i upute za održavanje prije početka čišćenja, popravljanja ili održavanja uređaja.

### i VAŽNO

Uvjerite se da su sve matice, vijci i svornjaci pritegnuti. Redovito provjeravajte jeste li čvrsto postavili ručke.

### i VAŽNO

Koristite samo zamjenske dijelove i dodatnu opremu izvornog proizvođača.

## 5.1 OPĆI PODACI

### i VAŽNO

Samo prodavač ili ovlašteni servisni centar može izvoditi održavanje koje nije opisano u ovom priručniku.

Prije početka upotrebe uređaja:

- Zaustavite rad stroja.
- Uklonite baterijski modul.
- Ohladite motor.
- Stroj skladištite na hladnom i suhom mjestu.
- Nosite odgovarajuću odjeću, zaštitne rukavice i sigurnosne naočale.

## 5.2 OČISTITE STROJ

- Očistite stroj nakon svake upotrebe vlažnom krpom natopljenom u neutralnom deterdžentu.
- Nemojte upotrebljavati agresivne deterdžente ili otapala „poput sredstava za čišćenje stakla“ pri čišćenju plastičnih dijelova i ručki.
- Na glavi trimera ne smije biti trave, lišća i previše masnoća.
- Ventilacijske otvore održavajte čistima i bez naslaga kako biste izbjegli pregrijavanje i oštećenje motora.
- Nemojte raspršivati vodu na motor i električne dijelove.

## 5.3 ZAMJENA KOLUTA

Slika 12 - 20.

1. Istovremeno pritisnite jezičke na bočnim dijelovima glave trimera.
2. Povucite i izvadite poklopac koluta.
3. Uklonite ostatak koluta.
4. Postavite kolut u njegov poklopac.

### i NAPOMENA

Umetnite reznu nit u utor na novom kolutu tako da strši otprilike 15 cm niti prije nego postavite novi kolut.

5. Krajeve reznih niti provucite kroz otvore.
6. Izvucite reznu nit kako biste je oslobodili iz vodećeg utora u kolutu.
7. Ugradite kolut i poklopac na glavu trimera.

8. Gurajte poklopac koluta dok ne škljocne u mjestu.

## 5.4 ZAMJENA REZNE NITI

Slika 14 - 16.

### i NAPOMENA

Uklonite ostatak rezne niti s koluta.

### i NAPOMENA

Koristite samo s najlonskom reznom niti promjera 2 mm .

1. Odrežite komad rezne niti, dug približno 3 m.
2. Presavijte nit na sredini njene duljine i zakačite omču u utor u središtu obruča koluta. Pobrinite se da nit sjedne na mjesto u utoru.
3. S prstom postavljenim između niti, ravnomjerno i čvrsto namotajte niti oko koluta u naznačenom smjeru.
4. Umetnite niti u vodeće utore.
5. Nemojte namotati niti preko ruba koluta.

## 5.5 SASTAVLJANJE GLAVE TRIMERA

Slika 21.

1. Pravilno postavite odstoynik na osovinu.
2. Postavite unutarnju prstenastu maticu na unutarnju čašicu u naznačenom smjeru.
3. Pazite da su žljebovi unutarnje prstenaste matice savršeno poravnati s prijenosom kuta.
4. Stavite ključ u naznačeni otvor kuta prijenosa.
5. Okrenite glavu trimera i gurajte ključ dok se ne zahvati u otvoru unutarnje prstenaste matice i tako blokira okretanje.
6. Sastavljanje glave trimera.
7. Okrećite glavu trimera ulijevo kako biste je stegnuli.
8. Uklonite ključ.

### i VAŽNO

Kada koristite glavu trimera, potrebno je ugraditi rezni nož.

## 5.6 UKLANJANJE GLAVE TRIMERA

Slika 21.

1. Stavite ključ u naznačeni otvor kuta prijenosa.
2. Okrenite glavu trimera i gurajte ključ dok se ne zahvati u otvoru unutarnje prstenaste matice i tako blokira okretanje.
3. Okrećite glavu trimera udesno kako biste je otpustili. Nemojte ukloniti odstoynik iz osovine.

## 5.7 ZAMIJENITE UDARNI GUMB

Slika 13.

1. Istovremeno pritisnite jezičke na bočnim dijelovima glave trimera.
2. Povucite i izvadite poklopac koluta.
3. Skinite kolut.
4. Držite udarni gumb za izvlačenje niti i izvucite ga uz pomoć metalne šipke (nije isporučena).
5. Stavite novi udarni gumb u kućište koluta.

## 5.8 SASTAVLJANJE ČETKASTOG REZAČA

Slika 22 - 23.

### ▲ UPOZORENJE

Nosite rukavice i budite oprezni s oštrim rubovima.

### ▲ UPOZORENJE

Postavite štitnik na nož.

1. Pravilno postavite odstoynik na osovinu.
2. Postavite unutarnju prstenastu maticu na unutarnju čašicu u naznačenom smjeru.
3. Pazite da su žljebovi unutarnje prstenaste matice savršeno poravnati s prijenosom kuta.
4. Postavite nož i vanjsku prstenastu maticu s ravnim dijelom okrenutim prema nožu.
5. Postavite vanjsku čašicu bez pritezanja matice.
6. Stavite ključ u naznačeni otvor kuta prijenosa.
7. Okrenite nož i pritisnite ključ dok nož ne uđe u unutarnji otvor prstenaste matice i tako blokira okretanje.
8. Stegnite maticu ulijevo koristeći ključ veličine 19 mm ili 3/4 in. (44/58 Nm).

## 5.9 UKLONITE ČETKASTI REZAČ

Slika 22 - 23.

### ▲ UPOZORENJE

Postavite štitnik na nož.

1. Stavite ključ u naznačeni otvor kuta prijenosa.
2. Okrenite nož i gurajte ključ dok se ne zahvati u otvoru unutarnje prstenaste matice i tako blokira okretanje.
3. Otpustite maticu ulijevo i uklonite vanjsku čašicu.
4. Uklonite vanjsku prstenastu maticu, nož, unutarnju čašicu i unutarnju prstenastu maticu. Nemojte ukloniti odstoynik iz osovine.



## 6 TRANSPORT I SKLADIŠTENJE

### 6.1 POMICANJE STROJA

Prije pomicanja stroja, morate:

- Nositi rukavice.
- Zaustavite rad stroja.
- Uklonite baterijski modul.
- Sklopiti štitnik noža.

### 6.2 SKLADIŠTENJE STROJA

- Uklonite baterijski modul iz stroja i napunite ga.
- Pobrinite se da djeca ne mogu pristupiti u blizinu stroja.
- Držite uređaj podalje od korozivnih sredstava kao što su vrtno kemikalije i soli za odležavanje.
- Učvrstite uređaj tijekom transporta kako ne bi došlo do oštećenja ili ozljeda. Očistite i pregledajte ima li oštećenja na uređaju.

## 7 OTKLANJANJE PROBLEMA

Problem	Mogući uzrok	Rješenje
Uređaj se ne pokreće nakon pritiska okidača.	Nema električnog kontakta između uređaja i baterijskog modula.	1. Uklonite baterijski modul. 2. Provjerite kontakt pa vratite baterijski modul.
	Baterijski modul je ispražnjen.	Napunite baterijski modul.
	Gumb za blokadu i okidač nisu istovremeno pritisnuti.	1. Povucite gumb za blokadu i zadržite ga. 2. Povucite okidač za pokretanje stroja.

Problem	Mogući uzrok	Rješenje
Uređaj se zaustavlja dok režete.	Na uređaj nije postavljen štitnik.	Uklonite baterijski modul i postavite štitnik na uređaj.
	Koristite tešku reznu nit.	Koristite samo s najlonskom reznom niti promjera 2 mm .
	Oko osovine motora ili glave trimera namata se trava.	1. Zaustavite rad stroja. 2. Uklonite baterijski modul. 3. Uklonite travu s osovine motora i glave trimera.
	Motor je preopterećen.	1. Uklonite glavu trimera iz trave. 2. Motor će se vratiti u radno stanje čim uklonite izvor opterećenja. 3. Dok režete, pomičite glavu trimera u travu i iz trave koju režete i pritom nemojte odrezati više od 8" u jednom prolazu.
Baterijski modul ili uređaj je pre-vruć.	Baterijski modul je odspojen s alata.	1. Pričekajte da se ohladi baterijski modul, dok se njegova funkcija ne vrati u normalu. 2. Uređaj hladite približno 10 minuta.
	Baterijski modul je ispražnjen.	Napunite baterijski modul.
	Baterijski modul je odspojen s alata.	Ponovno umetnite baterijski modul.
Nit ne izlazi.	Nit je slijepjena.	Podmažite silikonom u spreju.
	Nema dovoljni niti na kolutu.	Postavite još niti.
	Nit je prekratka.	Izvucite nit.
	Nit je zapetljana na kolutu.	1. Uklonite nit sa koluta. 2. Namotajte nit.

Problem	Mogući uzrok	Rješenje
Nit stalno puca.	Uređaj se koristi nepravilno.	1. Režite vrhom niti, izbjegavajte kamenje, zidove i druge tvrde predmete. 2. Redovito izvlačite reznu nit kako biste zadržali punu širinu reza.
Trava se namata oko glave trimera i kućišta motora.	Visoku travu režite na visini tla.	1. Visoku travu režite odozgo prema dolje. 2. U pojedinom prolazu nemojte odrezati više od 8" kako ne bi došlo do omatanja.
Nit ne reže dobro.	Rezni nož je otupio.	Naoštrite rezni nož koristeći turpiju ili ga zamijenite.
Vibracije se osjetno povećavaju.	Nit je istrošena na jednoj strani, a niste je na vrijeme izvukli.	Pazite da je nit na obje strane jednake duljine. Izvucite nit.

## 8 TEHNIČKI PODACI

Napon	40 V	
Brzina bez opterećenja	6300 ±10%/min (Trimer za travu), 6800±10%/min (Nož za rezanje grmlja)	
Rezna glava	Automatsko produljivanje/ nož s četkastim rezačem	
Promjer rezne niti	2 mm	
Promjer reznog puta	356/406mm (Trimer za travu), 254mm (Nož za rezanje grmlja)	
Težina (bez baterijskog modula)	4.5 kg	
Model baterije	G40B2/G40B25/G40B4 i druge BAF serije	
Model punjača	G40C i druge CAF serije	
Trimer za travu	Izmjerena razina tlaka zvuka	$L_{PA}=78.4 \text{ dB(A)}$ , $K_{PA}= 3 \text{ dB(A)}$
	Zajamčena razina snage zvuka	$L_{WA,d}=96 \text{ dB(A)}$
	Vibracije	$<2.5 \text{ m/s}^2$ , $k=1.5 \text{ m/s}^2$

Rezač s četkom	Izmjerena razina tlaka zvuka	$L_{PA}=82.8 \text{ dB(A)}$ , $K=3 \text{ dB(A)}$
	Zajamčena razina snage zvuka	$L_{WA,d}=101 \text{ dB(A)}$
	Vibracije	$<2.5 \text{ m/s}^2$ , $k=1.5 \text{ m/s}^2$



96 dB. Vrijednost buke. (Trimer za travu)

101 dB. Vrijednost buke. (Rezač s četkom)

## 9 JAMSTVO

(Potpuni uvjeti i odredbe jamstva mogu se pronaći na Greenworks web stranici [www.greenworkstools.eu](http://www.greenworkstools.eu))

Greenworks Jamstvo koje vrijedi 3 godine za proizvod i 2 godine za baterije (potrošačka/osobna upotreba) od datuma kupnje. Ovim jamstvom obuhvaćene su greške u proizvodnji. Neispravan proizvod u okviru jamstva možete se popraviti ili zamijeniti novim. Uređaj koji se koristio na nepropisni način ili na način koji nije opisan u vlasničkom priručniku možda neće biti obuhvaćen ovim jamstvom. Normalno trošenje i potrošni dijelovi nisu obuhvaćeni jamstvom. Na originalno jamstvo proizvođača ne utječu dodatna jamstva koja daje predstavnik ili prodavač.

Neispravan proizvod mora se vratiti na mjesto kupnje radi ostvarenja popravka u okviru jamstva zajedno s dokazom o kupnji (računom).

## 10 EZ IZJAVA O SUKLADNOSTI

Naziv i adresa proizvođača:

Naziv: GLOBGRO AB

Globe Group Europe

Adresa: Riggaregatan 53, 211 13 Malmö, Švedska

Naziv i adresa osobe ovlaštene za kompiliranje tehničke datoteke:

Name: Micael Johansson

Adresa: Riggaregatan 53, 211 13 Malmö, Švedska

Ovime izjavljujemo da proizvod

Kategorija: Trimer za travu / Rezač s četkom

Model: 2105707(STF457)

Serijski broj: Pogledajte natpis s nazivnim podacima

Godina proizvodnje: Pogledajte natpis s nazivnim podacima

- je u skladnosti s relevantnim odredbama direktive o strojevima 2006/42/EZ.
- je u skladnosti s odredbama sljedećih ostalih EZ direktiva:
  - 2014/30/EU
  - 2000/14/EZ & 2005/88/EZ
  - 2011/65/EU & (EU)2015/863

Štoviše, izjavljujemo da su korišteni sljedeći (dijelovi/ rečenice) usklađeni standardi:

- EN 60335-1; EN 50636-2-91; EN 62233; EN 55014-1; EN 55014-2 ; EN ISO 3744; EN ISO 3744; ISO 11094; EN ISO 11806-1; IEC 62321-7-2; IEC 62321-4; IEC 62321-5; IEC 62321-6; IEC 62321-7-1; IEC 62321-8; IEC 62321-3-1.

Metoda procjene sukladnosti prema Dodatku VI direktive 2000/14/EZ.

Trimer za travu

Izmjerena razina snage zvuka:  $L_{WA}$  : 93.3 dB(A)

Zajamčena razina snage zvuka:  $L_{WA,d}$  : 96 dB(A)

Rezač s četkom

Izmjerena razina snage zvuka:  $L_{WA}$  : 97.3dB(A)

Zajamčena razina snage zvuka:  $L_{WA,d}$  : 101dB(A)

Mjesto, datum Potpis: Ted Qu, direktor za kvalitetu

Malmö, 7.28.2021

Ted Qu

<b>1</b>	<b>Leírás.....</b>	<b>139</b>	4.7	Vágópenge.....	141
1.1	Cél.....	139	<b>5</b>	<b>Karbantartás.....</b>	<b>141</b>
1.2	Áttekintés.....	139	5.1	Általános információk.....	141
<b>2</b>	<b>Biztonság.....</b>	<b>139</b>	5.2	A gép tisztítása.....	141
<b>3</b>	<b>Telepítés.....</b>	<b>139</b>	5.3	Az orsó cseréje.....	142
3.1	A gép kicsomagolása.....	139	5.4	A vágószál cseréje.....	142
3.2	Védőburkolat csatlakoztatása.....	139	5.5	A sövénynyíró fej összeszerelése.....	142
3.3	A tengely összeszerelése.....	140	5.6	A fúkasza fej levétele.....	142
3.4	A segédfogantyú csatlakoztatása.....	140	5.7	A kioldó rögzítőelem cseréje.....	142
3.5	Használja a vállszíjat.....	140	5.8	A fúkasza összeszerelése.....	142
3.6	Helyezze be az akkumulátoregységet....	140	5.9	A fúkasza levétele.....	143
3.7	Az akkumulátoregység kivétele.....	140	<b>6</b>	<b>Szállítás és tárolás.....</b>	<b>143</b>
<b>4</b>	<b>Üzemeltetés.....</b>	<b>140</b>	6.1	A gép szállítása.....	143
4.1	A gép elindítása.....	140	6.2	A gép tárolása.....	143
4.2	A gép leállítása.....	140	<b>7</b>	<b>Hibaelhárítás.....</b>	<b>143</b>
4.3	Tippek a működtetéshez.....	140	<b>8</b>	<b>Műszaki adatok.....</b>	<b>144</b>
4.4	Vágóhegyek.....	141	<b>9</b>	<b>Jótállás.....</b>	<b>145</b>
4.5	A vágószál hosszának beállítása.....	141	<b>10</b>	<b>EK megfelelőségi nyilatkozat.</b>	<b>145</b>
4.6	A vágás átmérőjének beállítása.....	141			

## 1 LEÍRÁS

### 1.1 CÉL

A gép fű, gyengébb dudvák és más hasonló növények talajszinthez közel való nyírására készült. Az osztósíknak körülbelül párhuzamosnak kell lennie a talaj felületével. Nem használhatja a gépet sövények, cserjék, bokrok, virágok és komposzt nyírására vagy felvágására.

### 1.2 ÁTTEKINTÉS

Ábra 1 - 23.

- 1 Ravasz
- 2 Zár kioldó gomb
- 3 Felső tengely
- 4 Segédfohantyú
- 5 Alsó tengely
- 6 Védőburkolat
- 7 Vágópenge
- 8 Fűkasza fej
- 9 Védőburkolat sapka
- 10 Penge
- 11 Kioldó gomb
- 12 Pozicionálólyuk
- 13 Imbuszkulcs
- 14 Központi gomb
- 15 Sapka
- 16 Alsó tartó
- 17 Orsó burkolat
- 18 Orsó
- 19 Tab
- 20 Vágószál kimeneti nyílás
- 21 Csavarkulcs
- 22 Csavar
- 23 Külső sapka
- 24 Külső gyűrűs anya
- 25 Belső sapka
- 26 Szög állító nyílás
- 27 Kioldó rögzítőelem
- A Forgásirány
- B Legjobb nyírási terület
- C Veszélyes nyírási terület

## 2 BIZTONSÁG

### ▲ FIGYELMEZTETÉS

Tartson be minden biztonsági utasítást.

Lásd a biztonsági útmutatót.

## 3 TELEPÍTÉS

### ▲ FIGYELMEZTETÉS

Telepítés előtt vegye ki az akkumulátoregységet a gépből.

### ▲ FIGYELMEZTETÉS

Ne használjon olyan tartozékokat, amelyek nem javasoltak ehhez a géphez.

### 3.1 A GÉP KICSOMAGOLÁSA

#### ▲ FIGYELMEZTETÉS

Használat előtt ellenőrizze, hogy megfelelően szerelte-e össze a gépet.

#### ▲ FIGYELMEZTETÉS

- Amennyiben a gép alkatrészei megsérültek, akkor ne használja a gépet.
- Ha alkatrészek hiányoznak, ne működtesse a gépet.
- Ha az alkatrészek sérültek vagy hiányoznak, akkor vegye fel a kapcsolatot a szervizközponttal.

1. Nyissa ki a csomagolást.
2. Olvassa el a dobozban lévő dokumentációt.
3. Vegyen ki minden nem összeszerelt alkatrészt a dobozból.
4. Vegye ki a gépet a dobozból.
5. A dobozt és a csomagolóanyagot a helyi szabályoknak megfelelően ártalmatlanítsa.

#### ▲ FIGYELMEZTETÉS

A saját biztonsága érdekében ne helyezze be az akkumulátort addig, amíg a szerszám nincsen teljes összeszerelve.

### 3.2 VÉDŐBURKOLAT CSATLAKOZTATÁSA

Ábra 2.

#### ▲ FIGYELMEZTETÉS

Ne érjen az éles vágópengéhez.

1. Távolítsa el a csavarokat a fűkasza fejről egy Phillips csavarhúzóval (nincs mellékelve).
2. Helyezze fel a burkolatot a fűkasza fejre.
3. Illesse a védőburkolaton lévő csavar nyílásokat a fűkasza fejen lévő csavar nyílásokhoz.
4. Húzza meg a csavarokat
5. Helyezze fel a védőburkolat sapkát a védőburkolatra.

- Illessze a védőburkolat sapkán lévő csavar nyílásokat a védőburkolaton lévő csavar nyílásokhoz.
- Húzza meg a csavarokat

### 3.3 A TENGYELY ÖSSZESZERELÉSE

3.. *ábra*

- Lazítsa meg a hüvelyen található csavart.
- Nyomja be az alsó tengelyen található kioldó gombot.
- Illessze a kioldó gombot a pozicionálólyukhoz, és csúsztassa a két tengelyt.
- Forgassa addig az alsó tengelyt, amíg a gomb bele nem helyezkedik a pozicionálólyukba.

#### **i** MEGJEGYZÉS

A kioldógombot a pozicionálólyukban kell rögzíteni. Ha nem a megfelelő lyukat használja, akkor az személyi sérülést vagy az egység megrongálódását okozhatja.

- Húzza meg a csavart az imbuszkulccsal.

### 3.4 A SEGÉDFOGANTYÚ CSATLAKOZTATÁSA

*Ábra 4.*

- Oldja ki a központi gombot.
- Vegye le a sapkát és az alsó tartót.

#### **i** MEGJEGYZÉS

Ne hagyja ki a rugót a tartóból.

- Helyezze a segédfogantyút az alsó tartóba.
- Helyezze fel a sapkát az alsó tartóra.
- Helyezze a teljes blokkot a tengelyen lévő burkolatba.
- Állítsa a segédfogantyút kényelmes pozícióba.
- Rögzítse a segédfogantyút a központi gombbal.

### 3.5 HASZNÁLJA A VÁLLSZÍJAT

*Ábra 5.*

- Csatlakoztassa a karabinert a rúd szállítógyűrűjére.
- Tegye fel a vállszíjat.
- A szíj hosszát úgy állítsa be, hogy a karabiner a jobb csípője alatti kezének szélessége legyen.

### 3.6 HELYEZZE BE AZ AKKUMULÁTOREGYSÉGET.

*Ábra 6.*

#### **▲** FIGYELMEZTETÉS

- Ha az akkumulátoregység vagy a töltő sérült, akkor cserélje ki az akkumulátoregységet vagy a töltőt.
- Állítsa le a motort, és várjon, amíg a motor leáll, mielőtt felhelyezi vagy leveszi az akkumulátoregységet.
- Olvassa el, ismerje meg, és tartsa be akkumulátor és a töltő használati útmutatójában lévő utasításokat.

- Illessze az akkumulátoregységen lévő emelőbordákat akkumulátortartóban lévő hornyokba.
- Tolja be akkumulátoregységet az akkumulátortartóba, amíg az akkumulátoregység a helyére nem rögzül.
- Amikor kattanást hall, az akkumulátoregység be van helyezve.

### 3.7 AZ AKKUMULÁTOREGYSÉG KIVÉTELE

6. *ábra*

- Nyomja meg, és tartsa lenyomva a kioldógombot.
- Vegye ki az akkumulátoregységet a gépből.

## 4 ÜZEMELTETÉS

#### **i** FONTOS

A gép üzemeltetése előtt olvassa el és értse meg a biztonsági szabályokat és a kezelési utasításokat.

#### **▲** FIGYELMEZTETÉS

A gép működtetése közben legyen óvatos.

### 4.1 A GÉP ELINDÍTÁSA

*Ábra 7.*

- Nyomja meg a zár kioldó gombot, és húzza meg a triggeret.

### 4.2 A GÉP LEÁLLÍTÁSA

*Ábra 7.*

- A gép leállításához engedje el a triggeret.

### 4.3 TIPPEK A MŰKÖDTETÉSHEZ

*Ábra 8.*

#### **▲** FIGYELMEZTETÉS

Tartson távolságot a teste a gép között.

## ▲ FIGYELMEZTETÉS

Ne működtesse a gépet, ha a védőburkolat nincs a helyén.

**Fogadja meg ezeket a tippeket a gép használatában.**

- A gép legyen csatlakoztatva a megfelelően viselt szijhoz.
- Legyen erős tartása, ehhez a két keze legyen a gépen, miközben a gépet működteti.
- A magas fűvet fentről lefelé vágja.

**Ha fű tekeredik a fűkasza fej köré:**

- Vegye le az akkumulátoregységet.
- Távolítsa el a fűvet.

## 4.4 VÁGÓHEGYEK

Ábra 9.

- Döntse meg a gépet a nyírandó terület felé. Használja a vágószál végét a fű nyírásához.
- Mozgassa a gépet jobbról balra, nehogy szennyeződések repüljenek a kezelő felé.
- Ne nyírjon veszélyes területen.
- Ne erőltesse a fűkasza fejet vágatlan fűben.
- A vezetőek és palánkok miatt a vágószál elkopik és elszakad. A kő és téglafalak, járdaszegélyek és fa a vágószál gyors elhasználódását okozzák.

## 4.5 A VÁGÓSZÁL HOSSZÁNAK BEÁLLÍTÁSA

Ábra 10.

A gép működtetése közben a vágószál kopik és rövidül. Beállíthatja a vágószál hosszúságát.

1. Ősse a fűkasza fejet a talajhoz, miközben a gép működik.
2. A vágószál automatikusan kiold, és a vágópengé levágja a felesleges hosszúságot.

## 4.6 A VÁGÁS ÁTMÉRŐJÉNEK BEÁLLÍTÁSA

Ábra 11.

### i MEGJEGYZÉS

A gép 356 mm vágási átmérőre van beállítva. Beállíthatja egy 406 mm vágási átmérőre.

Állítsa be a vágás átmérőjét 356 mm hosszabb működési időre és 406 mm-nagyobb vágási területhez.

1. Vegye le az akkumulátoregységet.
2. Vegye le a penge csavarokat a vágópengéről.
3. Fordítsa el a vágópengét 180°-kal.

4. Húzza meg a csavarokat.

## 4.7 VÁGÓPENGE

Ábra 11.

A fűkasza vágópengével van felszerelve, amely a védőburkolaton található. A vágópengé folyamatosan nyírja a vágószálat az egyenletes és hatékony vágási átmérő érdekében. Ha úgy hallja, hogy a gép motorja a normálisnál gyorsabban kezd működni, vagy ha a vágási hatékonyság romlik, húzza ki még vágószálat. Ezzel a lépéssel fenntartja a legjobb teljesítményt, és a vágószál mindig elég hosszú marad a kiadagoláshoz.

## 5 KARBANTARTÁS

### i FONTOS

Olvassa el, és értse meg a biztonsági szabályokat és a gép karbantartási utasításait a gép tisztítása, javítása vagy karbantartása előtt.

### i FONTOS

Ellenőrizze, hogy minden anyák, alátétek és csavarok meg vannak-e húzva. Rendszeresen ellenőrizze, hogy a fogantyúk szorosan vannak-e felhelyezve.

### i FONTOS

Az eredeti gyártó cserealkatrészeit és tartozékait használja.

## 5.1 ÁLTALÁNOS INFORMÁCIÓK

### i FONTOS

Csak az értékesítő vagy a felhatalmazott szerviz központ végezhet olyan karbantartást, amely nem szerepel a jelen útmutatóban.

Karbantartási műveletek előtt:

- Állítsa le a gépet.
- Vegye le az akkumulátoregységet.
- Hűtse le a motort.
- A gépet hűvös és száraz helyen tárolja.
- Viseljen megfelelő ruházatot, védőkesztyűt és védőszemüveget.

## 5.2 A GÉP TISZTÍTÁSA

- Minden használat után tisztítsa meg a gépet egy nedves, semleges tisztítószerekkel mártott ruhával.
- Ne használjon agresszív tisztítószereket vagy oldószereket, pl. üveg tisztítót a műanyag alkatrészek vagy fogantyúk tisztításához.
- Tartsa a fűkasza fejet fűtől, levelektől vagy túlzott kenőanyagtól mentesen.

- A túlmelegedés és a motor károsodásának megelőzése érdekében tartsa tisztán és szennyeződésektől mentesen a szellőzőnyílásokat.
- Ne permetezzen vizet a motorra és az elektromos alkatrészekre.

## 5.3 AZ ORSÓ CSERÉJE

Ábra 12 - 20.

1. Egyszerre nyomja meg a füleket a fűkasza fej oldalain.
2. Húzza meg és távolítsa el az orsó burkolatot.
3. Távolítsa el a maradék orsót.
4. Helyezze az orsót az orsó burkolatba.

### i MEGJEGYZÉS

Ellenőrizze, hogy a vágószál az új orsó nyílásában van-e, és körülbelül 15 cm-rel ki van-e húzva, mielőtt behelyezi az új orsót.

5. Dugja át a vágószálak végeit a nyílásokon.
6. Hosszabbítsa meg a vágószálakat, hogy kiengedje az orsó védőburkolat nyílásán.
7. Helyezze be az orsót és az orsó burkolatot a fűkasza fejbe.
8. Addig tolja az orsó burkolatot, amíg a helyére nem kattan.

## 5.4 A VÁGÓSZÁL CSERÉJE

Ábra 14 - 16.

### i MEGJEGYZÉS

Távolítsa el a maradék vágószálakat az orsóról.

### i MEGJEGYZÉS

Csak nylon vágószálakat használjon 2 mm átmérővel.

1. Vágjon le egy körülbelül 3 m hosszú vágószálakat.
2. Hajlítsa be a vágószálakat középen, és akassza be a hurkot a nyílásba az orsó peremének közepén. Ellenőrizze, hogy a vágószál a helyére kattanjon a nyílásban.
3. Az ujjával a vágószálak között egyenletesen és szorosan tekerje fel az orsó köré a jelzett irányban.
4. Dugja a vágószálakat a védőburkolat nyílásaiba.
5. Ne tekerje a vágószálakat az orsó szélén túl.

## 5.5 A SÖVÉNYNÍRÓ FEJ ÖSSZESZERELÉSE

Ábra 21.

1. Helyezze a távtartót megfelelően a tengelyre.
2. Csatlakoztassa a belső gyűrűs anyát a belső sapkához a jelzett irányban.

3. Ellenőrizze, hogy a belső gyűrűs anya hornyai tökéletesen a szög állító hornyaihoz illeszkednek-e.
4. Helyezze a csavarkulcsot a meghatározott szög állító nyílásba.
5. Fordítsa el a fűkasza fejet, és addig tolja a csavarkulcsot, amíg a csavarkulcs a belső gyűrűs anya nyílásába nem rögzül a forgást blokkolva.
6. Szerelje fel a fűkasza fejet.
7. A meghúzáshoz fordítsa el a fűkasza fejet az óramutató járásával ellenkező irányba.
8. Vegye ki a csavarkulcsot.

### i FONTOS

Akkor kell behelyezni a vágópengét, amikor a fűkasza fejet használja.

## 5.6 A FŰKASZA FEJ LEVÉTELE

Ábra 21.

1. Helyezze a csavarkulcsot a meghatározott szög állító nyílásba.
2. Fordítsa el a fűkasza fejet, és addig tolja a csavarkulcsot, amíg a csavarkulcs a belső gyűrűs anya nyílásába nem rögzül a forgást blokkolva.
3. A kilazításhoz fordítsa el a fűkasza fejet az óramutató járásával megegyező irányba. Ne vegye le a távtartót a tengelyről.

## 5.7 A KIOLDÓ RÖGZÍTŐELEM CSERÉJE

Ábra 13.

1. Egyszerre nyomja meg a füleket a fűkasza fej oldalain.
2. Húzza meg és távolítsa el az orsó burkolatot.
3. Távolítsa el az orsót.
4. Fogja meg a rögzítőelemet, és feszítse ki egy fémpálcikával (nincs mellékelve).
5. Tegye az új kioldó rögzítőelemet az orsóházba.

## 5.8 A FŰKASZA ÖSSZESZERELÉSE

Ábra 22 - 23.

### ▲ FIGYELMEZTETÉS

Viseljen védőkesztyűt, és legyen óvatos az éles szélekkel.

### ▲ FIGYELMEZTETÉS

Helyezze fel a védőburkolatot a pengére.

1. Helyezze a távtartót megfelelően a tengelyre.
2. Csatlakoztassa a belső gyűrűs anyát a belső sapkához a jelzett irányban.



- Ellenőrizze, hogy a belső gyűrűs anya hornyai tökéletesen a szög állító hornyaihoz illeszkednek-e.
- Csatlakoztassa a pengét és a külső gyűrűs anyát, a lapos része nézzen a penge felé.
- Csatlakoztassa a külső sapkát az anya meghúzására nélkül.
- Helyezze a csavarkulcsot a meghatározott szög állító nyílásba.
- Fordítsa el a pengét, és addig tolja a csavarkulcsot, amíg a penge a belső gyűrűs anya nyílásába nem illeszkedik a forgást blokkolva.
- Húzza meg az anyát az óramutató járásával ellenkező irányba egy 19 mm-es vagy 3/4 in. csavarkulccsal (44/58 Nm).

## 5.9 A FÚKASZA LEVÉTELE

Ábra 22 - 23.

### ▲ FIGYELMEZTETÉS

Helyezze fel a védőburkolatot a pengére.

- Helyezze a csavarkulcsot a meghatározott szög állító nyílásba.
- Fordítsa el a pengét, és addig tolja a csavarkulcsot, amíg a csavarkulcs a belső gyűrűs anya nyílásába nem rögzül a forgást blokkolva.
- Lazítsa meg az anyát az óramutató járásával megegyező irányban, és vegye le a külső sapkát.
- Vegye le a külső gyűrűs anyát, a pengét, a belső sapkát és a belső gyűrűs anyát. Ne vegye le a távtartót a tengelyről.

## 6 SZÁLLÍTÁS ÉS TÁROLÁS

### 6.1 A GÉP SZÁLLÍTÁSA

A gép szállítása közben:

- Viseljen védőkesztyűt.
- Állítsa le a gépet.
- Az akkumulátoregység kivétele.
- Szerelje fel a pengevédőt.

### 6.2 A GÉP TÁROLÁSA

- Vegye ki az akkumulátoregységet a gépből, és töltsse fel.
- Ügyeljen rá, hogy gyermekek ne tudjanak a gép közelébe kerülni.
- A gépet tartsa távol maró hatású szerektől, például kerti vegyszerektől, és jégmentesítő sótól.
- Biztosítsa a gépet szállítás közben, hogy elkerülje a rongálódást és sérülést. Tisztítsa meg és vizsgálja át a gépet sérülések szempontjából.

## 7 HIBAELEHÁRÍTÁS

Probléma	Lehetséges ok	Megoldás
A gép nem indul el, amikor megnyomja a triggert.	Nincs elektromos kapcsolat a gép és az akkumulátoregység között.	1. Vegye ki az akkumulátoregységet. 2. Ellenőrizze az érintkezést, és helyezze vissza az akkumulátoregységet.
	Az akkumulátoregység lemerült.	Töltse fel az akkumulátoregységet.
	A zár kioldó gomb és a trigger nem egyszerre van megnyomva.	1. Húzza meg a zár kioldó gombot, és tartsa lenyomva. 2. A termék elindításához nyomja meg a kioldót.

Probléma	Lehetséges ok	Megoldás
A gép leáll nyírás közben.	A védőburkolat nincs csatlakoztatva a géphez.	Vegye ki az akkumulátoregységet, és csatlakoztassa a védőburkolatot a gépre.
	Nehéz vágószálat használ.	Csak 2 mm átmérőjű nylon vágószálat használjon.
	Fű tekeredett a motor tengelyre vagy a fűkasza fejre.	1. Állítsa le a gépet. 2. Vegye le az akkumulátoregységet. 3. Távolítsa el a fűvet a motor tengelyről és a fűkasza fejről.
	A motor túlterhelt	1. Távolítsa el a fűvet a fűkasza fejről. 2. A motor újra működőképes, ha a terhet eltávolítja. 3. Vágás közben a fűkasza fejet oda-vissza mozgassa a vágandó fűvön, és 8"-nél hosszabb fűvet ne vágjon egy vágással.
	Az akkumulátoregység vagy a gép túl forró.	1. Hűtse le az akkumulátoregységet, amíg vissza nem áll normál működésre. 2. Körülbelül 10 percig hűtse le a gépet.
	Az akkumulátoregység ki van véve a szerszámból.	Helyezze vissza az akkumulátoregységet.
A vágószál nem jön ki.	Az akkumulátoregység lemerült.	Töltse fel az akkumulátoregységet.
	A vágószálak összetapadtak.	Kenje be szilikon spray-vel.
	Nincs elég vágószál az orsón.	Helyezzen fel több vágószálat.
	A vágószálak túl rövidre koptak.	Húzzon ki még vágószálat.
A vágószál összegabalyodott az orsón.		1. Vegye ki a vágószálat az orsóból. 2. Tekerje fel a vágószálat.

Probléma	Lehetséges ok	Megoldás
A vágószál állandóan leáll.	A gépet nem megfelelően használja.	1. A vágószál végével vágjon, kerülje a követ, falakat és más kemény tárgyakat. 2. Rendszeresen húzzon ki még vágószálat a teljes vágószálesség megtartásához.
Fű tekeredett a fűkasza fejre és motorházra.	Magas fűvet talajhoz közel vágjon.	1. A magas fűvet fentről lefelé vágja. 2. A feltekeredés elkerülése érdekében ne húzzon ki 8" in-nél hosszabb szálat.
A vágószál nem vág rendszeren.	A vágópenge tompa lett.	Élezze meg a vágópengét reszelővel, vagy cserélje ki.
A vibráció nyilvánvalóan növekszik.	A vágószál elhasználódott az egyik oldalon, és nem hosszabbították meg időben.	Győződjön meg róla, hogy a vágószál mindkét oldalon egyenlő hosszúságú. Húzzon ki vágószálat.

## 8 MŰSZAKI ADATOK

Feszültség	40 V	
Üresjárat sebesség	6300 ±10% rpm (Fűkasza), 6800±10% rpm (Sövényvágó)	
Vágófej	Kioldó adagoló/sövényvágó penge	
Vágószál átmérője	2 mm	
Vágási út vonal átmérője	356/406 mm (Szegélynyíró) 254 mm (Sövényvágó pengét)	
Súly (akkumulátoregység nélkül)	4.5 kg	
Akkumulátor modell	G40B2/G40B25/G40B4 és egyéb BAF sorozatok	
Töltő modell	G40C és más CAF sorozat	
Szegélynyíró	Mért hangnyomásszint	$L_{pA}=78.4$ dB(A), $K_{pA}= 3$ dB(A)
	Garantált hangteljesítményszint	$L_{WA,d}= 96$ dB(A)
	Rezgés	$<2.5$ m/s <sup>2</sup> $k=1.5$ m/s <sup>2</sup>

Sövényvágó	Mért hangnyomásszint	$L_{PA}=82.8\text{dB(A)}$ , $K=3\text{ dB(A)}$
	Garantált hangteljesítményszint	$L_{WA,d}=101\text{ dB(A)}$
	Rezgés	$<2.5\text{ m/s}^2$ $k=1.5\text{ m/s}^2$

Gyártás éve: Lásd a termék típusabláját

- megfelel a gépekről szóló 2006/42/EK irányelv alapvető követelményeinek.
- megfelel a következő egyéb EU irányelvek követelményeinek:
  - 2014/30/EU
  - 2000/14/EK & 2005/88/EK
  - 2011/65/EU és (EU)2015/863



96 dB. Zaj érték. (Szegélynyíró)

101 dB. Zaj érték. (Sövényvágó pengét)

Továbbá kijelentjük, hogy a harmonizált szabványok következő részeit, szakaszait alkalmaztuk:

- EN 60335-1; EN 50636-2-91; EN 62233; EN 55014-1; EN 55014-2 ; EN ISO 3744; EN ISO 3744; ISO 11094; EN ISO 11806-1; IEC 62321-7-2; IEC 62321-4; IEC 62321-5; IEC 62321-6; IEC 62321-7-1; IEC 62321-8; IEC 62321-3-1.

Megfelelőségértékelési módszer a 2000/14/EK irányelv VI. melléklete szerint.

Fűkasza

Mért hangteljesítményszint:  $L_{WA} : 93.3\text{ dB(A)}$

Garantált hangteljesítményszint:  $L_{WA,d} : 96\text{ dB(A)}$

Sövényvágó

Mért hangteljesítményszint:  $L_{WA} : 97.3\text{dB(A)}$

Garantált hangteljesítményszint:  $L_{WA,d} : 101\text{dB(A)}$

Hely, dátum: Aláírás: Ted Qu, minőségbiztosítási vezető

Malmö, 7.28.2021

Ted Qu

## 9 JÓTÁLLÁS

(A jótállási feltételek megtalálhatóak a Greenworks weboldalon [www.greenworkstools.eu](http://www.greenworkstools.eu))

A Greenworks Jótállás a termékre 3 év, míg az akkumulátorokra 2 év (fogyasztói/otthoni használat) a vásárlás időpontjától számítva. Ez a jótállás kiterjed a gyártási hibákra. A jótállás hatálya alá eső hibás termék javítható vagy cserélhető. A helytelenül vagy nem a kezelői kézikönyvben leírtak szerint használt egység elveszítheti a jótállását. A normál kopás és kopóalkatrészek nem képezik a jótállás tárgyát. Az eredeti gyártói jótállást nem befolyásolja egy esetleges kereskedői vagy viszonteladói extra jótállás.

A jótállási követelés benyújtásához a hibás terméket a vásárlást igazoló szelvényvel együtt (nyugta) vissza kell vinni a vásárlás helyére.

## 10 EK MEGFELELŐSÉGI NYILATKOZAT

A gyártó neve és címe:

Név: GLOBGRO AB  
Globe Group Europe

Cím: Riggaregatan 53, 211 13 Malmö, Svédország

A műszaki fájl szerkesztésére felhatalmazott személy neve és címe:

Név: Micael Johansson

Cím: Riggaregatan 53, 211 13 Malmö, Svédország

Ezennel kijelentjük, hogy a termék

Kategória: Fűkasza/sövényvágó

Modell: 2105707(STF457)

Sorozatszám: Lásd a termék típusabláját

<b>1</b>	<b>Descriere.....</b>	<b>147</b>	<b>5</b>	<b>Întreținere.....</b>	<b>149</b>
1.1	Scop.....	147	5.1	Informații generale.....	149
1.2	Prezentare generală.....	147	5.2	Curățarea mașinii .....	149
<b>2</b>	<b>Siguranță.....</b>	<b>147</b>	5.3	Înlocuirea bobinei.....	150
<b>3</b>	<b>Instalare.....</b>	<b>147</b>	5.4	Înlocuirea firului de tăiere.....	150
3.1	Dezambalarea mașinii.....	147	5.5	Asamblarea capului de tăiere a ierbii.....	150
3.2	Fixarea apărătorii.....	147	5.6	Scoaterea capului de tăiere a ierbii.....	150
3.3	Asamblarea tijei.....	148	5.7	Înlocuirea butonului de derulare a firului	150
3.4	Fixarea mânerului auxiliar.....	148	5.8	Asamblarea coasei pentru iarbă.....	150
3.5	Utilizarea curelei de umăr.....	148	5.9	Scoaterea coasei pentru iarbă.....	151
3.6	Instalarea setului de acumulatori.....	148	<b>6</b>	<b>Transport și depozitare.....</b>	<b>151</b>
3.7	Scoaterea setului de acumulatori.....	148	6.1	Deplasarea mașinii.....	151
<b>4</b>	<b>Funcționare.....</b>	<b>148</b>	6.2	Depozitarea mașinii.....	151
4.1	Porniți mașina.....	148	<b>7</b>	<b>Depanare.....</b>	<b>151</b>
4.2	Oprirea mașinii.....	148	<b>8</b>	<b>Date tehnice.....</b>	<b>152</b>
4.3	Recomandări privind funcționarea.....	148	<b>9</b>	<b>Garanție.....</b>	<b>153</b>
4.4	Recomandări de tăiere.....	149	<b>10</b>	<b>Declarație de conformitate</b>	
4.5	Reglarea lungimii firului de tăiere.....	149		<b>CE.....</b>	<b>153</b>
4.6	Reglarea diametrului de tăiere.....	149			
4.7	Cutterul de fir.....	149			

## 1 DESCRIERE

### 1.1 SCOP

Această mașină se utilizează pentru a tăia iarbă, buruieni ușoare și altă vegetație similară de la nivelul solului. Planul de tăiere trebuie să fie aproximativ paralel cu suprafața solului. Nu puteți folosi mașina pentru a tăia sau a mărunți tufe, arbuști, tufișuri, flori și compost.

### 1.2 PREZENTARE GENERALĂ

Figura 1 - 23.

- 1 Trăgaci
- 2 Buton de blocare
- 3 Tijă superioară
- 4 Mâner auxiliar
- 5 Tijă inferioară
- 6 Apărătoare
- 7 Lamă de tăiere
- 8 Cap de tăiere a ierbii
- 9 Capac apărătoare
- 10 Lamă
- 11 Buton de detașare
- 12 Gaură de poziționare
- 13 Cheie hexagonală
- 14 Buton central
- 15 Capac
- 16 Suport inferior
- 17 Apărătoare bobină
- 18 Bobină
- 19 Clapă
- 20 Gaură pentru fir
- 21 Cheie
- 22 Piuliță
- 23 Capac exterior
- 24 Piuliță exterioară
- 25 Capac interior
- 26 Gaură unghi de transmisie
- 27 Buton de derulare fir
- A Sens de rotație
- B Zonă de tăiere optimă
- C Zonă de tăiere periculoasă

## 2 SIGURANȚĂ

### ▲ AVERTISMENT

Asigurați-vă că respectați toate instrucțiunile de siguranță.

Consultați Manualul de siguranță.

## 3 INSTALARE

### ▲ AVERTISMENT

Scoateți setul de acumulatori din mașină înainte de instalare.

### ▲ AVERTISMENT

Nu utilizați accesorii care nu sunt recomandate pentru această mașină.

### 3.1 DEZAMBALAREA MAȘINII

#### ▲ AVERTISMENT

Asigurați-vă că ați asamblat corect mașina înainte de utilizare.

#### ▲ AVERTISMENT

- Dacă mașina comportă piese deteriorate, nu utilizați mașina.
- Dacă lipsesc piese, nu utilizați mașina.
- Dacă există piese deteriorate sau lipsă, contactați centrul de service.

1. Deschideți ambalajul.
2. Citiți documentația furnizată în cutie.
3. Scoateți toate piesele neasamblate din cutie.
4. Scoateți mașina din cutie.
5. Eliminați cutia și materialele ambalajului în conformitate cu reglementările locale.

#### ▲ AVERTISMENT

Pentru siguranța dumneavoastră, nu introduceți bateria înainte de a asambla complet scula.

### 3.2 FIXAREA APĂRĂTORII

Figura 2.

#### ▲ AVERTISMENT

Nu atingeți lama de tăiere a firului.

1. Scoateți șuruburile de pe capul de tăiere a ierbii cu o șurubelniță Phillips (nu este furnizată).
2. Amplasați apărătoarea pe capul de tăiere a ierbii.
3. Aliniați găurile pentru șuruburi de pe apărătoare cu găurile pentru șuruburi de pe capul de tăiere a ierbii.
4. Strângeți șuruburile.
5. Puneți capacul de protecție pe apărătoare.
6. Aliniați găurile pentru șuruburi de pe capacul de protecție cu găurile pentru șuruburi de pe apărătoare.
7. Strângeți șuruburile.

## 3.3 ASAMBLAREA TIJEI

Figura 3.

1. Slăbiți șurubul de pe cuplor.
2. Împingeți butonul de eliberare de pe tija inferioară.
3. Aliniați butonul de eliberare cu orificiul de poziționare și culisați cele două tije.
4. Rotiți tija inferioară până la anclanșarea butonului în orificiul de poziționare.

### i NOTĂ

Butonul de eliberare trebuie fixat în orificiul de poziționare. Utilizarea orificiului greșit poate duce la rănire, sau la avarierea unității.

5. Strângeți șurubul cu ajutorul cheii hexagonale.

## 3.4 FIXAREA MÂNERULUI AUXILIAR

Figura 4.

1. Desfaceți butonul central.
2. Îndepărtați capacul și suportul inferior.

### i NOTĂ

Nu ratați arcul din suport.

3. Puneți mânerul auxiliar în suportul inferior.
4. Puneți capacul pe suportul inferior.
5. Puneți întregul bloc în carcasa acestuia pe ax.
6. Reglați mânerul auxiliar în poziția confortabilă.
7. Blocați mânerul auxiliar cu butonul central.

## 3.5 UTILIZAREA CURELEI DE UMĂR

Figura 5.

1. Atașați carabina de inelul de transport de pe tijă.
2. Puneți pe umăr cureaua de umăr.
3. Reglați lungimea curelei astfel încât carabina să fie la o distanță de aproximativ o lățime de palmă sub șoldul drept.

## 3.6 INSTALAREA SETULUI DE ACUMULATORI

Figura 6.

### ▲ AVERTISMENT

- Dacă setul de acumulatori sau încărcătorul este deteriorat, înlocuiți setul de acumulatori sau încărcătorul.
- Opriți mașina și așteptați până când motorul se oprește înainte de a instala sau a scoate setul de acumulatori.
- Citiți, cunoașteți și urmați instrucțiunile din manualul setului de acumulatori și al încărcătorului.

1. Aliniați nervurile de ridicare ale setului de acumulatori cu canelurile din compartimentul setului de acumulatori.
2. Împingeți setul de acumulatori în compartimentul acestuia până când setul de acumulatori se blochează în poziție.
3. Când auziți un clic, setul de acumulatori este instalat.

## 3.7 SCOATEREA SETULUI DE ACUMULATORI

Figura 6.

1. Apăsați și mențineți apăsat butonul de eliberare a setului de acumulatori.
2. Scoateți setul de acumulatori din mașină.

## 4 FUNCȚIONARE

### i IMPORTANT

Înainte de a pune mașina în funcțiune, citiți și înțelegeți instrucțiunile de siguranță și instrucțiunile de utilizare.

### ▲ AVERTISMENT

Aveți grijă când porniți mașina.

## 4.1 PORNIȚI MAȘINA

Figura 7.

1. Apăsați pe butonul de blocare și trageți declanșatorul.

## 4.2 OPRIREA MAȘINII

Figura 7.

1. Eliberați declanșatorul pentru a opri mașina.

## 4.3 RECOMANDĂRI PRIVIND FUNCȚIONAREA

Figura 8.

### ▲ AVERTISMENT

Mențineți liber spațiul dintre corp și mașină.

### ▲ AVERTISMENT

Nu utilizați mașina fără apărătoare pe poziție.

**Folosiți aceste sfaturi atunci când utilizați mașina.**

- Mențineți mașina corect asamblată în hamul de purtat.
- Mențineți o strângere fermă cu ambele mâini pe mașină în timpul funcționării mașinii.

- Tăiați iarba înaltă de la vârful spre rădăcină.

**Dacă iarba se înfășoară în jurul capului de tăiere a ierbii:**

- Îndepărtați setul de acumulatori.
- Îndepărtați iarba.

## 4.4 RECOMANDĂRI DE TĂIERE

Figura 9.

- Înclinați mașina spre zona de tăiere a ierbii. Utilizați vârful firului de tăiere pentru a tăia iarba.
- Deplasați mașina de la dreapta la stânga pentru a preveni aruncarea resturilor spre operator.
- Nu tăiați iarba în zona periculoasă.
- Nu forțați capul de tăiere a ierbii în iarba netăiată.
- Gardurile cu sârmă și stâlpi provoacă uzura suplimentară a firului de tăiere și chiar ruperea acestuia. Zidurile din cărămidă și piatră, bordurile și lemnul pot uza rapid firul de tăiere.

## 4.5 REGLAREA LUNGIMII FIRULUI DE TĂIERE

Figura 10.

În timpul funcționării mașinii, firul de tăiere se uzează și devine mai scurt. Puteți regla lungimea firului de tăiere.

1. Loviți capul de tăiere a ierbii de sol în timp ce mașina funcționează.
2. Firul se eliberează automat, iar lama de tăiere a firului taie lungimea de fir excesivă.

## 4.6 REGLAREA DIAMETRULUI DE TĂIERE

Figura 11.

### i NOTĂ

Mașina este configurată la un 356 mm diametru de tăiere. Puteți să o reglați la un 406 mm diametru de tăiere.

Setați diametrul de tăiere la 356 mm pentru o durată optimă de execuție și 406 mm pentru o zonă de tăiere mai mare.

1. Îndepărtați setul de acumulatori.
2. Scoateți șuruburile de pe lama de tăiere a firului.
3. Rotiți lama de tăiere a firului la 180°.
4. Strângeți șuruburile lamei.

## 4.7 CUTTERUL DE FIR

Figura 11.

Acest trimmer este echipat cu un cutter de fir situat pe apărătoare. Cutterul de fir ajustează continuu firul

pentru a-i asigura un diametru constant și eficient. Derulați firul de fiecare dată când auziți motorul funcționând mai rapid decât normal, sau când eficiența tunderii se micșorează. Acest lucru va menține cele mai bune rezultate și va păstra firul suficient de lung pentru a avansa corect.

## 5 ÎNTREȚINERE

### i IMPORTANT

Citiți și înțelegeți instrucțiunile de siguranță și instrucțiunile de întreținere înainte de curățarea, repararea sau efectuarea lucrărilor de întreținere a mașinii.

### i IMPORTANT

Verificați strângerea adecvată a pulițelor, bolțurilor și șuruburilor. Examinați periodic că mânerele sunt strânse bine.

### i IMPORTANT

Utilizați numai piesele de schimb și accesoriile producătorului inițial.

## 5.1 INFORMAȚII GENERALE

### i IMPORTANT

Numai distribuitorul sau centrul de service autorizat pot face întreținerea care nu este inclusă în acest manual.

Înainte de operațiunile de întreținere:

- Opriți mașina.
- Îndepărtați setul de acumulatori.
- Lăsați motorul să se răcească.
- Depozitați mașina într-un loc uscat și răcoros.
- Utilizați îmbrăcăminte adecvată, mănuși de protecție și ochelari de protecție.

## 5.2 CURĂȚAREA MAȘINII

- Curățați mașina după fiecare utilizare cu o cârpă umedă înmuiată în detergent neutru.
- Nu utilizați detergenți sau solvenți agresivi precum produsele de curățat geamurile pentru curățarea pieselor sau a mânerelor din plastic.
- Nu permiteți pătrunderea ierbii, a frunzelor sau a excesului de lubrifianți în capul de tăiere a ierbii.
- Mențineți orificiile de ventilație curate și fără resturi, pentru a evita supraîncălzirea și deteriorarea motorului.
- Nu pulverizați apă pe motor și pe componentele electrice.

## 5.3 ÎNLOCUIREA BOBINEI

Figura 12 - 20.

1. Împingeți simultan lamele laterale ale capului de tăiere a ierbii.
2. Trageți și scoateți capacul bobinei.
3. Îndepărtați bobina rămasă.
4. Puneți bobina în capacul bobinei.

### i NOTĂ

Asigurați-vă că firul de tăiere se află în fanta de pe noua bobină și este extins cu aproximativ 15 cm înainte de a instala noua bobină.

5. Puneți capetele firului de tăiere prin găuri.
6. Extindeți firul de tăiere pentru a-l elibera din fanta de ghidare din bobină.
7. Montați bobina și capacul bobinei pe capul de tăiere a ierbii.
8. Împingeți capacul bobinei până când se fixează în poziție.

## 5.4 ÎNLOCUIREA FIRULUI DE TĂIERE

Figura 14 - 16.

### i NOTĂ

Îndepărtați firul de tăiere rămas pe bobină.

### i NOTĂ

Utilizați numai fir de tăiere de nailon de același 2 mm diametru.

1. Tăiați o bucată cu lungimea de aproximativ 3 m din firul de tăiere.
2. Îndoiiți firul de la mijloc și agățați bucla în fanta din marginea centrală a bobinei. Asigurați-vă că firul se fixează în poziție în fantă.
3. Cu degetul între fire, înfășurați firele în mod egal și strâns în jurul bobinei în direcția indicată.
4. Puneți firele în fantele de ghidare.
5. Nu înfășurați firele peste marginea bobinei.

## 5.5 AȘAMBLAREA CAPULUI DE TĂIERE A IERBII

Figura 21.

1. Puneți distanțierul în mod corect pe ax.
2. Atașați piulița interioară de capacul interior în direcția indicată.
3. Asigurați-vă că canelurile piuliței interioare se aliniază perfect cu cele ale transmisiei unghiulare.
4. Puneți cheia în gaura de transmisie unghiulară specificată.

5. Rotiți capul de tăiere a ierbii și împingeți cheia până când cheia fixează orificiul piuliței interioare, blocând rotația.
6. Asamblați capul de tăiere a ierbii.
7. Rotiți capul de tăiere a ierbii în sens invers acelor de ceasornic pentru a-l strânge.
8. Îndepărtați cheia.

### i IMPORTANT

Trebuie să instalați lama de tăiere a firului când folosiți capul de tăiere a ierbii.

## 5.6 SCOATEREA CAPULUI DE TĂIERE A IERBII

Figura 21.

1. Puneți cheia în gaura de transmisie unghiulară specificată.
2. Rotiți capul de tăiere a ierbii și împingeți cheia până când cheia fixează orificiul piuliței interioare, blocând rotația.
3. Rotiți capul de tăiere a ierbii în sensul acelor de ceasornic pentru a-l desface. Nu îndepărtați distanțierul de pe ax.

## 5.7 ÎNLOCUIREA BUTONULUI DE DERULARE A FIRULUI

Figura 13.

1. Împingeți simultan clapele laterale ale capului de tăiere a ierbii.
2. Trageți și scoateți capacul bobinei.
3. Îndepărtați bobina.
4. Apucați de butonul de derulare și extrageți-l cu o tijă metalică (neinclusă).
5. Introduceți o bobină nouă în carcasa bobinei.

## 5.8 AȘAMBLAREA COASEI PENTRU IARBĂ

Figura 22 - 23.

### ▲ AVERTISMENT

Purtați mănuși și fiți atent la marginile ascuțite.

### ▲ AVERTISMENT

Aplicați apărătoarea pe lamă.

1. Puneți distanțierul în mod corect pe ax.
2. Atașați piulița interioară de capacul interior în direcția indicată.
3. Asigurați-vă că canelurile piuliței interioare se aliniază perfect cu cele ale transmisiei unghiulare.



4. Atașați lama și piulița exterioră cu partea plană îndreptată spre lamă.
5. Atașați capacul exterior fără a strânge piulița.
6. Puneți cheia în gaura de transmisie unghiulară specificată.
7. Rotiți lama și împingeți cheia până când lama se potrivește în orificiul piuliței interioare, blocând rotația.
8. Strângeți piulița în sens invers acelor de ceasornic cu o cheie de 19 mm sau 3/4 inch (44/58 Nm).

## 5.9 SCOATEREA COASEI PENTRU IARBĂ

Figura 22 - 23.

### ▲ AVERTISMENT

Aplicați apărătoarea pe lamă.

1. Puneți cheia în gaura de transmisie unghiulară specificată.
2. Rotiți lama și împingeți cheia până când cheia fixează orificiul piuliței interioare, blocând rotația.
3. Desfaceți piulița în sensul acelor de ceasornic și scoateți capacul exterior.
4. Scoateți piulița exterioră, lama, capacul interior și piulița interioară. Nu îndepărtați distanțierul de pe ax.

## 6 TRANSPORT ȘI DEPOZITARE

### 6.1 DEPLASAREA MAȘINII

Când deplasați mașina, trebuie:

- Să purtați mănuși.
- Să opriți mașina.
- Scoaterea setului de acumulatori.
- Să asamblați apărătoarea lamei.

### 6.2 DEPOZITAREA MAȘINII

- Scoateți setul de acumulatori din mașină și încărcați-l.
- Asigurați-vă că este într-o zonă inaccesibilă copiilor.
- Țineți mașina la distanță de agenți corozivi, precum substanțele chimice de grădină și sărurile de dezghețare.
- Securizați mașina în timpul transportului, pentru a preveni deteriorarea sau vătămarea. Curățați și examinați mașina pentru depistarea defecțiunilor.

## 7 DEPANARE

Problemă	Cauză posibilă	Soluție
Mașina nu pornește când apăsați pe declanșator.	Nu există contact electric între mașină și acumulator.	1. Îndepărtați setul de acumulatori. 2. Verificați contactul și instalați la loc setul de acumulatori.
	Setul de acumulatori este epuizat.	Încărcați setul de acumulatori.
	Butonul de blocare și declanșatorul nu sunt apăsați în același timp.	1. Trageți de butonul de blocare și țineți-l tras. 2. Trageți de declanșator pentru a porni mașina.

Problemă	Cauză posibilă	Soluție
Mașina se oprește când tăiați iarba.	Apărătoarea nu este atașată la mașină.	Scoateți setul de acumulatori și atașați apărătoarea la mașină.
	Se utilizează un fir de tăiere puternic.	Utilizați numai fir de tăiere de nailon de același 2 mm diametru.
	Iarba se înfășoară în jurul arborelui motorului sau al capului de tăiere a ierbii.	1. Opriti mașina. 2. Îndepărtați setul de acumulatori. 3. Îndepărtați iarba de pe arborele motorului și de pe capul de tăiere a ierbii.
	Motorul este supraîncărcat.	1. Scoateți capul de tăiere a ierbii din iarba. 2. Motorul își va reveni la funcționare imediat ce sarcina este îndepărtată. 3. Când tăiați, deplasați capul de tăiere a ierbii în iarba care urmează a fi tăiată și tăiați maximum 8" la o trecere.
	Setul de acumulatori sau mașina sunt prea fierbinți.	1. Răciți setul de acumulatori până când funcția acestuia revine la normal. 2. Răciți mașina timp de aproximativ 10 minute.
	Setul de acumulatori este deconectat de la sculă.	Instalați din nou setul de acumulatori.
	Setul de acumulatori este epuizat.	Încărcați setul de acumulatori.

Problemă	Cauză posibilă	Soluție
Firul nu înaintează.	Firele sunt lipite unele de altele.	Lubrifiați cu spray cu silicon.
	Nu există destul fir pe bobină.	Instalați fir mai lung.
	Firul este prea scurt.	Dați un avans firului de tăiere.
	Firul este încurcat pe bobină.	1. Scoateți firul de pe bobină. 2. Înfășurați firul.
Firul continuă să se rupă.	Mașina este utilizată incorect.	1. Tăiați cu vârful firului, evitați pietrele, pereții și alte obiecte dure. 2. Dați un avans în mod regulat firului de tăiere pentru a menține lățimea completă de tăiere.
Iarba se înfășoară în jurul capului de tăiere a ierbii și a carcasei motorului.	Tăiați iarba înaltă la nivelul soluului.	1. Tăiați iarba înaltă de la vârf spre rădăcină. 2. Îndepărtați până la 8" la fiecare trecere pentru a preveni înfășurarea.
Firul nu taie bine.	Lama de tăiere a firului se tocește.	Ascuțiți lama de tăiere a firului cu o pilă sau înlocuiți-o.
Crește evident nivelul vibrațiilor.	Firul este uzat pe o parte și nu avansează în timp.	Asigurați-vă că firul din ambele părți este egal. Dați avans firului de tăiere.

## 8 DATE TEHNICE

Tensiune	40 V
Turație de mers în gol	6300 ±10%rpm (Trimmer cu fir), 6800±10%rpm (Trimmer pentru tușiuri)
Cap de tăiere	Derulare prin lovire / Lama trimmerului pentru tușiuri
Diametrul firului de tăiere	2 mm
Diametrul căii de tăiere	356/406mm (Trimmer cu fir), 254mm (Trimmer pentru tușiuri)
Greutate (fără setul de acumulatori)	4.5 kg

Model de acumulator	G40B2/G40B25/G40B4 și alte game BAF	
Model de încărcător	G40C și alte game CAF	
Trimmer cu fir	Nivel de presiune sonoră măsurat	$L_{PA}=78.4 \text{ dB(A)}$ , $K_{PA}= 3 \text{ dB(A)}$
	Nivel de putere acustică garantat	$L_{WA,d}=96 \text{ dB(A)}$
	Vibrații	$<2.5 \text{ m/s}^2$ , $k=1.5 \text{ m/s}^2$
Trimmer pentru tușișuri	Nivel de presiune sonoră măsurat	$L_{PA}=82.8 \text{ dB(A)}$ , $K=3 \text{ dB(A)}$
	Nivel de putere acustică garantat	$L_{WA,d}=101 \text{ dB(A)}$
	Vibrații	$<2.5 \text{ m/s}^2$ , $k=1.5 \text{ m/s}^2$



96 dB. Valoarea zgomotului. (Trimmer cu fir)

101 dB. Valoarea zgomotului. (Trimmer pentru tușișuri)

## 9 GARANȚIE

(Lista completă a termenilor și condițiilor garanției poate fi consultată Greenworks pe website [www.greenworkstools.eu](http://www.greenworkstools.eu))

Garanția Greenworks este de 3 ani pentru produs și de 2 ani pentru baterii (consumat/uz personal) începând de la data cumpărării. Această garanție acoperă toate defectele de fabricație. Un produs defect aflat sub garanție poate fi reparat sau înlocuit. Unei unități utilizate greșit sau utilizate în alte moduri decât cele descrise în manualul de instrucțiuni se poate respinge garanția. Gradul de uzură și părțile uzate nu sunt acoperite de garanție. Garanția originală oferită de către fabricant nu este afectată de către nicio garanție suplimentară oferită de furnizor sau de magazin.

Un produs defect trebuie predat punctului de vânzare pentru a solicita aplicarea garanției, împreună cu dovada achiziției (chitanță).

## 10 DECLARAȚIE DE CONFORMITATE CE

Numele și adresa producătorului:

Numele: GLOBGRO AB  
Globe Group Europe

Adresa: Riggaregatan 53, 211 13 Malmö, Suedia

Numele și adresa persoanei autorizate să compileze dosarul tehnic:

Numele: Micael Johansson  
Adresa: Riggaregatan 53, 211 13 Malmö, Suedia

Prin prezenta, declarăm că produsul

Categorie: Trimmer cu fir / Trimmer pentru tușișuri  
Model: 2105707(STF457)  
Număr de serie: A se vedea eticheta cu caracteristici tehnice  
Anul fabricației: A se vedea eticheta cu caracteristici tehnice

- este în conformitate cu prevederile relevante ale Directivei 2006/42/CE privind mașinile.
- este în conformitate cu prevederile următoarelor directive ale CE:
  - 2014/30/UE
  - 2000/14/CE & 2005/88/CE
  - 2011/65/UE & (UE)2015/863

În plus, declarăm că au fost utilizate următoarele (părți/clauze) ale standardelor armonizate:

- EN 60335-1; EN 50636-2-91; EN 62233; EN 55014-1; EN 55014-2 ; EN ISO 3744; EN ISO 3744; ISO 11094; EN ISO 11806-1; IEC 62321-7-2; IEC 62321-4; IEC 62321-5; IEC 62321-6; IEC 62321-7-1; IEC 62321-8; IEC 62321-3-1.

Metoda de evaluare a conformității la Anexa VI / Directiva 2000/14/CE.

Trimmer cu fir

Nivel de putere acustică măsurat:  $L_{WA} : 93.3 \text{ dB(A)}$

Nivel de putere acustică garantat:  $L_{WA,d} : 96 \text{ dB(A)}$

Trimmer pentru tușișuri

Nivel de putere acustică măsurat:  $L_{WA} : 97.3 \text{ dB(A)}$

Nivel de putere acustică garantat:  $L_{WA,d} : 101 \text{ dB(A)}$

Locul, data: Semnătura: Ted Qu, Director Calitate

Malmö, 7.28.2021

Ted Au

<b>1</b>	<b>Описание.....</b>	<b>156</b>	4.7	Нож за отрязване на кордата.....	158
1.1	Цел.....	156	<b>5</b>	<b>Поддръжка.....</b>	<b>158</b>
1.2	Преглед.....	156	5.1	Обща информация.....	158
<b>2</b>	<b>Безопасност.....</b>	<b>156</b>	5.2	Почистване на машината.....	159
<b>3</b>	<b>Монтаж.....</b>	<b>156</b>	5.3	Подмяна на макарата.....	159
3.1	Разопаковане на машината.....	156	5.4	Подмяна на режещата корда.....	159
3.2	Монтаж на предпазителя.....	156	5.5	Сглобяване на главата на тримера.....	159
3.3	Монтаж на пръта.....	157	5.6	Изваждане на главата на тримера.....	159
3.4	Закрепване на спомагателната ръкохватка.....	157	5.7	Смяна на бутона за отпускане на корда.....	160
3.5	Употреба на ремъка за рамо.....	157	5.8	Сглобяване на хростореза.....	160
3.6	Монтиране на акумулаторната батерия.....	157	5.9	Отстраняване на хростореза.....	160
3.7	Снемете акумулаторната батерия.....	157	<b>6</b>	<b>Транспорт и съхранение.....</b>	<b>160</b>
<b>4</b>	<b>Работа.....</b>	<b>157</b>	6.1	Преместете машината.....	160
4.1	Стартиране на машината.....	157	6.2	Съхранение на машината.....	160
4.2	Спиране на машината.....	157	<b>7</b>	<b>Отстраняване на неизправности.....</b>	<b>160</b>
4.3	Съвети за работа.....	158	<b>8</b>	<b>Технически данни.....</b>	<b>161</b>
4.4	Съвети за рязане.....	158	<b>9</b>	<b>Гаранция.....</b>	<b>162</b>
4.5	Настройване на дължината на режещата корда.....	158	<b>10</b>	<b>Декларация за съответствие на ЕО.....</b>	<b>162</b>
4.6	Настройка на диаметъра на рязане.....	158			

## 1 ОПИСАНИЕ

### 1.1 ЦЕЛ

Тази машина се използва за рязане на трева, малки плевели и друга подобна растителност при или около земното ниво. Режещата равнина трябва да бъдат приблизително успоредна на земята. Не може да използвате машината за рязане или сеч на плет, шубраци, храсти, цветя и компост.

### 1.2 ПРЕГЛЕД

Фигура 1 - 23.

- 1 Спусък
- 2 Бутон за заключване
- 3 Горен прът
- 4 Спомагателна ръкохватка
- 5 Долен прът
- 6 Предпазител
- 7 Краен нож
- 8 Глава на тримера
- 9 Предпазна капачка
- 10 Нож
- 11 Бутон за освобождаване
- 12 Отвор за позициониране
- 13 Ключ шестограм
- 14 Централен винт
- 15 Капачка
- 16 Долна опора
- 17 Капак на макарата
- 18 Макара
- 19 Ухо
- 20 Изходящ отвор за кордата
- 21 Гаечен ключ
- 22 Гайка
- 23 Външна чаша
- 24 Външна пръстен гайка
- 25 Вътрешна чаша
- 26 Ъглов предавателен отвор
- 27 Бутон за отпускане на корда
- A Посока на въртене
- B Най-добра зона за рязане
- C Опасна зона за рязане

## 2 БЕЗОПАСНОСТ

### ▲ ПРЕДУПРЕЖДЕНИЕ

Уверете се, че следвате всички инструкции за безопасност.

Обърнете се към ръководството за безопасност.

## 3 МОНТАЖ

### ▲ ПРЕДУПРЕЖДЕНИЕ

Снемете акумулаторната батерия от машината преди монтиране.

### ▲ ПРЕДУПРЕЖДЕНИЕ

Не използвайте аксесоари, които не се препоръчват с тази машина.

### 3.1 РАЗОПАКОВАНЕ НА МАШИНАТА

#### ▲ ПРЕДУПРЕЖДЕНИЕ

Уверете се, че сте сглобили машината по подходящ начин преди употреба.

#### ▲ ПРЕДУПРЕЖДЕНИЕ

- Ако части от машината са повредени, не използвайте машината.
- Ако липсват части, не работете с машината.
- Ако части са повредени или липсват, свържете се със сервисния център.

1. Отворете опаковката.
2. Прочетете документацията предоставена в кутията.
3. Извадете всички части, които не са сглобени, от кутията.
4. Извадете машината от кутията.
5. Изхвърлете кутията и опаковъчния материал в съответствие с местните регулации.

#### ▲ ПРЕДУПРЕЖДЕНИЕ

За Вашата лична безопасост, не поставяйте батерията, преди инструментът да е сглобен напълно.

### 3.2 МОНТАЖ НА ПРЕДПАЗИТЕЛЯ

Фигура 2.

#### ▲ ПРЕДУПРЕЖДЕНИЕ

Не докосвайте крайния нож.

1. Извадете винтовете от главата на тримера с кръстата отвертка (не е предоставена).
2. Поставете предпазителя в главата на тримера.
3. Подравнете отворите за винтовете на предпазителя с отворите на главата на тримера.
4. Затегнете винтовете.
5. Поставете предпазната капачка в предпазителя.

6. Подравнете отворите за винтовете на предпазната капачка с отворите на предпазителя.
7. Затегнете винтовете.

### 3.3 МОНТАЖ НА ПРЪТА

Фигура 3.

1. Отвинтете винта на съединителя.
2. Натиснете бутона за освобождаване на долния вал.
3. Подравнете бутона за освобождаване с отвора за позициониране и плъзнете двата вала.
4. Завъртете долния вал, докато бутонът се фиксира в отвора за позициониране.

#### **i** БЕЛЕЖКА

Бутонът за освобождаване трябва да е фиксиран в отвора за позициониране. Употребата на грешен отвор може да доведе до нараняване на хора или до повреда на устройството.

5. Затегнете винта с ключ шестограм.

### 3.4 ЗАКРЕПВАНЕ НА СПОМАГАТЕЛНАТА РЪКОХВАТКА

Фигура 4.

1. Разхлабете централния винт.
2. Извадете капачката и долната опора.

#### **i** БЕЛЕЖКА

Не пропускайте пружината в опората.

3. Поставете спомагателната ръкохватка в долната опора.
4. Поставете капачката към долната опора.
5. Поставете целия блок в неговия корпус на щангата.
6. Настройте спомагателната ръкохватка в удобна позиция.
7. Заклучете спомагателната ръкохватка с централния винт.

### 3.5 УПОТРЕБА НА РЕМЪКА ЗА РАМО

Фигура 5.

1. Закрепете карабинката към носещия пръстен на пръта.
2. Поставете ремъка за рамо.
3. Регулирайте дължината на ремъка, така че карабинката да бъде на ширината на ръката под дясното Ви бедро.

### 3.6 МОНТИРАНЕ НА АКУМУЛАТОРНАТА БАТЕРИЯ

Фигура 6.

#### **▲** ПРЕДУПРЕЖДЕНИЕ

- Ако акумулаторната батерия или зарядното устройство са повредени, подменете акумулаторната батерия или зарядното устройство.
- Спрете машината и изчакайте, докато двигателят не спре преди монтиране или снемане на акумулаторната батерия.
- Прочетете, запознайте се и спазвайте инструкциите в ръководството и на акумулатора и зарядното устройство.

1. Подравнете ребрата за повдигане на акумулаторната батерия с жлебовете в отделението на акумулатора.
2. Натиснете акумулаторната батерия в отделението на акумулатора, докато акумулаторната батерия не се заключи в мястото.
3. Когато чуете щракване, акумулаторната батерия е монтирана.

### 3.7 СНЕТЕТЕ АКУМУЛАТОРНАТА БАТЕРИЯ

Фигура 6.

1. Натиснете и задържете бутона за освобождаване на акумулатора.
2. Снете акумулаторната батерия от машината.

## 4 РАБОТА

#### **i** ВАЖНО

Преди да работите с машината прочетете и разберете наредбите за безопасност и инструкциите за работа.

#### **▲** ПРЕДУПРЕЖДЕНИЕ

Внимавайте, когато работите с машината.

### 4.1 СТАРТИРАНЕ НА МАШИНАТА

Фигура 7.

1. Натиснете бутона за заключване и дръпнете спуська.

### 4.2 СПИРАНЕ НА МАШИНАТА

Фигура 7.

1. Освободете спуська за да спрете машината.

### 4.3 СЪВЕТИ ЗА РАБОТА

Фигура 8.

#### ▲ ПРЕДУПРЕЖДЕНИЕ

Спазвайте разстояние между тялото и машината.

#### ▲ ПРЕДУПРЕЖДЕНИЕ

Не работете с машината без поставен предпазител на място.

Изпълнявайте тези съвети, когато използвате машината

- Дръжте машината свързана към правилно носена сбруя.
- Поддържайте здрав захват с две ръце на машината, когато работите с нея.
- Режете високата трева от горе на долу.

Ако тревата се увие около главата на тримера:

- Премахнете акумулаторната батерия.
- Премахнете тревата.

### 4.4 СЪВЕТИ ЗА РЯЗАНЕ.

Фигура 9.

- Наклонете машината към зоната, която ще се реже. Използвайте върха на кордата за рязане, за да режете трева.
- Движете машината от дясно на ляво, за да предотвратите изхвърляне на отпадъци към оператора.
- Не режете в опасна зона.
- Не използвайте сила върху главата на тримера към неизрязаната трева.
- Телени и дървени огради причиняват износване и повреда на кордата. Камъни, тухлени стени, бордюри и дърво. могат бързо да износят режещата корда.

### 4.5 НАСТРОЙВАНЕ НА ДЪЛЖИНАТА НА РЕЖЕЩАТА КОРДА

Фигура 10.

Докато работите с машината, режещата корда се износва и става по-къса. Може да настроите дължината на режещата корда.

1. Ударете главата на тримера в земята, докато работите с машината.
2. Кордата се освобождава автоматично и крайният нож отрязва излишната дължина.

### 4.6 НАСТРОЙКА НА ДИАМЕТЪРА НА РЯЗАНЕ.

Фигура 11.

#### i БЕЛЕЖКА

Машината е настроена на 356 mm диаметър за рязане. Може да настроите до 406 mm диаметър за рязане.

Настройте диаметъра за рязане до 356 mm за по-голям живот и 406 mm по-голяма зона на рязане.

1. Премахнете акумулаторната батерия.
2. Извадете винтовете на ножа на крайния нож..
3. Завъртете крайния нож на 180°.
4. Затегнете винтовете на ножа.

### 4.7 НОЖ ЗА ОТРЯЗВАНЕ НА КОРДАТА

Фигура 11.

Тримерът е оборудван с нож за отрязване на кордата на предпазителя. Ножът за отрязване на кордата непрекъснато подрязва кордата, за да осигури постоянен и ефективен режещ диаметър. Изваждайте кордата когато чууете двигателят да работи по-бързо от нормално или когато ефективността на рязане намалее. Това ще поддържа най-добра производителност и ще запази кордата достатъчно дълга за правилно изваждане.

## 5 ПОДДРЪЖКА

#### i ВАЖНО

Прочетете и разберете разпоредбите за безопасност и инструкциите за поддръжка, преди да почистите, ремонтирате или да извършите дейности по поддръжка по машината.

#### i ВАЖНО

Уверете се, че всички гайки, болтове и винтове са затегнати. Редовно проверявайте дали сте монтирали здраво ръкохватките.

#### i ВАЖНО

Използвайте единствено резервни части и аксесоари от първоначални производител.

### 5.1 ОБЩА ИНФОРМАЦИЯ

#### i ВАЖНО

Само вашият търговец или одобрен сервизен център, може да извършва поддръжка, която не е представена в това ръководство.

Преди дейности по поддръжка:

- Спрете машината.
- Премахнете акумулаторната батерия.



- Охладете двигателя.
- Съхранете машината на хладно и сухо място.
- Използвайте подходящи дрехи, защитни ръкавици и очила за безопасност.

## 5.2 ПОЧИСТВАНЕ НА МАШИНАТА.

- След всяка употреба почиствайте машината с влажна кърпа потопена в неутрален почистващ препарат.
- Не използвайте агресивни почистващи препарати или разтворители, като такива за почистване на стъкло, за почистване на пластмасовите части или ръкохватките.
- Поддържайте главата на тримера чиста от трева, листа или прекомерна смазка.
- Поддържайте въздушните отвори чисти и без отпадъци, за да избегнете прегряване и повреда на мотора.
- Не пръскайте вода в мотора или електрическите компоненти.

## 5.3 ПОДМЯНА НА МАКАРАТА

Фигура 12 - 20.

1. Натиснете едновременно щифтовете от страни на главата на тримера.
2. Издърпайте и извадете капака на макарата.
3. Извадете останалата макара.
4. Поставете макарата в капака.

### i БЕЛЕЖКА

Уверете се, че режещата корда е в слота на новата макара и се удължава приблизително 15 см, преди да монтирате новата макара.

5. Прекарайте краищата на режещата корда през отворите.
6. Удължете режещата корда за да я освободите от слота на водача в макарата.
7. Монтирайте макарата и капака на макарата в главата на тримера.
8. Бутнете капака на макарата докато щракне в позиция.

## 5.4 ПОДМЯНА НА РЕЖЕЩАТА КОРДА.

Фигура 14 - 16.

### i БЕЛЕЖКА

Премахнете оставащата корда за рязане от макарата.

### i БЕЛЕЖКА

Използвайте единствено найлонова режеща корда с 2 mm диаметър.

1. Изрежете парче от режещата корда приблизително 3 м дълго.
2. Огънете кордата в средата и закачете ухото в слота на централния ръб на макарата. Уверете се, че кордата влиза в позиция в слота.
3. С вашите пръсти между кордите, навийте равномерно и плътно кордите в макарата, в посочената посока.
4. Поставете кордите в слотовете на водачите.
5. Не навивайте кордите извън ръба на макарата.

## 5.5 СГЛОБЯВАНЕ НА ГЛАВАТА НА ТРИМЕРА.

Фигура 21.

1. Поставете разделителите правилно на щангата.
2. Закрепете вътрешната пръстен гайка към вътрешната чаша в посочената посока.
3. Уверете се, че жлебовете на вътрешната пръстен гайка са перфектно подравнени с тези на ъгловата трансмисия.
4. Поставете гаечен ключ в определения отвор на ъгловата трансмисия.
5. Завъртете главата на тримера и бутнете гаечния ключ, докато той зацели в отвора на вътрешната пръстен гайка, блокирайки въртенето.
6. Сглобете главата на тримера.
7. Завъртете главата на тримера обратно на часовника за да я затегнете.
8. Премахнете гаечния ключ.

### i ВАЖНО

Трябва да монтирате крайния нож, когато използвате главата на тримера.

## 5.6 ИЗВАЖДАНЕ НА ГЛАВАТА НА ТРИМЕРА.

Фигура 21.

1. Поставете гаечен ключ в определения отвор на ъгловата трансмисия.
2. Завъртете главата на тримера и бутнете гаечния ключ, докато той зацели в отвора на вътрешната пръстен гайка, блокирайки въртенето.
3. Завъртете главата на тримера по часовника за да я разхлабите. Не премахвайте разделителя от щангата.

## 5.7 СМЯНА НА БУТОНА ЗА ОТПУСКАНЕ НА КОРДА

Фигура 13.

1. Натиснете едновременно щифтовете от страни на главата на тримера.
2. Издърпайте и извадете капака на макарата.
3. Извадете макарата.
4. Задръжте бутона за отпускане на корда и го отделете с метален прът (не е доставен).
5. Поставете новия бутон за отпускане на корда в корпуса на макарата.

## 5.8 СГЛОБЯВАНЕ НА ХРАСТОРЕЗА

Фигура 22 - 23.

### ▲ ПРЕДУПРЕЖДЕНИЕ

Носете ръкавици и внимавайте с острият ръбове.

### ▲ ПРЕДУПРЕЖДЕНИЕ

Поставете предпазителя на ножа.

1. Поставете разделителите правилно на щангата.
2. Закрепете вътрешната пръстен гайка към вътрешната чаша в посочената посока.
3. Уверете се, че жлебовете на вътрешната пръстен гайка са перфектно подравнени с тези на ъгловата трансмисия.
4. Закрепете ножа и външната гайка пръстен, с плоската част сочеща към ножа.
5. Закрепете външната чаша без да затягате гайката.
6. Поставете гаечен ключ в определения отвор на ъгловата трансмисия.
7. Завъртете ножа и бутнете гаечният ключ, докато ножа се намести в отвора на вътрешната пръстен гайка, блокирайки въртенето.
8. Затегнете гайката обратно на часовника чрез гаечен ключ 19 мм или 3/4 инча (44/58 Nm).

## 5.9 ОТСТРАНЯВАНЕ НА ХРАСТОРЕЗА

Фигура 22 - 23.

### ▲ ПРЕДУПРЕЖДЕНИЕ

Поставете предпазителя на ножа.

1. Поставете гаечен ключ в определения отвор на ъгловата трансмисия.
2. Завъртете ножа и бутнете гаечният ключ, докато той зацели в отвора на вътрешната пръстен гайка, блокирайки въртенето.

3. Разхлабете гайката по часовника и извадете външната чаша.
4. Извадете външната пръстен гайка, ножа вътрешната чаша и вътрешната пръстен гайка. Не премахвайте разделителя от щангата.

## 6 ТРАНСПОРТ И СЪХРАНЕНИЕ

### 6.1 ПРЕМЕСТЕТЕ МАШИНАТА

Когато премествате машината трябва да:

- Носите ръкавици.
- Спрете машината.
- Снемете акумулаторната батерия.
- Монтирайте предпазителя за ножа.

### 6.2 СЪХРАНЕНИЕ НА МАШИНАТА

- Снемете акумулаторната батерия от машината и я заредете.
- Уверете се, че деца не могат да доближат до машината.
- Пазете машината далеч от корозивни препарати, като градински химикали и сол за обезледяване.
- Обезопасете машината по време на транспорт, за да предотвратите повреда или нараняване. Почистете и проверете машината за повреди.

## 7 ОТСТРАНЯВАНЕ НА НЕИЗПРАВНОСТИ

Проблем	Възможна причина	Решение
Машината не стартира, когато натиснете спуська.	Няма електрически контакт между машината и акумулатора.	1. Премахнете акумулаторната батерия. 2. Проверете контакта и монтирайте отново акумулаторната батерия.
	Акумулаторната батерия е изтощена.	Заредете акумулаторната батерия.
Заклучващият бутон и спуськът не са натиснати едновременно.	Заклучващият бутон и спуськът не са натиснати едновременно.	1. Издърпайте заключващия бутон и го задръжте. 2. Дръпнете спуська за да стартирате машината.

Проблем	Възможна причина	Решение
Машината спира, когато режете.	Предпазителят не е прикрепен към машината.	Извадете акумулаторната батерия и монтирайте предпазителя към машината.
	Използвана е тежка корда за рязане.	Използвайте единствено найлонова режеща корда с 2 mm диаметър.
	Тревата се навива около вала на мотора или главата на тримера.	<ol style="list-style-type: none"> <li>1. Спрете машината.</li> <li>2. Премахнете акумулаторната батерия.</li> <li>3. Премахнете тревата около вала на мотора и главата на тримера.</li> </ol>
Моторът е претоварен.	Акумулаторната батерия или машината са твърде горещи.	<ol style="list-style-type: none"> <li>1. Извадете тримерната глава от тревата.</li> <li>2. Моторът ще се възстанови за работа веднага след като товарът бъде отстранен.</li> <li>3. Когато режете изваждайте и вкарвайте тримерната глава в тревата, която трябва да бъде отрязана и отстранявайте не повече от 8 инча на единично рязане.</li> </ol>
		<ol style="list-style-type: none"> <li>1. Охладете акумулаторната батерия, докато функциите му се върнат към нормалното.</li> <li>2. Охладете машината приблизително за 10 минути.</li> </ol>
Акумулаторната батерия е разединена от инструмента.	Монтирайте отново акумулаторната батерия.	
Акумулаторната батерия е изтощена.	Заредете акумулаторната батерия.	

Проблем	Възможна причина	Решение
Кордата не напредва.	Кордите са залепени една за друга.	Смажете със силиконов спрей.
	Няма достатъчно корда на макарата.	Монтирайте повече корда.
	Кордите са износени твърде късо.	Напредване на режещата корда.
	Кордите са заплетена в макарата.	<ol style="list-style-type: none"> <li>1. Извадете кордите от макарата.</li> <li>2. Навийте кордите.</li> </ol>
Кордите продължават да се чупят.	Машината се използва неправилно.	<ol style="list-style-type: none"> <li>1. Режете с върха на кордата, избягвайте камъни, стени и други твърди обекти.</li> <li>2. Изтегляйте кордата редовно за да запазите пълната ширина на рязане.</li> </ol>
Тревата се навива около главата на тримера и корпуса на мотора.	Режете висока трева при нивото на земята.	<ol style="list-style-type: none"> <li>1. Режете високата трева от горе на долу.</li> <li>2. Премахвайте не повече от 8 инча на единично рязане, за да предотвратите увиване.</li> </ol>
Кордата не реже добре.	Крайният нож е затъпен.	Заточете крайния нож с пила или го подменете.
Очевидно увеличава не на вибрациите.	Кордата е износена от една страна и не е изтеглена на време.	Уверете се, че кордата от двете страни е еднаква. Изтеглете режещата корда.

## 8 ТЕХНИЧЕСКИ ДАННИ

Напрежение	40 V
Скорост без натоварване	6300 ±10%об/мин (Тример за трева), 6800±10%об/мин (Храсторез)
Режеща глава	Ударна глава / нож на храстореза
Диаметър на режещата корда	2 mm

Диаметър на режещата пътека	356/406mm (Тример за трева), 254 mm (Храсторез)	
Тегло (без акумулаторната батерия)	4.5 кг	
Модел на акумулатора	G40B2/G40B25/G40B4 и други серии BAF	
Модел на зарядно устройство	G40C и други серии CAF	
Тример за трева	Измерено ниво на звуково налягане	$L_{PA}=78.4 \text{ dB(A)}$ , $K_{PA}=3 \text{ dB(A)}$
	Гарантирано ниво на сила на звука	$L_{WA,d}=96 \text{ dB(A)}$
	Вибрации	$<2.5 \text{ м/сек}^2$ , $k=1.5 \text{ м/сек}^2$
Храсторез	Измерено ниво на звуково налягане	$L_{PA}=82.8 \text{ dB(A)}$ , $K=3 \text{ dB(A)}$
	Гарантирано ниво на сила на звука	$L_{WA,d}=101 \text{ dB(A)}$
	Вибрации	$<2.5 \text{ м/сек}^2$ , $k=1.5 \text{ м/сек}^2$



96 dB. Стойност на шум. (Тример за трева)

101 dB. Стойност на шум. (Храсторез)

## 9 ГАРАНЦИЯ

(Пълните гаранционни срокове и условия могат да бъдат намерени на Greenworks уебстраницата [www.greenworkstools.eu](http://www.greenworkstools.eu))

Гаранцията Greenworks е 3 години за продукта и 2 години за батериите (потребителска/частна употреба) от датата на закупуване. Гаранцията покрива производствени дефекти. Дефектен продукт по гаранцията може да бъде или поправен, или подменен. Уред, с който е било злоупотребено или е използван по начин различен от описания в ръководството на потребителя, гаранцията може да бъде анулирана. Нормалното износване и износване на части не се покриват от гаранцията. Оригиналната гаранция на производителя не се влияе от каквато и да било допълнителна гаранция предлагана от дистрибутора или търговеца на дребно.

Един дефектен продукт трябва да бъде върнат до точката на закупуване, за да се направи рекламация по гаранцията, заедно с доказателство за покупката (касова бележка).

## 10 ДЕКЛАРАЦИЯ ЗА СЪОТВЕТСТВИЕ НА ЕО

Име и адрес на производителя:

Име: GLOBGRO AB  
Globe Group Europe

Адрес: Riggaregatan 53, 211 13 Malmö,  
Швеция

Име и адрес на упълномощеното лица за съставяне техническия файл:

Име: Micael Johansson

Адрес: Riggaregatan 53, 211 13 Malmö,  
Швеция

С настоящото декларираме, че продуктът

Категория: Кордов тример / Храсторез

Модел: 2105707(STF457)

Сериен номер: Виж етикета с номинални стойности на продукта

Година на конструиране: Виж етикета с номинални стойности на продукта

- е в съответствие със съответните разпоредби на Директивата за машините 2006/42/ЕС.
- е в съответствие с разпоредбите на следните други директиви на ЕО:
  - 2014/30/EU
  - 2000/14/EC & 2005/88/EC
  - 2011/65/EU & (EU)2015/863

Допълнително, ние декларираме, че следните (детайли/клаузи на) съгласувани стандарти са използвани:

- EN 60335-1; EN 50636-2-91; EN 62233; EN 55014-1; EN 55014-2; EN ISO 3744; EN ISO 3744; ISO 11094; EN ISO 11806-1; IEC 62321-7-2; IEC 62321-4; IEC 62321-5; IEC 62321-6; IEC 62321-7-1; IEC 62321-8; IEC 62321-3-1.

Метод за оценка на съответствието на приложение VI / директива 2000/14/ЕО.

Кордов тример

Измерено ниво на сила на звука:  $L_{WA} : 93.3 \text{ dB(A)}$



<b>1</b>	<b>Περιγραφή.....</b>	<b>165</b>	<b>5</b>	<b>Συντήρηση.....</b>	<b>167</b>
1.1	Σκοπός.....	165	5.1	Γενικές πληροφορίες.....	167
1.2	Επισκόπηση.....	165	5.2	Καθαρίστε το μηχάνημα.....	168
<b>2</b>	<b>Ασφάλεια.....</b>	<b>165</b>	5.3	Αντικατάσταση του καρουλιού.....	168
<b>3</b>	<b>Εγκατάσταση.....</b>	<b>165</b>	5.4	Αντικατάσταση του νήματος κοπής.....	168
3.1	Αποσυσκευασία του μηχανήματος.....	165	5.5	Συναρμολόγηση της κεφαλής κοπής.....	168
3.2	Προσάρτηση του προστατευτικού.....	165	5.6	Απομάκρυνση κεφαλής χλοοκοπτικού... ..	168
3.3	Συναρμολόγηση του άξονα.....	166	5.7	Αντικατάσταση του κουμπιού τμήματος πρόσκρουσης.....	169
3.4	Προσάρτηση της βοηθητικής λαβής.....	166	5.8	Συναρμολόγηση του θαμνοκοπτικού.....	169
3.5	Χρησιμοποιήστε τον ιμάντα ώμου.....	166	5.9	Απομάκρυνση του θαμνοκοπτικού.....	169
3.6	Τοποθετήστε την μπαταρία.....	166	<b>6</b>	<b>Μεταφορά και αποθήκευση....</b>	<b>169</b>
3.7	Αφαιρέστε την μπαταρία.....	166	6.1	Μετακίνηση του μηχανήματος.....	169
<b>4</b>	<b>Λειτουργία.....</b>	<b>166</b>	6.2	Αποθήκευση μηχανήματος.....	169
4.1	Έναρξη λειτουργίας του μηχανήματος....	166	<b>7</b>	<b>Αντιμετώπιση προβλημάτων. 170</b>	
4.2	Διακοπή λειτουργίας του μηχανήματος... ..	166	<b>8</b>	<b>Τεχνικά δεδομένα.....</b>	<b>171</b>
4.3	Συμβουλές λειτουργίας.....	167	<b>9</b>	<b>Εγγύηση.....</b>	<b>171</b>
4.4	Συμβουλές για την κοπή.....	167	<b>10</b>	<b>Δήλωση συμμόρφωσης ΕΕ....</b>	<b>172</b>
4.5	Ρύθμιση του μήκους νήματος κοπής.....	167			
4.6	Ρύθμιση της διαμέτρου κοπής.....	167			
4.7	Λεπίδα κοπής νήματος.....	167			

## 1 ΠΕΡΙΓΡΑΦΗ

### 1.1 ΣΚΟΠΟΣ

Το μηχάνημα αυτό χρησιμοποιείται για την κοπή γρασιδιού, ελαφριών αγριόχορτων και παρόμοιας βλάστησης στο έδαφος ή γύρω από αυτό. Η λεπίδα κοπής πρέπει να είναι σχεδόν παράλληλη με την επιφάνεια του εδάφους. Δεν μπορείτε να χρησιμοποιείτε το μηχάνημα για κοπή ή τεμαχισμό φρακτών από θάμνους, θάμνων, λουλουδιών και κομπόστ.

### 1.2 ΕΠΙΣΚΟΠΗΣΗ

Εικόνα 1 - 23.

- 1 Σκανδάλη
- 2 Κουμπί ασφάλισης
- 3 Άνω άξονας
- 4 Βοηθητική χειρολαβή
- 5 Κάτω άξονας
- 6 Προστατευτικό
- 7 Λεπίδα κοπής
- 8 Κεφαλή κοπής
- 9 Πλώμα προστατευτικού
- 10 Λεπίδα
- 11 Κουμπί αποδέσμευσης
- 12 Οπή τοποθέτησης
- 13 Κλειδί Allen
- 14 Κεντρικό κουμπί
- 15 Πλώμα
- 16 Κάτω υποστήριξη
- 17 Κάλυμμα καρουλίου
- 18 Καρούλι
- 19 Γλωττίδα
- 20 Υφιστάμενη οπή νήματος
- 21 Μηχανικό κλειδί
- 22 Παξιμάδι
- 23 Εξωτερική υποδοχή
- 24 Εξωτερικός δακτύλιος ρύθμισης
- 25 Εσωτερική υποδοχή
- 26 Οπή μετάδοσης γωνίας
- 27 Κουμπί τμήματος πρόσκρουσης
- A Κατεύθυνση περιστροφής
- B Καλύτερος τομέας κοπής
- C Επικίνδυνος τομέας κοπής

## 2 ΑΣΦΑΛΕΙΑ

### ▲ ΠΡΟΕΙΔΟΠΟΙΗΣΗ

Εξασφαλίστε την τήρηση όλων των οδηγιών ασφαλείας.

Ανατρέξτε στο εγχειρίδιο ασφαλείας.

## 3 ΕΓΚΑΤΑΣΤΑΣΗ

### ▲ ΠΡΟΕΙΔΟΠΟΙΗΣΗ

Αφαιρέστε τη μπαταρία από το μηχάνημα πριν από την εγκατάσταση.

### ▲ ΠΡΟΕΙΔΟΠΟΙΗΣΗ

Μη χρησιμοποιείτε αξεσουάρ τα οποία δεν συστήνονται για αυτό το μηχάνημα.

### 3.1 ΑΠΟΣΥΣΚΕΥΑΣΙΑ ΤΟΥ ΜΗΧΑΝΗΜΑΤΟΣ

#### ▲ ΠΡΟΕΙΔΟΠΟΙΗΣΗ

Βεβαιωθείτε ότι έχετε συναρμολογήσει σωστά το μηχάνημα πριν από τη χρήση.

#### ▲ ΠΡΟΕΙΔΟΠΟΙΗΣΗ

- Εάν τμήματα του μηχανήματος έχουν φθορές, μη χρησιμοποιήσετε το μηχάνημα.
- Εάν λείπουν εξαρτήματα, μη θέσετε σε λειτουργία το μηχάνημα.
- Εάν εξαρτήματα έχουν φθορές ή λείπουν, επικοινωνήστε με το κέντρο εξυπηρέτησης.

1. Ανοίξτε τη συσκευασία.
2. Διαβάστε τα έγγραφα που υπάρχουν στην κούτα.
3. Αφαιρέστε όλα τα μη συναρμολογημένα μέρη από την κούτα.
4. Αφαιρέστε το μηχάνημα από την κούτα.
5. Η απόρριψη της κούτας και των υλικών συσκευασίας πρέπει να γίνεται σε συμμόρφωση με τους τοπικούς κανονισμούς.

#### ▲ ΠΡΟΕΙΔΟΠΟΙΗΣΗ

Για την προσωπική σας ασφάλεια μην εισάγετε την μπαταρία προτού συναρμολογηθεί πλήρως το εργαλείο.

### 3.2 ΠΡΟΣΑΡΤΗΣΗ ΤΟΥ ΠΡΟΣΤΑΤΕΥΤΙΚΟΥ

Εικόνα 2.

#### ▲ ΠΡΟΕΙΔΟΠΟΙΗΣΗ

Μην αγγίζετε τη λεπίδα κοπής.

1. Απομακρύνετε τις βίδες από την κεφαλή κοπής με ένα κατσαβίδι Φίλιπς (δεν παρέχεται).
2. Τοποθετήστε το προστατευτικό επάνω στην κεφαλή κοπής.

- Ευθυγραμμίστε τις οπές βίδας στο προστατευτικό με τις οπές βίδας στην κεφαλή κοπής.
- Σφίξτε τις βίδες.
- Τοποθετήστε το πώμα προστατευτικού επάνω στο προστατευτικό.
- Ευθυγραμμίστε τις οπές βίδας στο πώμα προστατευτικού με τις οπές βίδας στο προστατευτικό.
- Σφίξτε τις βίδες.

### 3.3 ΣΥΝΑΡΜΟΛΟΓΗΣΗ ΤΟΥ ΑΞΟΝΑ

Εικόνα 3.

- Λασκάρτε τη βίδα στον ζεύκτη.
- Ωθήστε μέσα το κουμπί αποδέσμευσης στον κάτω άξονα.
- Ευθυγραμμίστε το κουμπί αποδέσμευσης με την οπή τοποθέτησης και γλιστρήστε τους δύο άξονες.
- Γυρίστε τον κάτω άξονα μέχρι το κουμπί να ασφαλίσει στην οπή τοποθέτησης.

#### ΣΗΜΕΙΩΣΗ

Το κουμπί αποδέσμευσης πρέπει να στερεώνεται στην οπή τοποθέτησης. Χρησιμοποιώντας την λάθος οπή μπορεί να προκύψει ατομικός τραυματισμός ή ζημιά στη μονάδα.

- Σφίξτε τη βίδα με το κλειδί Allen.

### 3.4 ΠΡΟΣΑΡΤΗΣΗ ΤΗΣ ΒΟΗΘΗΤΙΚΗΣ ΛΑΒΉΣ

Εικόνα 4.

- Λασκάρτε το κεντρικό κουμπί.
- Απομακρύνετε το πώμα και την κάτω υποστήριξη.

#### ΣΗΜΕΙΩΣΗ

Μην χάσετε το ελατήριο στην υποστήριξη.

- Τοποθετήστε την βοηθητική χειρολαβή στην κάτω υποστήριξη.
- Τοποθετήστε το πώμα στην κάτω υποστήριξη.
- Τοποθετήστε ολόκληρο το μπλοκ στο περίβλημα του στον άξονα.
- Ρυθμίστε την βοηθητική χειρολαβή σε μια άνετη θέση.
- Ασφαλίστε την βοηθητική χειρολαβή με το κεντρικό κουμπί.

### 3.5 ΧΡΗΣΙΜΟΠΟΙΗΣΤΕ ΤΟΝ ΙΜΑΝΤΑ ΟΜΟΥ

Εικόνα 5.

- Προσαρτήστε το караμπίνερ στον δακτύλιο μεταφοράς στο κοντάρι.

- Φορέστε τον ιμάντα ώμου.
- Προσαρμόστε το μήκος του ιμάντα έτσι ώστε το караμπίνερ να είναι περίπου σε απόσταση μίας παλάμης κάτω από τον δεξιό γοφό σας.

### 3.6 ΤΟΠΟΘΕΤΗΣΤΕ ΤΗΝ ΜΠΑΤΑΡΙΑ

Εικόνα 6.

#### ΠΡΟΕΙΔΟΠΟΙΗΣΗ

- Εάν η μπαταρία ή ο φορτιστής έχουν φθορές, αντικαταστήστε την μπαταρία ή τον φορτιστή.
- Διακόψτε τη λειτουργία του μηχανήματος και περιμένετε να σταματήσει το μοτέρ για να εγκαταστήσετε ή να αφαιρέσετε την μπαταρία.
- Διαβάστε, μάθετε και ακολουθήστε τις οδηγίες στο εγχειρίδιο της μπαταρίας και του φορτιστή.

- Ευθυγραμμίστε τις γραμμίσεις στο αριστερό μέρος της μπαταρίας με τις εγκοπές στο διαμέρισμα της μπαταρίας.
- Σπρώξτε την μπαταρία μέσα στο διαμέρισμα μπαταρίας μέχρι να ασφαλίσει στη θέση της.
- Όταν ακούσετε το κλικ, θα σημαίνει ότι η μπαταρία έχει τοποθετηθεί.

### 3.7 ΑΦΑΙΡΕΣΤΕ ΤΗΝ ΜΠΑΤΑΡΙΑ.

Εικόνα 6.

- Πατήστε και κρατήστε πατημένο το κουμπί απελευθέρωσης μπαταρίας.
- Αφαιρέστε τη μπαταρία από το μηχανήμα.

## 4 ΛΕΙΤΟΥΡΓΙΑ

#### ΣΗΜΑΝΤΙΚΟ

Προτού θέσετε σε λειτουργία το μηχανήμα διαβάστε και κατανοήστε τις διατάξεις ασφάλειας και τις οδηγίες λειτουργίας.

#### ΠΡΟΕΙΔΟΠΟΙΗΣΗ

Προσέχετε κατά τη λειτουργία του μηχανήματος.

### 4.1 ΎΝΑΡΞΗ ΛΕΙΤΟΥΡΓΙΑΣ ΤΟΥ ΜΗΧΑΝΗΜΑΤΟΣ

Εικόνα 7.

- Πιέστε το κουμπί κλειδώματος και τραβήξτε τη σκανδάλη.

### 4.2 ΔΙΑΚΟΠΉ ΛΕΙΤΟΥΡΓΙΑΣ ΤΟΥ ΜΗΧΑΝΗΜΑΤΟΣ

Εικόνα 7.

- Απελευθερώστε τη σκανδάλη για να απενεργοποιήσετε το μηχανήμα.



## 4.3 ΣΥΜΒΟΥΛΕΣ ΛΕΙΤΟΥΡΓΙΑΣ

Εικόνα 8.

### ▲ ΠΡΟΕΙΔΟΠΟΙΗΣΗ

Διατηρείτε μια απόσταση ανάμεσα στο σώμα και στο μηχανήμα.

### ▲ ΠΡΟΕΙΔΟΠΟΙΗΣΗ

Μη θέσετε σε λειτουργία το μηχανήμα εάν το προστατευτικό δεν είναι στη θέση του.

### Ακολουθήστε αυτές τις υποδείξεις κατά τη χρήση του μηχανήματος

- Διατηρείτε το μηχανήμα συνδεδεμένο με το σωστά τοποθετημένο λουρί.
- Κρατάτε σφιχτά με τα δύο χέρια το μηχανήμα ενώ χειρίζεστε το μηχανήμα.
- Κόβετε ψηλό γρασίδι από επάνω προς τα κάτω.

### Εάν τυλίγεται γρασίδι γύρω από την κεφαλή κοπής:

- Αφαιρέστε τη συστοιχία μπαταριών.
- Αφαιρέστε το χόρτο.

## 4.4 ΣΥΜΒΟΥΛΕΣ ΓΙΑ ΤΗΝ ΚΟΠΗ

Εικόνα 9.

- Γείρετε το μηχανήμα προς την περιοχή που θέλετε να κουρέψετε. Χρησιμοποιήστε την ακμή του νήματος κοπής για να κόψετε γρασίδι.
- Μετακινήστε το μηχανήμα από δεξιά προς αριστερά ώστε να εμποδίσετε υπολείμματα να πεταχτούν προς το χειριστή.
- Μην κόβετε στον τομέα κινδύνων.
- Μην ζορίζετε την κεφαλή κοπής μέσα σε άκοπο γρασίδι.
- Οι συρμάτινοι φράχτες και οι φράχτες με πασσάλους προκαλούν φθορά ή κοπή του νήματος κοπής. Οι πέτρινοι τοίχοι και οι τοίχοι από τούβλα, τα κράσπεδα και το ξύλο μπορούν να φθείρουν γρήγορα το νήμα κοπής.

## 4.5 ΡΥΘΜΙΣΗ ΤΟΥ ΜΗΚΟΥΣ ΝΗΜΑΤΟΣ ΚΟΠΗΣ

Εικόνα 10.

Ενώ χειρίζεστε το μηχανήμα το νήμα κοπής φθείρεται και κονταίνει. Μπορείτε να ρυθμίσετε το μήκος νήματος κοπής.

1. Αφήστε την κεφαλή κοπής να χτυπήσει το έδαφος ενώ χειρίζεστε το μηχανήμα.
2. Απελευθερώνεται αυτόματα νήμα και η λεπίδα κοπής κόβει το υπερβάλλον μήκος.

## 4.6 ΡΥΘΜΙΣΗ ΤΗΣ ΔΙΑΜΕΤΡΟΥ ΚΟΠΗΣ

Εικόνα 11.

### i ΣΗΜΕΙΩΣΗ

Στο μηχανήμα έχει ρυθμιστεί μια 356 mm διάμετρος κοπής. Μπορείτε να ρυθμίσετε μια 406 mm διάμετρο κοπής.

Ρυθμίστε τη διάμετρο κοπής σε 356 mm για μεγαλύτερο χρόνο λειτουργίας και 406 mm μεγαλύτερη περιοχή κοπής.

1. Αφαιρέστε τη συστοιχία μπαταριών.
2. Αφαιρέστε τις βίδες λεπίδας από την λεπίδα κοπής.
3. Γυρίστε την λεπίδα κοπής 180°.
4. Σφίξτε τις βίδες λεπίδας.

## 4.7 ΛΕΠΙΔΑ ΚΟΠΗΣ ΝΗΜΑΤΟΣ

Εικόνα 11.

Αυτό το χλοοκοπτικό είναι εξοπλισμένο με μια λεπίδα κοπής νήματος στο προστατευτικό. Η λεπίδα κοπής νήματος κόβει συνεχώς το νήμα ώστε να εξασφαλίζεται μια σταθερή και αποδοτική διάμετρος κοπής. Προχωρήστε το νήμα όποτε ακούσετε τον κινητήρα να λειτουργεί πιο γρήγορα από το φυσιολογικό ή εάν μειωθεί η απόδοση κοπής. Έτσι θα διατηρηθεί η καλύτερη απόδοση και το νήμα θα παραμείνει επαρκώς μακρύ ώστε να προχωράει σωστά.

## 5 ΣΥΝΤΗΡΗΣΗ

### i ΣΗΜΑΝΤΙΚΟ

Διαβάστε και κατανοήστε τους κανονισμούς ασφάλειας και τις οδηγίες συντήρησης προτού καθαρίσετε, επισκευάσετε ή κάνετε εργασίες συντήρησης στο μηχανήμα.

### i ΣΗΜΑΝΤΙΚΟ

Εξασφαλίστε ότι όλα τα παξιμάδια, τα μπουλόνια και οι βίδες είναι σφιχτά. Βεβαιώνετε τακτικά ότι οι λαβές έχουν τοποθετηθεί σφιχτά.

### i ΣΗΜΑΝΤΙΚΟ

Χρησιμοποιείτε μόνο ανταλλακτικά και εξαρτήματα του αρχικού κατασκευαστή.

## 5.1 ΓΕΝΙΚΕΣ ΠΛΗΡΟΦΟΡΪΕΣ

### i ΣΗΜΑΝΤΙΚΟ

Μόνο ο αντιπρόσωπός σας ή το εγκεκριμένο κέντρο σέρβις μπορούν να διεξάγουν τη συντήρηση που δεν αναφέρεται στο παρόν εγχειρίδιο.

Πριν τις εργασίες συντήρησης:

- Διακόψτε τη λειτουργία του μηχανήματος.
- Αφαιρέστε τη συστοιχία μπαταριών.
- Αφήστε το μοτέρ να κρυώσει.
- Αποθηκεύετε το μηχάνημα σε μια δροσερή και στεγνή τοποθεσία.
- Χρησιμοποιείτε τα σωστά ρούχα, προστατευτικά γάντια και προστατευτικά γυαλιά.

## 5.2 ΚΑΘΑΡΙΣΤΕ ΤΟ ΜΗΧΑΝΗΜΑ

- Καθαρίζετε το μηχάνημα μετά από κάθε χρήση με ένα νωπό πανί που έχετε βρέξει με ουδέτερο απορρυπαντικό.
- Μη χρησιμοποιείτε επιθετικά απορρυπαντικά ή διαλυτικά «τύπου για τα τζάμια» για να καθαρίζετε τα πλαστικά τμήματα ή τις λαβές.
- Διατηρείτε την κεφαλή κοπής ελεύθερη από γρασίδι, φύλλα ή υπερβολικό γράσο.
- Διατηρείτε τα ανοίγματα αερισμού καθαρά και ελεύθερα από υπολείμματα προς αποφυγή υπερθέρμανσης και ζημιάς στον κινητήρα.
- Μην ψεκάζετε νερό επάνω στον κινητήρα και τα ηλεκτρικά στοιχεία.

## 5.3 ΑΝΤΙΚΑΤΑΣΤΑΣΗ ΤΟΥ ΚΑΡΟΥΛΙΟΥ

Εικόνα 12 - 20.

1. Ωθήστε τις γλωπίδες στα πλάγια της κεφαλής κοπής ταυτόχρονα.
2. Τραβήξτε και απομακρύνετε το κάλυμμα καρουλιού.
3. Απομακρύνετε το υπόλοιπο καρούλι.
4. Τοποθετήστε το καρούλι στο κάλυμμα καρουλιού.

### i ΣΗΜΕΙΩΣΗ

Εξασφαλίστε ότι το νήμα κοπής βρίσκεται στην εσοχή του νέου καρουλιού και επεκτείνεται περίπου 15 εκ. προτού εγκαταστήσετε το νέο καρούλι.

5. Τοποθετήστε τα άκρα των νημάτων κοπής μέσα από τις οπές.
6. Επεκτείνετε το νήμα κοπής για να το απελευθερώσετε από την εσοχή οδηγού στο καρούλι.
7. Εγκαταστήστε το καρούλι και το κάλυμμα καρουλιού επάνω στην κεφαλή κοπής.
8. Ωθήστε το κάλυμμα καρουλιού μέχρι να κουμπώσει στη σωστή θέση.

## 5.4 ΑΝΤΙΚΑΤΑΣΤΑΣΗ ΤΟΥ ΝΗΜΑΤΟΣ ΚΟΠΗΣ

Εικόνα 14 - 16.

### i ΣΗΜΕΙΩΣΗ

Απομακρύνετε το υπόλοιπο νήμα κοπής στο καρούλι.

### i ΣΗΜΕΙΩΣΗ

Χρησιμοποιείτε μόνο με νήμα κοπής νάilon με 2 mm διάμετρο.

1. Κόψτε ένα τμήμα του νήματος κοπής περίπου μήκους 3 μ.
2. Λυγίστε το νήμα στη μέση και αγκιστρώστε τη θηλιά μέσα στην εσοχή στο κεντρικό άκρο του καρουλιού. Εξασφαλίστε ότι το νήμα κουμπώνει στη σωστή θέση στην εσοχή.
3. Με τα δάχτυλά σας ανάμεσα στα νήματα, τυλίξτε τα ίσα και σφιχτά γύρω από το καρούλι στην κατεύθυνση που υποδεικνύεται.
4. Τοποθετήστε τα νήματα στην εσοχές οδηγού.
5. Μην τυλίξετε τα νήματα πέραν του άκρου καρουλιού.

## 5.5 ΣΥΝΑΡΜΟΛΟΓΗΣΗ ΤΗΣ ΚΕΦΑΛΗΣ ΚΟΠΗΣ

Εικόνα 21.

1. Τοποθετήστε τον αποστάτη σωστά στον άξονα.
2. Προσαρτήστε τον εσωτερικό δακτύλιο ρύθμισης στην εσωτερική υποδοχή στην κατεύθυνση που υποδεικνύεται.
3. Εξασφαλίστε ότι οι εγκοπές του εσωτερικού δακτυλίου ρύθμισης ευθυγραμμίζονται τέλεια με αυτές στη μετάδοση γωνίας.
4. Τοποθετήστε το κλειδί στην καθορισμένη οπή μετάδοσης γωνίας.
5. Γυρίστε την κεφαλή κοπής και ωθήστε το κλειδί μέχρι να εμπλέξει την εσωτερική οπή δακτυλίου ρύθμισης, μπλοκάροντας την περιστροφή.
6. Συναρμολογήστε την κεφαλή κοπής.
7. Γυρίστε την κεφαλή κοπής αριστερόστροφα για να την σφίξετε.
8. Απομακρύνετε το κλειδί.

### i ΣΗΜΑΝΤΙΚΟ

Πρέπει να εγκαταστήσετε τη λεπίδα κοπής όταν χρησιμοποιείτε την κεφαλή κοπής.

## 5.6 ΑΠΟΜΑΚΡΥΝΣΗ ΚΕΦΑΛΗΣ ΧΛΟΟΚΟΠΤΙΚΟΥ

Εικόνα 21.

1. Τοποθετήστε το κλειδί στην καθορισμένη οπή μετάδοσης γωνίας.
2. Γυρίστε την κεφαλή κοπής και ωθήστε το κλειδί μέχρι να εμπλέξει την εσωτερική οπή δακτυλίου ρύθμισης, μπλοκάροντας την περιστροφή.

3. Γυρίστε την κεφαλή κοπής δεξιόστροφα για να την λασκάρετε. Μην απομακρύνετε τον αποστάτη από τον άξονα.

## 5.7 ΑΝΤΙΚΑΤΑΣΤΑΣΗ ΤΟΥ ΚΟΥΜΠΙΟΥ ΤΜΗΜΑΤΟΣ ΠΡΟΣΚΡΟΥΣΗΣ

Εικόνα 13.

1. Ωθήστε τις γλωπίδες στα πλάγια της κεφαλής κοπής ταυτόχρονα.
2. Τραβήξτε και απομακρύνετε το κάλυμμα καρουλιού.
3. Απομακρύνετε το καρούλι.
4. Κρατήστε το κουμπί τμήματος πρόσκρουσης και ανοίξτε το με μια μεταλλική ράβδο (δεν παρέχεται).
5. Τοποθετήστε το νέο κουμπί τμήματος πρόσκρουσης μέσα στο περίβλημα καρουλιού.

## 5.8 ΣΥΝΑΡΜΟΛΟΓΗΣΗ ΤΟΥ ΘΑΜΝΟΚΟΠΤΙΚΟΥ

Εικόνα 22 - 23.

### ▲ ΠΡΟΕΙΔΟΠΟΙΗΣΗ

Να φοράτε γάντια και προσέχετε τις αιχμηρές γωνίες.

### ▲ ΠΡΟΕΙΔΟΠΟΙΗΣΗ

Τοποθετήστε το προστατευτικό στη λεπίδα.

1. Τοποθετήστε τον αποστάτη σωστά στον άξονα.
2. Προσαρτήστε τον εσωτερικό δακτύλιο ρύθμισης στην εσωτερική υποδοχή στην κατεύθυνση που υποδεικνύεται.
3. Εξασφαλίστε ότι οι εγκοπές του εσωτερικού δακτυλίου ρύθμισης ευθυγραμμίζονται τέλεια με αυτές στη μετάδοση γωνίας.
4. Προσαρτήστε τη λεπίδα και τον εξωτερικό δακτύλιο ρύθμισης με το επίπεδο τμήμα να βλέπει στη λεπίδα.
5. Προσαρτήστε την εξωτερική υποδοχή χωρίς να σφίξετε το παξιμάδι.
6. Τοποθετήστε το κλειδί στην καθορισμένη οπή μετάδοσης γωνίας.
7. Γυρίστε τη λεπίδα και ωθήστε το κλειδί μέχρι η λεπίδα να ταιριάζει στην εσωτερική οπή δακτυλίου ρύθμισης, μπλοκάροντας την περιστροφή.
8. Σφίξτε το παξιμάδι αριστερόστροφα με ένα κλειδί 19 χιλ. ή 3/4 ίν. (44/58 Nm).

## 5.9 ΑΠΟΜΑΚΡΥΝΣΗ ΤΟΥ ΘΑΜΝΟΚΟΠΤΙΚΟΥ

Εικόνα 22 - 23.

### ▲ ΠΡΟΕΙΔΟΠΟΙΗΣΗ

Τοποθετήστε το προστατευτικό στη λεπίδα.

1. Τοποθετήστε το κλειδί στην καθορισμένη οπή μετάδοσης γωνίας.
2. Γυρίστε τη λεπίδα και ωθήστε το κλειδί μέχρι να εμπλέξει την εσωτερική οπή περικόχλιου δακτυλίου, μπλοκάροντας την περιστροφή.
3. Λασκάρτε το περικόχλιο δακτυλίου και απομακρύνετε την εξωτερική υποδοχή.
4. Απομακρύνετε το εξωτερικό περικόχλιο δακτυλίου, τη λεπίδα, την εσωτερική υποδοχή και το εσωτερικό περικόχλιο δακτυλίου. Μην απομακρύνετε τον αποστάτη από τον άξονα.

## 6 ΜΕΤΑΦΟΡΑ ΚΑΙ ΑΠΟΘΗΚΕΥΣΗ

### 6.1 ΜΕΤΑΚΙΝΗΣΗ ΤΟΥ ΜΗΧΑΝΗΜΑΤΟΣ

Όταν μετακινείτε το μηχάνημα πρέπει να:

- Φοράτε γάντια.
- Διακόψετε τη λειτουργία του μηχανήματος.
- Αφαιρέστε την μπαταρία..
- Συναρμολογήστε το προστατευτικό λεπίδας.

### 6.2 ΑΠΟΘΗΚΕΥΣΗ ΜΗΧΑΝΗΜΑΤΟΣ

- Αφαιρέστε την συστοιχία μπαταριών από το μηχάνημα και φορτίστε την.
- Βεβαιωθείτε ότι τα παιδιά δεν μπορούν να πλησιάσουν το μηχάνημα.
- Κρατάτε το μηχάνημα μακριά από διαβρωτικά προϊόντα, όπως χημικά και αποπαγωγικά άλατα κήπου.
- Ασφαλίστε το μηχάνημα κατά τη μεταφορά, ώστε να μην υπάρξει ζημιά ή τραυματισμός. Καθαρίστε και εξετάστε το μηχάνημα για ζημιές.

## 7 ΑΝΤΙΜΕΤΩΠΙΣΗ ΠΡΟΒΛΗΜΑΤΩΝ

EL

Πρόβλημα	Πιθανή αιτία	Αντιμετώπιση
Το μηχάνημα δεν ξεκινάει όταν ωθείτε τη σκανδάλη.	Δεν υπάρχει ηλεκτρική επαφή μεταξύ του μηχανήματος και της συστοιχίας μπαταριών.	1. Αφαιρέστε τη συστοιχία μπαταριών. 2. Ελέγξτε την επαφή και επανεγκαταστήστε τη συστοιχία μπαταριών.
	Η συστοιχία μπαταριών έχει εξαντληθεί.	Φορτίστε τη συστοιχία μπαταριών.
	Το κουμπί ασφάλισης και η σκανδάλη δεν ωθούνται την ίδια στιγμή.	1. Τραβήξτε το κουμπί ασφάλισης και κρατήστε το. 2. Τραβήξτε τη σκανδάλη για να ενεργοποιήσετε το μηχάνημα.

Πρόβλημα	Πιθανή αιτία	Αντιμετώπιση
Το μηχάνημα σταματάει όταν κόβετε.	Το προστατευτικό δεν έχει προσαρτηθεί στο μηχάνημα.	Απομακρύνετε τη συστοιχία μπαταριών και προσαρτήστε το προστατευτικό στο μηχάνημα.
	Χρησιμοποιείται βαριά γραμμή κοπής.	Χρησιμοποιείτε μόνο με νήμα κοπής νάιλον με 2 mm διάμετρο.
	Το γρασίδι τυλίγεται γύρω από τον άξονα κινητήρα ή την κεφαλή κοπής.	1. Διακόψτε τη λειτουργία του μηχανήματος. 2. Αφαιρέστε τη συστοιχία μπαταριών. 3. Απομακρύνετε το γρασίδι από τον άξονα κινητήρα και την κεφαλή κοπής.
	Το μοτέρ έχει υπερφορτωθεί.	1. Απομακρύνετε την κεφαλή χλοοκοπτικού από το γρασίδι. 2. Το μοτέρ θα συνεχίσει να λειτουργεί μόλις αφαιρεθεί το φορτίο. 3. Κατά την κοπή μετακινείτε την κεφαλή χλοοκοπτικού μέσα και έξω από το γρασίδι που θα κοπεί και μην απομακρύνετε σε μήκος περισσότερο από 20,32 εκ. (8") με ένα πέρασμα.
	Η συστοιχία μπαταριών ή το μηχάνημα είναι πολύ καυτά.	1. Επιτρέψτε η συστοιχία μπαταριών να κρυώσει μέχρι η λειτουργία της να επιστρέψει στα κανονικά επίπεδα. 2. Επιτρέψτε το μηχάνημα να κρυώσει περίπου για 10 λεπτά.
Η συστοιχία μπαταριών έχει αποσυνδεθεί από το εργαλείο.	Επανεγκαταστήστε τη συστοιχία μπαταριών.	
Η συστοιχία μπαταριών έχει εξαντληθεί.	Φορτίστε τη συστοιχία μπαταριών.	

Πρόβλημα	Πιθανή αιτία	Αντιμετώπιση
Το νήμα δεν προχωράει.	Τα νήματα έχουν συκκολληθεί μεταξύ τους.	Λιπαίνετε με σπρέι σιλικόνης.
	Δεν υπάρχει επαρκές νήμα στο καρούλι.	Εγκαταστήστε περισσότερο νήμα.
	Τα νήματα είναι φθαρμένα και πολύ κοντά.	Προχωρήστε το νήμα κοπής.
	Τα νήματα έχουν μπλοκάρει στο καρούλι.	1. Αφαιρέστε τα νήματα από το καρούλι. 2. Τυλίξτε τα νήματα.
Το νήμα σπάει συνεχώς.	Το μηχάνημα χρησιμοποιείται με λάθος τρόπο.	1. Κόβετε με την ακμή νήματος, αποφεύγετε πέτρες, τοίχους και άλλα σκληρά αντικείμενα. 2. Προωθείτε τακτικά το νήμα κοπής ώστε να διατηρείτε το πλήρες πλάτος κοπής.
Το γρασίδι τυλιγεται γύρω από την κεφαλή χλοοκοπτικού και από το περιβλημμα μωτέρ.	Κόψτε το ψηλό γρασίδι στο επίπεδο εδάφους.	1. Κόβετε ψηλό γρασίδι από επάνω προς τα κάτω. 2. Μην απομακρύνετε περισσότερα από 20,32 εκ. (8") σε κάθε πέρασμα ώστε να εμποδίσετε περιτύλιξη.
Το νήμα δεν κόβει καλά.	Η λεπίδα κοπής έχει στομώσει.	Τροχίστε τη λεπίδα κοπής με μια λίμα ή αντικαταστήστε την.
Οι δονήσεις αυξάνονται αισθητά.	Το νήμα έχει φθαρεί στη μια πλευρά και δεν προχωράει έγκαιρα.	Βεβαιωθείτε ότι το νήμα και στις δύο πλευρές είναι ίσο. Προχωρήστε το νήμα.

## 8 ΤΕΧΝΙΚΑ ΔΕΔΟΜΕΝΑ

Τάση	40 V
Ταχύτητα χωρίς φορτίο	6300 ±10% rpm(Χλοοκοπτικό), 6800±10% rpm (Θαμνοκοπτικό)
Κεφαλή κοπής	Μηχανισμός τροφοδοσίας / Λεπίδα κοπής θαμνοκοπτικού

Διάμετρος νήματος κοπής	2 mm	
Διάμετρος διαδρομής κοπής	356/406 mm (Χλοοκοπτικό), 254 mm (Θαμνοκοπτικό)	
Βάρος (χωρίς την μπαταρία)	4.5 kg	
Μοντέλο μπαταρίας	G40B2/G40B25/G40B4 και άλλες σειρές BAF	
Μοντέλο φορτιστή	G40C και άλλες σειρές CAF	
Χλοοκοπτική μηχανή	Μέτρηση στάθμης ακουστικής πίεσης	$L_{PA}=78.4 \text{ dB(A)}$ , $K_{PA}= 3 \text{ dB(A)}$
	Εγγυημένη στάθμη ακουστικής ισχύος	$L_{WA,d}=96 \text{ dB(A)}$
	Δόνηση	$<2.5 \text{ m/s}^2$ , $k=1.5 \text{ m/s}^2$
Θαμνοκοπτικό	Μέτρηση στάθμης ακουστικής πίεσης	$L_{PA}=82.8\text{dB(A)}$ , $K=3 \text{ dB(A)}$
	Εγγυημένη στάθμη ακουστικής ισχύος	$L_{WA,d}=101 \text{ dB(A)}$
	Δόνηση	$<2.5\text{m/s}^2$ , $k=1.5\text{m/s}^2$



96 dB. Τιμή θορύβου. (Χλοοκοπτική μηχανή)

101 dB. Τιμή θορύβου. (Θαμνοκοπτικό)

## 9 ΕΓΓΥΗΣΗ

(Οι πλήρεις όροι και προδιαγραφές είναι διαθέσιμα στην Greenworks ιστοσελίδα [www.greenworkstools.eu](http://www.greenworkstools.eu))

Η Greenworks εγγύηση είναι 3 χρόνια για το προϊόν και 2 χρόνια για τις μπαταρίες (καταναλωτική/ιδιωτική χρήση) από την ημερομηνία της αγοράς. Η παρούσα εγγύηση καλύπτει τις κατασκευαστικές βλάβες. Ένα ελαττωματικό προϊόν που καλύπτεται από την εγγύηση μπορεί επιδιορθωθεί ή να αντικατασταθεί. Μια μονάδα που έχει χρησιμοποιηθεί λανθασμένα ή που δεν έχει χρησιμοποιηθεί σύμφωνα με τις περιγραφές στο εγχειρίδιο χρήστη ενδέχεται να μην καλυφθεί από την εγγύηση. Η φυσιολογική φθορά και τα ανταλλακτικά λόγω φθοράς δεν θεωρούνται εγγύηση. Η αρχική εγγύηση του κατασκευαστή δεν επηρεάζεται από

οποιαδήποτε επιπλέον εγγύηση προσφέρεται από το κατάστημα ή τον πωλητή.

Ένα ελαττωματικό προϊόν πρέπει να επιστρέφεται στο σημείο αγοράς για τη διεκδίκηση της εγγύησης, μαζί με το αποδεικτικό αγοράς (απόδειξη).

## 10 Δ'ΗΛΩΣΗ ΣΥΜΜΟΡΦΩΣΗΣ ΕΕ

Όνομα και διεύθυνση κατασκευαστή:

Όνομα: GLOBGRO AB  
Globe Group Europe  
Διεύθυνση: Riggaregatan 53, 211 13 Malmö,  
Σουηδία

Όνομα και διεύθυνση του εξουσιοδοτημένου ατόμου σύνταξης του τεχνικού αρχείου:

Όνομα: Micael Johansson  
Διεύθυνση: Riggaregatan 53, 211 13 Malmö,  
Σουηδία

Στο παρόν δηλώνουμε ότι το προϊόν

Κατηγορία: Χλοοκοπτικό μεσινέζας /  
Θαμνοκοπτικό  
Μοντέλο: 2105707(STF457)  
Αριθμός σειράς: Ανατρέξτε στην ετικέτα του  
προϊόντος  
Έτος κατασκευής: Ανατρέξτε στην ετικέτα του  
προϊόντος

- Συμμορφώνεται με τις σχετικές διατάξεις της Οδηγίας 2006/42/EK σχετικά με τα μηχανήματα.
- Συμμορφώνεται με τις διατάξεις των υπόλοιπων παρακάτω ευρωπαϊκών οδηγιών:
  - 2014/30/EE
  - 2000/14/EK & 2005/88/EK
  - 2011/65/EE & (EE)2015/863

Επιπλέον, δηλώνουμε ότι έχουν χρησιμοποιηθεί τα παρακάτω (μέρη/ρήτρες τους) εναρμονισμένα ευρωπαϊκά πρότυπα:

- EN 60335-1; EN 50636-2-91; EN 62233; EN 55014-1; EN 55014-2 ; EN ISO 3744; EN ISO 3744; ISO 11094; EN ISO 11806-1; IEC 62321-7-2; IEC 62321-4; IEC 62321-5; IEC 62321-6; IEC 62321-7-1; IEC 62321-8; IEC 62321-3-1.

Μέθοδος αξιολόγησης συμμόρφωσης σύμφωνα με το Παράρτημα VI / Οδηγία 2000/14/EK.

Χλοοκοπτικό μεσινέζας

Μετρημένη στάθμη ηχητικής ισχύος:  $L_{WA}$  : 93.3 dB(A)

Εγγυημένη στάθμη ακουστικής ισχύος:

$L_{WA,d}$  : 96 dB(A)

Θαμνοκοπτικό

Μετρημένη στάθμη ηχητικής ισχύος:  $L_{WA}$  : 97.3dB(A)

Εγγυημένη στάθμη ακουστικής ισχύος:

$L_{WA,d}$  : 101dB(A)

Μέρος, ημερομηνία: Υπογραφή: Ted Qu, Διευθυντής Ποιότητας

Malmö, 7.28.2021

Ted Qu

<b>176</b> .....	<b>الصيانة</b>	<b>5</b>	<b>174</b> .....	<b>الوصف</b>	<b>1</b>
176.....	معلومات عامة.....	5.1	174.....	الغرض.....	1.1
176.....	تنظيف الآلة.....	5.2	174.....	لمحة عامة.....	1.2
176.....	استبدال ملف الخيوط.....	5.3	<b>174</b> .....	<b>السلامة</b>	<b>2</b>
176.....	استبدال خيط القطع.....	5.4	<b>174</b> .....	<b>التنصيب</b>	<b>3</b>
176.....	تجميع رأس الجرّازة.....	5.5	174.....	فكّ تغليف الآلة.....	3.1
177.....	نزع رأس الجرّازة.....	5.6	174.....	تركيب الواقي.....	3.2
177.....	استبدال بكرة المصد.....	5.7	174.....	تجميع عمود الإدارة.....	3.3
177.....	تركيب قاطعة الأغصان.....	5.8	175.....	تركيب المقبض الإضافي.....	3.4
177.....	خلع قاطعة الأغصان.....	5.9	175.....	استخدام شريط الكتف.....	3.5
<b>177</b> .....	<b>النقل والتخزين</b>	<b>6</b>	175.....	تركيب مجموعة البطارية.....	3.6
177.....	نقل الآلة.....	6.1	175.....	خلع مجموعة البطارية.....	3.7
177.....	تخزين الآلة.....	6.2	<b>175</b> .....	<b>التشغيل</b>	<b>4</b>
<b>177</b> .....	<b>استكشاف الأعطال وإصلاحها</b>	<b>7</b>	175.....	بدء تشغيل الآلة.....	4.1
<b>178</b> .....	<b>البيانات الفنية</b>	<b>8</b>	175.....	إيقاف الآلة.....	4.2
<b>179</b> .....	<b>الضمان</b>	<b>9</b>	175.....	نصائح التشغيل.....	4.3
	<b>قرار التوافق مع معايير الاتحاد</b>	<b>10</b>	175.....	نصائح الجرّ.....	4.4
<b>179</b> .....	<b>الأوروبي</b>		175.....	ضبط طول خيط القطع.....	4.5
			176.....	ضبط قطر القطع.....	4.6
			176.....	شفرة قطع الخيط.....	4.7

## 1 الوصف

### 1.1 الغرض

هذه الآلة معدة لجزّ الحشائش والعشب الضار الصغير والنايات الشبيهة الأخرى على مستوى الأرض أو حولها. يجب أن يكون لوح القطع موازيًا تقريبًا لسطح الأرض. لا يمكنك استخدام الآلة لجزّ أو قطع سياج الشجيرات والجنابت والأدغال والزهو والسماد المختلط بأوراق الشجر.

### 1.2 لمحة عامة

الشكل التوضيحي 1 - 23.

1	الزناد
2	زر قفل
3	عمود علوي
4	المقبض الإضافي
5	عمود سفلي
6	الواقى
7	شفرة القطع
8	رأس الجرّازة
9	غطاء وقاية
10	الشفرة
11	زر التحرير
12	فتحة ضبط الموضع
13	مفتاح ربط سداسي (الانكيه)
14	بكرة مركزية
15	السدادة
16	الدعامة السفلية
17	غطاء ملف الخيوط
18	ملف الخيوط
19	لسان
20	فتحة خروج الخيط
21	مفتاح ربط
22	صامولة
23	الكوب الخارجي
24	الصامولة المستديرة الخارجية
25	الكوب الداخلي
26	فتحة مجموعة نقل حركة الزاوية
27	بكرة المصد
A	اتجاه الدوران
B	منطقة القص الأفضل
C	منطقة القص الخطيرة

## 2 السلامة

### ⚠ تحذير

أحرص على اتباع جميع تعليمات السلامة.

راجع دليل الأمان.

## 3 التنصيب

### ⚠ تحذير

أخرج مجموعة البطارية من الآلة قبل إجراء أعمال التنصيب.

### ⚠ تحذير

لا تستخدم أي ملحقات غير موصى بها لهذه الآلة.

### 3.1 فك تغليف الآلة

#### ⚠ تحذير

أحرص على تجميع الآلة بشكل صحيح قبل الاستخدام.

#### ⚠ تحذير

- إذا كانت أجزاء من الآلة تالفة، لا تستخدم الآلة.
- إذا كانت هناك أجزاء مفقودة، لا تقم بتشغيل الآلة.
- إذا كانت الأجزاء تالفة أو غير موجودة، تواصل مع مركز الصيانة.

1. افتح عبوة التغليف.
2. اقرأ المستندات المرفقة في الصندوق.
3. أخرج جميع الأجزاء غير المرئية من الصندوق.
4. أخرج الآلة من الصندوق.
5. تخلص من الصندوق ومواد التغليف وفقًا للقوانين المحلية.

#### ⚠ تحذير

لسلامتك الشخصية، لا تقم بتركيب البطارية قبل تجميع الآلة بالكامل

### 3.2 تركيب الواقى

الشكل 2.

#### ⚠ تحذير

لا تلمس شفرات القطع.

1. فك المسامير من رأس الجرّازة باستخدام مفك فيليبس "صلبية" (غير مرفق).
2. ضع الواقى على رأس الجرّازة.
3. قم بمحاذاة فتحات المسمار الموجودة بالواقى مع فتحات المسمار الموجودة برأس الجرّازة.
4. اربط المسامير.
5. ضع غطاء الواقية على الواقى.
6. قم بمحاذاة فتحات المسمار الموجودة بغطاء الواقية مع فتحات المسمار الموجودة بالواقى.
7. اربط المسامير.

### 3.3 تجميع عمود الإدارة

الشكل 3.

1. فك مسمار الوصلة.
2. ادفع زر التحرير للداخل على العمود السفلي.
3. حاذ زر التحرير مع فتحة ضبط الموضع وحرك العمودين.



## 4 التشغيل

### i هام

قبل تشغيل الآلة، اقرأ قواعد السلامة وتعليمات التشغيل وافهمهم.

### ⚠ تحذير

كن حريصاً عند تشغيل الآلة.

### 4.1 بدء تشغيل الآلة

الشكل 7.

1. اضغط على زر القفل واسحب الزناد.

### 4.2 إيقاف الآلة

الشكل 7.

1. اترك الزناد لإيقاف الآلة.

### 4.3 نصائح التشغيل

الشكل 8.

### ⚠ تحذير

حافظ على مسافة بين جسمك والآلة.

### ⚠ تحذير

لا تقم بتشغيل الآلة دون تركيب الواقي.

اتبع هذه النصائح عند استخدام الآلة

- أبقِ الجهاز متصلاً بالحالة التي تم ارتداؤها بشكلٍ صحيح.
- أمسك الآلة بكلتا يديك بإحكام أثناء تشغيلها.
- جرّ الحشائش الطويلة من الأعلى للأسفل.

إذا التفت الحشائش حول رأس الجرّارة:

- انزع وحدة البطارية.
- تخلص من الحشائش.

### 4.4 نصائح الجرّ

الشكل 9.

- قم بإمالة الآلة ناحية المنطقة المراد جرّها. استخدم حافة خيط القطع لجرّ الحشائش.
- حرّك الآلة من اليمين لليسار لمنع تنثر العوالق ناحية مُشعل الآلة.
- لا تقم بالجرّ في المنطقة الخطيرة.
- لا تدفع رأس الجرّارة بقوة زائدة ناحية الحشائش غير المجزّرة.
- تتسبب السباح السلوكية والوتدية في تآكل خيط القطع وانكساره. قد تتسبب الجدران الحجرية والمصنوعة من الطوب، والحواجز الحديدية والخشبية في تآكل خيط القطع بسرعة.

### 4.5 ضبط طول خيط القطع

الشكل 10.

أثناء تشغيل الآلة، يتآكل خيط القطع ويصبح أقصر. يمكنك ضبط طول خيط القطع.

4. أدر العمود السفلي إلى أن يثبت الزر في فتحة ضبط الموضوع.

### i ملاحظة

يجب أن يكون زر التحرير مثبتاً في فتحة ضبط الموضوع. قد يؤدي استخدام الفتحة الخاطئة إلى وقوع إصابات بدنية، أو تلف الوحدة.

5. اربط المسامير بمفتاح ربط سداسي (الأتاكية).

### 3.4 تركيب المقبض الإضافي

الشكل 4.

1. فك البكرة المركزية.
2. اخلع الغطاء والدعامة السفلية.

### i ملاحظة

لا تنس الزنبرك الموجود في الدعامة.

3. ضع المقبض الإضافي في الدعامة السفلية.
4. ركب الغطاء على الدعامة السفلية.
5. ضع الكتلة بأكملها في هيكلها على العمود.
6. اضبط المقبض الإضافي في الوضع المريح.
7. ثبت المقبض الإضافي مع البكرة المركزية.

### 3.5 استخدام شريط الكتف

الشكل 5.

1. ركب الطوق المعنني على حلقة الحمل الموجودة بالعمود.
2. ارتد شريط الكتف.
3. اضبط طول الشريط بحيث يكون الطوق المعنني أسفل وركك الأيمن بطول يساوي عرض راحة اليد.

### 3.6 تركيب مجموعة البطارية

الشكل 6.

### ⚠ تحذير

- إذا كانت مجموعة البطارية أو الشاحن تالفين، فاستبدل التالف منهما.
- أوقف الآلة وانتظر إلى أن يتوقف المحرك قبل تركيب مجموعة البطارية أو خلعها.
- اقرأ التعليمات الواردة في دليل البطارية والشاحن وافهما ونفّذها.

1. قم بمحاذاة دعامات الرفع الموجودة بمجموعة البطارية مع التجاويف الموجودة في حجرة البطارية.
2. ادفع مجموعة البطارية في حجرة البطارية إلى أن تثبت المجموعة في مكانها الصحيح.
3. عندما تسمع صوت نقرة، فهذا معناه أنه قد تم تركيب مجموعة البطارية في مكانها الصحيح.

### 3.7 خلع مجموعة البطارية

الشكل التوضيحي 6.

1. اضغط على زر تحرير البطارية مع التثبيت.
2. اخلع مجموعة البطارية من الآلة.

1. اضرب برأس الجرّارة ناحية الأرض أثناء تشغيل الآلة.
2. يتم تحرير الخيط تلقائيًا وتقطع شفرة القطع أي طول زائد.

#### 4.6 ضبط قطر القطع

الشكل 11.

#### i ملاحظة

الآلة مضبوطة على mm 356 قطر قطع. يمكنك الضبط على mm 406 قطر قطع.  
اضبط قطر القطع على mm 356 لو كنت تشغيل أطول و mm 406 لمنطقة قطع أكبر.

1. انزع وحدة البطارية.
2. فك مسامير الشفرة من شفرة القطع.
3. أدر شفرة القطع بزاوية 180 درجة.
4. اربط مسامير الشفرة بإحكام.

#### 4.7 شفرة قطع الخيط

الشكل 11.

الجرّارة مزودة بشفرة قطع خيط على الواقي. تقوم شفرة قطع الخيط بقطع الخيط باستمرار لضمان الحصول على قطر جزّ متناسق وفعال. قم بدفع الخيط للآمام في أي وقت تسمع فيه المحرك يدور بسرعة أكبر من المعتاد، أو عند تدهور كفاءة الجزّ. هذا سيحافظ على أفضل أداء ويترك الخيط طويلًا كفاية كي يمكن دفعه للآمام كما ينبغي.

#### 5 الصيانة

#### i هام

اقرأ وافهم قواعد السلامة وتعليمات الصيانة قبل تنظيف الآلة أو إصلاحها أو تنفيذ أعمال الصيانة على الآلة.

#### i هام

تأكد من ربط جميع الصواميل والمسامير بإحكام. افحص الآلة بانتظام للتأكد من تركيب المقابض بإحكام.

#### i هام

لا تستخدم سوى الأجزاء والملحقات البديلة الخاصة بالشركة الصانعة فقط.

#### 5.1 معلومات عامة

#### i هام

لا يمكن تنفيذ أعمال الصيانة غير المذكورة في هذا الدليل إلا بواسطة الوكيل أو مركز الصيانة المعتمد.

قبل عمليات الصيانة:

- قم بإيقاف الآلة.
- انزع وحدة البطارية.
- اترك المحرك يبرد.
- حرّن الآلة في مكان بارد وجاف.
- استخدم الملابس وقفازات الواقية ونظارات الأمان المناسبة.

#### 5.2 تنظيف الآلة

- احرص على تنظيف الجهاز بعد كل استخدام بقطعة قماش مبللة مغمورة في مادة منظفة محايدة.
- تجنب استخدام المنظفات أو المذيبات المسببة للتآكل الشديدة "مثل منظفات الزجاج" في تنظيف الأجزاء البلاستيكية أو المقابض.
- حافظ على نظافة رأس الجرّارة من الحشائش أو أوراق الشجر أو الشحم الزائد.
- حافظ على نظافة فتحات الهواء وعدم وجود ما يعيقها لتجنب سخونة المفرطة وتعرّض المحرك للتلف.
- لا تقم برشّ الماء على المحرك أو المكونات الكهربائية.

#### 5.3 استبدال ملف الخيوط

الشكل 12 - 20.

1. ادفع الألسنة على جوانب رأس الجرّارة في نفس الوقت.
2. اسحب غطاء ملف الخيوط واخضعه.
3. أزل الخيط المتبقي.
4. ضع ملف الخيوط في غطاء ملف الخيوط.

#### i ملاحظة

احرص على أن يكون خيط القطع في الفتحة الموجودة بملف الخيوط الجديد، وأن يكون ممتدًا حوالي 15 سم قبل تركيب ملف الخيوط الجديد.

5. ادفع أطراف خيوط القطع عبر الفتحات.
6. مدد خيط القطع لتحريكه من فتحة التوجيه الموجودة بملف الخيوط.
7. ركب ملف الخيوط وغطاء ملف الخيوط على رأس الجرّارة.
8. ادفع غطاء ملف الخيوط إلى أن يثبت في مكانه مع سماع صوت نقرة.

#### 5.4 استبدال خيط القطع

الشكل 14 - 16.

#### i ملاحظة

أدخل خيط القطع المتبقي في ملف الخيوط.

#### i ملاحظة

استخدم فقط خيط القطع المصنوع من النايلون بقطر 2 mm .

1. اقطع قطعة من خيط القطع طولها حوالي 3 سم.
2. قم بثنى الخيط عند نقطة المنتصف وعلّق العروة في الفتحة الموجودة في الإطار المركزي لملف الخيوط. تأكد من ثبات الخيط في مكانه موضعه المناسب في الفتحة.
3. بينما أصبغ بين الخيوط، قم بلف الخيط بشكل متساوٍ وبإحكام حول ملف الخيوط في الاتجاه المشار إليه.
4. ضع الخيوط في فتحات التوجيه.
5. لا تقم بلف الخيوط أبعد من حافة ملف الخيوط.

#### 5.5 تجميع رأس الجرّارة

الشكل 21.

1. ضع العازل بشكلٍ صحيح على العمود.
2. ركب الصامولة المستديرة الداخلية على الكوب الداخلي في الاتجاه المشار إليه.

8. اربط الصامولة عكس اتجاه عقارب الساعة باستخدام مفتاح ربط 19 مم أو 3/4 بوصة (44/58 نيوتن متر).

### 5.9 خلع قاطعة الأغصان

الشكل 22 - 23.

#### ⚠ تحذير

ركب الواقي على الشفرة.

1. ضع مفتاح الربط في فتحة مجموعة نقل حركة الزاوية المعنية.
2. أدر الشفرة وادفع مفتاح الربط إلى أن يتم تشعيق مقناح الربط في فتحة الصامولة المستديرة الداخلية، وهو ما يعيق الدوران.
3. فك الصامولة في اتجاه عقارب الساعة وإخلع الكوب الخارجي.
4. اخلع الصامولة المستديرة الخارجية والشفرة والكوب الداخلي والصامولة المستديرة الداخلية. ولكن بدون خلع العازل من العمود.

### 6 النقل والتخزين

#### 6.1 نقل الآلة

الإجراءات الواجب اتباعها عند نقل الآلة:

- احرص على ارتداء قفازات.
- قم بليفاف الآلة.
- خلع مجموعة البطارية.
- ركب واقي الشفرة.

#### 6.2 تخزين الآلة

- اخلع مجموعة البطارية من الآلة، واشحنها.
- احرص على عدم اقتراب الأطفال من الآلة.
- احتفظ بالآلة بعيداً عن المواد المسببة للتآكل مثل كيماويات الحديقة وملح إذابة الجليد.
- أحكم تأمين الآلة أثناء النقل لتجنب تعرضها للتلف أو تعرض الأشخاص للإصابات. نظف الآلة وافحصها بحثاً عن أي علامات للتلف.

### 7 استكشاف الأعطال وإصلاحها

المشكلة	السبب المحتمل	الحل
لا تبدأ الآلة في العمل بعد الضغط على الزناد.	لا يوجد اتصال كهربائي بين الآلة ومجموعة البطارية.	1. اخلع مجموعة البطارية. 2. تحقق من التوصيلات وركب مجموعة البطارية مرة أخرى.
نفذ شحن مجموعة البطارية.	لم يتم الضغط على زر القفل والزناد في نفس الوقت.	1. اسحب زر القفل مع التثبيت. 2. اسحب الزناد لبدء تشغيل الآلة.

3. احرص على أن تكون التجاويف الموجودة بالصامولة المستديرة الداخلية متحاذاة بشكل مثالي مع تلك الموجودة بمجموعة نقل حركة الزاوية.
4. ضع مفتاح الربط في فتحة مجموعة نقل حركة الزاوية المعنية.
5. أدر رأس الجِزَّازة وادفع مفتاح الربط إلى أن يتم تشعيق مقناح الربط في فتحة الصامولة المستديرة الداخلية، وهو ما يعيق الدوران.
6. قم بجمع رأس الجِزَّازة.
7. أدر رأس الجِزَّازة عكس اتجاه عقارب الساعة لربطها.
8. أزل مفتاح الربط.

#### ١ هام

يجب عليك تركيب شفرة القطع عند استخدامك لرأس الجِزَّازة.

### 5.6 نزع رأس الجِزَّازة

الشكل 21.

1. ضع مفتاح الربط في فتحة مجموعة نقل حركة الزاوية المعنية.
2. أدر رأس الجِزَّازة وادفع مقناح الربط إلى أن يتم تشعيق مقناح الربط في فتحة الصامولة المستديرة الداخلية، وهو ما يعيق الدوران.
3. أدر رأس الجِزَّازة في اتجاه عقارب الساعة لفكها. ولكن بدون خلع العازل من العمود.

### 5.7 استبدال بكرة المصد

الشكل 13.

1. ادفع الألسنة على جوانب رأس الجِزَّازة في نفس الوقت.
2. اسحب غطاء ملف الخيوط وإخلعه.
3. أزل الخيط.
4. أمسك بكرة المصد وإخلعه للخارج بقضيب معدني (غير مرفق).
5. ضع بكرة المصد الجديدة في هيكل ملف الخيوط.

### 5.8 تركيب قاطعة الأغصان

الشكل 22 - 23.

#### ⚠ تحذير

ارتد قفازات واحذر من الحواف الحادة.

#### ⚠ تحذير

ركب الواقي على الشفرة.

1. ضع العازل بشكل صحيح على العمود.
2. ركب الصامولة المستديرة الداخلية على الكوب الداخلي في الاتجاه المشار إليه.
3. احرص على أن تكون التجاويف الموجودة بالصامولة المستديرة الداخلية متحاذاة بشكل مثالي مع تلك الموجودة بمجموعة نقل حركة الزاوية.
4. ركب الشفرة والصامولة المستديرة الخارجية على الجزء المسطح المواجه للشفرة.
5. ركب الكوب الخارجي بدون ربط الصامولة.
6. ضع مفتاح الربط في فتحة مجموعة نقل حركة الزاوية المعنية.
7. أدر الشفرة وادفع مفتاح الربط إلى أن يتم تثبيت الشفرة في فتحة الصامولة المستديرة الداخلية، وهو ما يعيق الدوران.

المشكلة	السبب المحتمل	الحل
تلتف الحشائش حول رأس الجرّاة وهيكال المحرك.	جرّ الحشائش الطويلة عند مستوى الأرض.	1. جرّ الحشائش الطويلة من الأعلى للأسفل. 2. لا تقم بإزالة أكثر من 8 بوصات في كل تمريرة لمنع التشابك.
الخيوط لا يقطع بشكل جيد.	شفرة القطع تصيح ضعيفة.	اشحن شفرة القطع بمبرد أو استبدلها.
الاهتزاز زائد بشكل واضح.	الخيوط متآكل من أحد الجانبين وغير مدفوع للأمام في الوقت المناسب.	تأكد من أنتأكد من تساوي الخيوط على كلا الجانبين.

## 8 البيانات الفنية

40 فولت	الجهد الكهربائي
6300 rpm $\pm 10\%$ (جرّاة الحشائش)، 6800 $\pm 10\%$ rpm (قاطع الأعصان)	السرعة بدون حمل
جهاز المصد/شفرة قاطع الأعصان	رأس الجرّ
2 mm	قطر خيوط الجرّ
356/406mm (جرّاة الحشائش)، 254mm (قاطع الأعصان)	قطر مسار الجرّ
4.5 كجم	الوزن (بدون وحدة البطارية)
BAF الأخرى G40B2/G40B25/G40B4	طرزات البطارية
G40C وسلاس CAF الأخرى	طرزات الشاحن
مستوى ضغط الصوت المقتر ديسيبل (A), $L_{PA}=78.4$ $K_{PA}=3$ دي سيبل (A)	جرّاة العشب
مستوى قوة الصوت المضمون الاهتزاز $L_{WA,d}=96$ دي سيبل (A) $k=1.5$ م/ثانية <sup>2</sup> $k=1.5$ م/ثانية <sup>2</sup>	مستوى قوة الصوت المضمون
مستوى ضغط الصوت المقتر ديسيبل (A), $L_{PA}=82.8$ $K=3$ دي سيبل (A)	قاطع الأعصان
مستوى قوة الصوت المضمون الاهتزاز $L_{WA,d}=101$ دي سيبل (A) $k=1.5$ م/ثانية <sup>2</sup> $k=1.5$ م/ثانية <sup>2</sup>	مستوى قوة الصوت المضمون

96 dB. قيمة الضوضاء (جرّاة العشب)

101 dB. قيمة الضوضاء (قاطع الأعصان)



المشكلة	السبب المحتمل	الحل
الآلة تتوقف أثناء الجرّ.	الواقي غير مركب على الآلة.	اخلع مجموعة البطارية وركب الواقي على الآلة.
تم استخدام خيوط قطع ثقيل.	استخدم فقط خيوط القطع المصنوع من النايلون بقطر 2 mm .	1. قم بليفاف الآلة. 2. انزع وحدة البطارية.
تلتف الحشائش حول عمود المحرك أو رأس الجرّاة.	3. أزل الحشائش من عمود المحرك ورأس الجرّاة.	1. أرفع رأس الجرّاة عن الحشائش. 2. سيعاود المحرك العمل بمجرد التخلص من الحمل الواقع عليه. 3. أثناء الجرّ، حرك رأس الجرّاة داخل الحشائش المراد جرّها وخارجها، ولا تقم بإزالة أكثر من 8 بوصات في كل تمريرة.
هناك حمل زائد على المحرك.	1. ارفع رأس الجرّاة عن الحشائش. 2. سيعاود المحرك العمل بمجرد التخلص من الحمل الواقع عليه. 3. أثناء الجرّ، حرك رأس الجرّاة داخل الحشائش المراد جرّها وخارجها، ولا تقم بإزالة أكثر من 8 بوصات في كل تمريرة.	1. اترك مجموعة البطارية تبرد إلى أن تعود وظائفها للعمل بشكل طبيعي. 2. اترك الآلة تبرد لحوالي 10 دقائق.
مجموعة البطارية أو الآلة ساخنة للغاية.	مجموعة البطارية مفصولة من الآلة.	ركب مجموعة البطارية مرة أخرى.
نفاذ مجموعة البطارية.	اشحن مجموعة البطارية.	اشحن مجموعة البطارية.
الخيوط لا يتحرك للأمام.	الخيوط ملحومة في بعضها البعض.	قم بتزليقها ببخاخ السيليكون.
لا يوجد خيوط كاف في ملفت الخيوط.	الخيوط متآكلة وقصيرة جدًا.	ركب المزيد من الخيوط. ادفع خيوط القطع للأمام.
الخيوط متشابكة على ملفت الخيوط.	الخيوط ملتفتة.	1. أزل الخيوط عن ملفت الخيوط. 2. لفت الخيوط.
الخيوط ينكسر دائمًا.	يتم استخدام الآلة بشكل غير صحيح.	1. يكون الجرّ بحافة الخيوط، وابتعد عن الصخور والحوائط والأشياء الصلبة الأخرى. 2. ادفع خيوط القطع للأمام بانتظام للمحافظة على العرض الكامل للجرّ.

مستوى قوة الصوت المضمنون: L<sub>WA,d</sub> : 96 ديسيبل (A)

قاطع الأغصان

مستوى قوة الصوت المُقَدَّر: L<sub>WA</sub> : 97.3 ديسيبل (A)

مستوى قوة الصوت المضمنون: L<sub>WA,d</sub> : 101 ديسيبل (A)

المكان والتاريخ: التوقيع: تيد كيو، مدير قسم الجودة

Malmö, 7.28.2021

Ted Au

يمكنكم العثور على شروط وأحكام الضمان الكاملة على Greenworks صفحة الويب (www.greenworkstools.eu)

الضمان Greenworks مدته 3 سنوات على المنتج، وستتان على البطاريات (استخدام المستهلك/الاستخدام الخاص) من تاريخ الشراء. هذا الضمان يغطي عيوب الصناعة. قد يتم إصلاح أو استبدال المنتج المعطوب بموجب الضمان. أما استخدام المنتج بشكل خاطئ أو استخدامه لأغراض مختلفة عن تلك المذكورة في دليل المالك قد يؤدي إلى إلغاء الضمان. التآكل بفعل العوامل الطبيعية والأجزاء المتآكلة لا يتم اعتبارها داخل الضمان. لا يتأثر الضمان الأصلي للشركة الصانعة بأي ضمان إضافي يتم تقديمه بواسطة وكيل أو بائع تجزئة.

يجب إعادة المنتج المعطوب إلى نقطة الشراء للمطالبة بالضمان، وأن تحضر معك دليل الشراء (الفاتورة).

## 10 قرار التوافق مع معايير الاتحاد الأوروبي

اسم وعنوان الشركة الصانعة:

الاسم: GLOBGRO AB

Globe Group Europe

العنوان: Riggaregatan 53, 211 13 Malmö, Sweden

اسم وعنوان الشخص المخوّل له جمع الملف الفني:

الاسم: Micael Johansson

العنوان: Riggaregatan 53, 211 13 Malmö, Sweden

بموجب ذلك نعلن أنّ المنتج

الفئة: جرّازة السياج / قاطع الأغصان

الطراز: (STF457)2105707

رقم المسلسل: راجع رقعة تقييم المنتج

سنة تصميم المنتج: راجع رقعة تقييم المنتج

- متوافق مع الأقسام ذات الصلة من توجيه الآلات EC/2006/42.
- متوافق مع أقسام توجيهات الاتحاد الأوروبي الأخرى التالية:

• EU/2014/30

• EC & 2005/88/EC/2000/14

• EU & (EU)2015/863/2011/65

بالإضافة إلى ذلك، نعلن أنّ المعايير المنسقة الأوروبية (أو أجزاء/فقرات منها) التي تم استخدامها هي:

- EN 60335-1; EN 50636-2-91; EN 62233; EN 55014-1; EN 55014-2; EN ISO 3744; EN ISO 3744; ISO 11094; EN ISO 11806-1; IEC 62321-7-2; IEC 62321-4; IEC 62321-5; IEC 62321-6; IEC 62321-7-1; IEC 62321-8; IEC 62321-3-1

طريقة تقييم التوافق بالملحق VI/التوجيه EC/2000/14.

جرّازة السياج

مستوى قوة الصوت المُقَدَّر: L<sub>WA</sub> : 93.3 ديسيبل (A)

<b>1 Açıklama.....</b>	<b>181</b>	4.7 Kesme bıçağını hizalayın.....	183
1.1 Amaç.....	181	<b>5 Bakım.....</b>	<b>183</b>
1.2 Genel bakış.....	181	5.1 Genel bilgiler.....	183
<b>2 Güvenlik.....</b>	<b>181</b>	5.2 Makineyi temizleyin.....	183
<b>3 Kurulum.....</b>	<b>181</b>	5.3 Makarayı değiştirin.....	183
3.1 Makineyi ambalajından çıkarma.....	181	5.4 Kesme misinasını değiştirin.....	184
3.2 Korumayı takın.....	181	5.5 Kesme kafasını birleştirin.....	184
3.3 Şaft montajı.....	182	5.6 Çim biçme makinesinin kafasını çıkarın.	184
3.4 Yardımcı tutma yerinin takın.....	182	5.7 Tampon topuzu yerine koyun.....	184
3.5 Omuz askısını kullanın.....	182	5.8 Fırçalı kesiciyi birleştirin.....	184
3.6 Bataryayı takma.....	182	5.9 Fırçalı kesici çıkarın.....	184
3.7 Aküyü çıkarın.....	182	<b>6 Taşıma ve depolama.....</b>	<b>185</b>
<b>4 Çalışma.....</b>	<b>182</b>	6.1 Makineyi hareket ettirin.....	185
4.1 Makineyi çalıştırın.....	182	6.2 Makineyi depolama.....	185
4.2 Makineyi durdurun.....	182	<b>7 Sorun Giderme.....</b>	<b>185</b>
4.3 Çalışma ipuçları.....	182	<b>8 Teknik veriler.....</b>	<b>186</b>
4.4 Kesme ipuçları.....	182	<b>9 Garanti.....</b>	<b>186</b>
4.5 Kesme misinasının uzunluğunu ayarlayın.....	183	<b>10 AB Uygunluk beyanı.....</b>	<b>186</b>
4.6 Kesme çapını ayarlayın.....	183		

## 1 AÇIKLAMA

### 1.1 AMAÇ

Bu makine çim, hafif yabani otlar ve diğer benzer bitki örtülerinin yer seviyesinde veya yakınında kesilmesinde kullanılır. Kesme düzlemi yere yaklaşık olarak paralel olmalıdır. Çiçleri, çalıkları, çiçekleri ve kompostu kesmek veya doğramak için makineyi kullanamazsınız.

### 1.2 GENEL BAKIŞ

Şekil 1 - 23.

- 1 Tetik
- 2 Kilit açma düğmesi
- 3 Üst şaft
- 4 Yardımcı tutma yeri
- 5 Alt şaft
- 6 Koruma
- 7 Kesme bıçağı
- 8 Kesme kafası
- 9 Koruma başlığı
- 10 Bıçak
- 11 Serbest bırakma düğmesi
- 12 Konumlandırma deliği
- 13 Aiyen anahtar
- 14 Merkezi topuz
- 15 Başlık
- 16 Alt destek
- 17 Makara kapağı
- 18 Makara
- 19 Sekme
- 20 Misina deliği
- 21 İngiliz anahtarı
- 22 Somun
- 23 Dış kap
- 24 Dış halka-somun
- 25 İç kap
- 26 Açık iletim deliği
- 27 Tampon topuzu
- A Rotasyon yönü
- B En iyi kesim alanı
- C Tehlikeli kesim alanı

## 2 GÜVENLİK

### ▲ UYARI

Tüm güvenlik talimatlarına uyduğunuzdan emin olun.

Güvenlik Kılavuzuna bakın.

## 3 KURULUM

### ▲ UYARI

Montajdan önce makineden aküyü çıkarın.

### ▲ UYARI

Bu makine için tavsiye edilmeyen aksesuarları kullanmayın.

### 3.1 MAKINEYİ AMBALAJINDAN ÇIKARMA

### ▲ UYARI

Makineyi kullanmadan önce doğru şekilde monte ettiğinizden emin olun.

### ▲ UYARI

- Makine parçaları hasarlı ise makineyi kullanmayın.
- Parçalar eksikse makineyi çalıştırmayın.
- Parçalar hasarlı veya eksikse servis merkezine başvurun.

1. Paketi açın.
2. Kutunun içindeki belgeleri okuyun.
3. Tüm birleştirilmemiş parçaları kutudan çıkarın.
4. Makineyi kutudan çıkarın.
5. Kutuyu ve paket malzemesini yerel düzenlemelere uygun olarak atın.

### ▲ UYARI

Kişisel güvenliğiniz için aleti tamamen birleştirmeden önce bataryayı takmayın.

### 3.2 KORUMAYI TAKIN

Şekil 2.

### ▲ UYARI

Kesme bıçağına dokunmayın.

1. Bir yıldız tornavidayla (ürünle birlikte verilmez) çim biçme kafasından vidaları sökün.
2. Korumayı çim biçme makinesinin kafasına yerleştirin.
3. Korumadaki vida delikleri ile kesme kafasındaki vida deliklerini hizalayın.
4. Vidaları sıkın.
5. Koruma başlığını korumaya yerleştirin.
6. Koruma başlığındaki vida deliklerini, korumadaki vida delikleriyle hizalayın.
7. Vidaları sıkın.

## 3.3 ŞAFT MONTAJI

Şekil 3.

1. Bağlama kolundaki vidayı gevşetin.
2. Alt şafttaki serbest bırakma düğmesine basın.
3. Serbest bırakma düğmesini konumlandırma deliğiyle hizalayın ve iki şaftı kaydırın.
4. Alt şaft, düğme konumlandırma deliğine kilitlenene kadar çevirin.

### i NOT

Serbest bırakma düğmesi konumlandırma deliğine sabitlenmelidir. Yanlış deliğin kullanılması kişisel yaralanmaya veya ünitenin hasar görmesine neden olabilir.

5. Vidayı alıyan anahtarıyla sıkın.

## 3.4 YARDIMCI TUTMA YERİNİN TAKIN

Şekil 4.

1. Merkezi topuzu gevşetin.
2. Başlığı ve alt desteği çıkarın.

### i NOT

Desteğin yayını kaçırmayın.

3. Yardımcı tutma yerini alt desteğe yerleştirin.
4. Başlığı alt desteğe koyun.
5. Tüm bloğu şaft üzerindeki muhafazasına yerleştirin.
6. Yardımcı kolu rahat pozisyonda ayarlayın.
7. Yardımcı kolu merkezi topuz ile kilitleyin.

## 3.5 OMUZ ASKISINI KULLANIN

Şekil 5.

1. Karabinayı uzatmadaki taşıma halkasına takın.
2. Omuz askısını takın.
3. Kayışın uzunluğunu, karabina sağ kalça altından bir elin genişliği kadar olacak şekilde ayarlayın.

## 3.6 BATARYAYI TAKMA

Şekil 6.

### ▲ UYARI

- Batarya veya şarj cihazı hasarlıysa bataryayı veya şarj cihazını değiştirin.
- Makineyi durdurun ve bataryayı takmadan veya çıkarmadan önce motorun durmasını bekleyin.
- Batarya ve şarj cihazının kılavuzundaki talimatları okuyun, anlayın ve uygulayın.

1. Bataryadaki yükseltme dişlerini batarya bölmesindeki oluklarla hizalayın.

2. Bataryayı yerine oturana kadar batarya bölmesine doğru itin.
3. Bir tık sesi duyduğunuzda batarya takılmıştır.

## 3.7 AKÜYÜ ÇIKARIN

Şekil 6.

1. Akü çıkarma düğmesine basın ve basılı tutun.
2. Aküyü makineden çıkarın.

## 4 ÇALIŞMA

### i ÖNEMLİ

Makineyi çalıştırmadan önce, güvenlik yönetmeliklerini ve çalışma talimatlarını okuyun ve anlayın.

### ▲ UYARI

Makineyi çalıştırırken dikkatli olun.

## 4.1 MAKİNEYİ ÇALIŞTIRIN

Şekil 7.

1. Kilitle açma düğmesine basın ve tetiği çekin.

## 4.2 MAKİNEYİ DURDURUN

Şekil 7.

1. Makineyi durdurmak için tetiği serbest bırakın.

## 4.3 ÇALIŞMA İPUÇLARI

Şekil 8.

### ▲ UYARI

Gövde ve makine arasındaki açıklığı koruyun.

### ▲ UYARI

Makineyi koruma takılı olmadan çalıştırmayın.

**Makineyi kullandığınızda bu ipuçlarından yararlanın**

- Makineyi doğru giyilmiş kıyafetlere bağlı halde tutun.
- Makineyi kullanırken eli elinizle sıkı bir şekilde tutun.
- Yukarıdan aşağı doğru uzun çimleri kesin.

**Çim kesme kafasının etrafına dolanıyorsa:**

- Aküyü çıkarın.
- Çimi çıkartın.

## 4.4 KESME İPUÇLARI

Şekil 9.

- Makineyi kesilecek alana doğru eğin. Çimi kesmek için kesme misinasının ucunu kullanın.



- Operatöre doğru kalıntıların atılmasını önlemek için makineyi sağdan sola doğru hareket ettirin.
- Tehlikeli bölgede kesmeyin.
- Kesme kafasını kesilmemiş çimlere zorlamayın.
- Tel ve tel çitler, kesme misinasının aşınmasına veya kırılmasına neden olabilir. Taş ve tuğla duvarlar, bordürler ve ahşap misinayı hızla aşındırabilirler.

## 4.5 KESME MİSİNASININ UZUNLUĞUNU AYARLAYIN

Şekil 10.

Makineyi kullanırken kesme misinası aşınır ve kısılır. Kesme misinasının uzunluğunu ayarlayabilirsiniz.

1. Makineyi çalıştırırken kesme kafasına yere vurun.
2. Misina otomatik olarak serbest bırakılır ve kesme bıçağı fazlalığı keser.

## 4.6 KESME ÇAPINI AYARLAYIN

Şekil 11.

### i NOT

Makine belli bir 356 mm kesme çapına ayarlanmıştır. Belli bir 406 mm kesme çapına ayarlayabilirsiniz.

Kesme çapını 356 mm daha uzun çalışma zamanı ve 406 mmdaha büyük bir kesim alanı için ayarlayın.

1. Aküyü çıkarın.
2. Kesme bıçağından bıçak vidalarını çıkarın.
3. Kesme bıçağına 180° çevirin.
4. Bıçak vidalarını sıkın.

## 4.7 KESME BIÇAĞINI HIZALAYIN

Şekil 11.

Bu çim biçme makinesi, muhafaza üzerinde bir misina kesme bıçağı ile donatılmıştır. Misina kesme bıçağı, tutarlı ve verimli bir kesim çapı sağlamak için misinayı sürekli olarak keser. Motorun normalden daha hızlı çalıştığını duyduğunuzda veya kesme verimliliği azaldığında misinayı ilerletin. Bu, en iyi performansı koruyacak ve doğru ilerlemek için misinayı yeterince uzun tutacaktır.

## 5 BAKIM

### i ÖNEMLİ

Makinede bakım çalışmalarını yapmadan, temizlemeden, onarmadan veya bakım işlerini yapmadan önce güvenlik yönetmeliklerini ve bakım talimatlarını okuyun ve anlayın.

### i ÖNEMLİ

Tüm somun, civata ve vidaların sıkı olduğundan emin olun. Tutma yerlerini sıkıca taktığınızı düzenli olarak kontrol edin.

### i ÖNEMLİ

Sadece ilk üreticinin yedek parçalarını ve aksesuarlarını kullanın.

## 5.1 GENEL BİLGİLER

### i ÖNEMLİ

Bu kılavuzda belirtilmeyen bakımları yalnızca yetkili satıcınıza veya onaylanmış servis merkeziniz yapabilir.

Bakım işlemlerinden önce:

- Makineyi durdurun.
- Aküyü çıkarın.
- Motoru soğutun.
- Makineyi serin ve kuru bir yerde saklayın.
- Doğru kıyafet, koruyucu eldiven ve koruyucu gözlük kullanın.

## 5.2 MAKİNEYİ TEMİZLEYİN

- Makineyi her kullanımdan sonra nötr deterjanlı suya batırılmış nemli bir bezle temizleyin.
- Plastik parçaları veya tutma yerlerini temizlemek için aşındırıcı deterjanlar veya "cam temizleyicisi gibi" çözücü maddeler kullanmayın.
- Kesme kafasını çim, yaprak veya aşırı yağdan koruyun.
- Aşırı ısınmayı ve motora zarar vermektan kaçınmak için hava deliklerini temiz tutun ve kirden arındırın.
- Motor ve elektrikli parçalara su püskürtmeyin.

## 5.3 MAKARAYI DEĞİŞTİRİN

Şekil 12 - 20.

1. Kesme kafasının yanlarındaki tırnakları aynı anda itin.
2. Makara kapağını çekin ve çıkarın.
3. Kalan makarayı çıkarın.
4. Makarayı makara kapağına yerleştirin.

### i NOT

Yeni makarayı takmadan önce kesme misinasının yeni makaradaki yuvada olduğundan ve yeni makarayı takmadan önce yaklaşık 15 cm uzadığından emin olun.

5. Kesme misinasının uçlarını deliklerden geçirin.
6. Makaradaki kılavuz yuvasından çıkarmak için kesme misinasını uzatın.

7. Makara ve makara kapağını, kesme kafasına takın.
8. Makara kapağını yerine oturuncaya kadar yerine itin.

## 5.4 KESME MISINAINI DEĞİŞTİRİN

Şekil 14 - 16.

### i NOT

Makaradaki kalan kesme misinasını çıkarın.

### i NOT

Sadece 2 mm çapındaki naylon kesme misinası ile kullanın.

1. Yaklaşık 3 m uzunluğunda bir parça kesme misinası kesin.
2. Misinayı orta noktada bükün ve ilmeği makaranın merkezindeki yuvaya takın. Misinanın yuvadaki yerine oturduğundan emin olun.
3. Parmağınızı misinaların arasına koyun, misinaları eşit olarak ve makaranın etrafında belirtilen yönde sıkıca sarın.
4. Misinaları kılavuz yuvalarına yerleştirin.
5. Misinaları makaranın kenarının ötesine sarmayın.

## 5.5 KESME KAFASINI BİRLEŞTİRİN

Şekil 21.

1. Ara parçayı şaftın üzerine doğru şekilde yerleştirin.
2. İç halka-somunu belirtilen yönde iç kabına takın.
3. İç halka-somundaki yivlerin, açılı iletimininkilerle mükemmel şekilde hizalandığından emin olun.
4. Anahtarı belirtilen açılı iletim deliğine yerleştirin.
5. Kesme kafasını çevirin ve anahtar, iç halka-somun deliğine geçene ve rotasyonu engelleyene kadar itin.
6. Kesme kafasını birleştirin.
7. Sıkmak için kesme kafasını saat yönünün tersine çevirin.
8. Anahtarı çıkarın.

### i ÖNEMLİ

Kesme kafasını kullandığınızda kesme bıçağını takmalısınız.

## 5.6 ÇİM BİÇME MAKINESİNİN KAFASINI ÇIKARIN

Şekil 21.

1. Anahtarı belirtilen açılı iletim deliğine yerleştirin.
2. Kesme kafasını çevirin ve anahtar, iç halka-somun deliğine geçene ve rotasyonu engelleyene kadar itin.

3. Düzeltmek için kesme kafasını saat yönünde çevirin. Ara parçayı şafttan çıkarmayın.

## 5.7 TAMPON TOPUZU YERINE KOYUN

Şekil 13.

1. Kesme kafasının yanlarındaki tırnakları aynı anda itin.
2. Makara kapağını çekin ve çıkarın.
3. Makarayı çıkarın.
4. Tampon düğmesini tutun ve bir metal çubukla (birlikte verilmez) kaldırın.
5. Tampon düğmesini makara muhafazasına koyun.

## 5.8 FIRÇALI KESİCİYİ BİRLEŞTİRİN

Şekil 22 - 23.

### ▲ UYARI

Eldiven giyin ve keskin kenarlara dikkat edin.

### ▲ UYARI

Korumayı bıçağa takın.

1. Ara parçayı şaftın üzerine doğru şekilde yerleştirin.
2. İç halka-somunu belirtilen yönde iç kabına takın.
3. İç halka-somundaki yivlerin, açılı iletimininkilerle mükemmel şekilde hizalandığından emin olun.
4. Bıçağı ve dış halka-somunu, düz parça bıçağa bakacak şekilde takın.
5. Somunu sıkmadan dış kabı takın.
6. Anahtarı belirtilen açılı iletim deliğine yerleştirin.
7. Bıçağı çevirin ve bıçak, iç halka-somun deliğine oturacak ve rotasyonu engelleyene kadar anahtarı itin.
8. Somunu saat yönünün tersine 19 mm veya 3/4 inç anahtarla (44/58 Nm) sıkın.

## 5.9 FIRÇALI KESİCİ ÇIKARIN

Şekil 22 - 23.

### ▲ UYARI

Korumayı bıçağa takın.

1. Anahtarı belirtilen açılı iletim deliğine yerleştirin.
2. Bıçağı çevirin ve anahtar iç halka-somun deliğine geçene ve rotasyonu engelleyene kadar anahtarı itin.
3. Somunu saat yönünde gevşetin ve dış kabı çıkarın.
4. Dış halka-somunu, bıçağı, iç kabı ve iç halka somununu çıkarın. Ara parçayı şafttan çıkarmayın.

## 6 TAŞIMA VE DEPOLAMA

### 6.1 MAKİNEYİ HAREKET ETTİRİN

Makineyi taşırken, şunları yapmalısınız:

- Eldiven takın.
- Makineyi durdurun.
- Aküyü çıkarın.
- Bıçak korumasını takın.

### 6.2 MAKİNEYİ DEPOLAMA

- Bataryayı makineden çıkarın ve şarj edin.
- Çocukların makinenin yanına gelemediğinden emin olun.
- Makineyi bahçe kimyasalları ve eritici tuzlar gibi aşındırıcı maddelerden uzak tutun.
- Hasarı veya yaralanmayı önlemek için makineyi taşırken emniyete alın. Makineyi temizleyin ve herhangi bir hasara karşı inceleyin.

## 7 SORUN GIDERME

Sorun	Olası Sebep	Çözüm
Tetik itildiğinde makine çalışmıyor.	Makine ve akü arasında elektrik teması yok.	1. Aküyü çıkarın. 2. Kontakı kontrol edin ve aküyü tekrar takın.
	Akü boşalmış.	Aküyü şarj edin.
	Kilit açma düğmesi ve tetik aynı anda itilmiştir.	1. Kilit açma düğmesini çekin ve basılı tutun. 2. Makineyi başlatmak için tetiği çekin.

Sorun	Olası Sebep	Çözüm
Makine keserken duruyor.	Koruma makineye takılı değil.	Aküyü çıkarın ve korumayı makineye takın.
	Ağır kesme misinası kullanılıyor.	Sadece 2 mm çapındaki naylon kesme misinası ile kullanın.
	Çim, motor şaftının veya kesme kafasının etrafına dolanıyor.	1. Makineyi durdurun. 2. Aküyü çıkarın. 3. Çimi motor şaftından ve kesici kafasından çıkarın.
	Motora aşırı yüklenilmiş.	1. Kesme kafasından çimleri çıkarın. 2. Yük kaldırılır kaldırılmaz motor normale dönecektir. 3. Keserken, kesme kafasını kesilecek çimin içine ve dışına doğru hareket ettirin ve geçište en fazla 8" alın.
Akü veya makine çok sıcak.	Akü veya makine çok sıcak.	1. Aküyü, işlevi normale dönene kadar soğutun. 2. Makineyi yaklaşık 10 dakika soğutun.
	Akü ile aletin bağlantısı kesilmiştir.	Aküyü tekrar takın.
	Akü boşalmış.	Aküyü şarj edin.
	Misina ilerlemiyor.	Misinalar kendilerine kaynaklıdır.
Misinalar çok kısa takılmış.	Makarada yeterli misina yok.	Daha fazla misina takın.
	Misinalar çok kısa takılmış.	Kesme misinasını ilerletin
	Misinalar makaraya karışıyor.	1. Misinayı makaradan çıkarın. 2. Misinaları sar.

Sorun	Olası Sebep	Çözüm
Misina kırılmaya devam ediyor.	Makine yanlış kullanılıyor.	1. Çizginin ucuyla kesin, taşlardan, duvarlardan ve diğer sert nesnelere kaçınin. 2. Tam kesim genişliğini korumak için kesim misinasını düzenli olarak ilerletin.
Çim, biçme kafasının ve motor gövdesinin etrafında dolaşiyor.	Yer seviyesinde uzun çimleri kesin.	1. Yukarıdan aşağı doğru uzun çimleri kesin. 2. Dolaşmayı önlemek için her geçişte en fazla 8" çıkarın.
Misina iyi kesmiyor.	Kesme bıçağı köreliyor.	Kesme bıçağını bir bileyici ile keskinleştirin veya değiştirin.
Titreşim açıkça artıyor.	Misina bir tarafta yıpranmış ve zamanında ilerlememiş.	Her iki taraftaki misinanın eşit olduğundan emin olun. Misinayı ilerlet.

## 8 TEKNİK VERİLER

Voltaj	40 V	
Yüksüz hız	6300 ±10%rpm (Çim biçme makinesi), 6800±10%rpm (Fırçalı kesici)	
Kesme kafası	Tamponlu besleme / Fırçalı kesici bıçağı	
Kesme misinası çapı	2 mm	
Kesme yolu çapı	356/406mm (Çim biçme makinesi), 254mm (Fırçalı kesici)	
Ağırlık (akü hariç)	4.5 kg	
Akü modeli	G40B2/G40B25/G40B4 ve diğer BAF serileri	
Şarj cihazı modeli	G40C ve diğer CAF serileri	
Çim biçme makinesi	Ölçülen ses basınç düzeyi	$L_{PA}=78.4 \text{ dB(A)}$ , $K_{PA}= 3 \text{ dB(A)}$
	Garanti edilen ses güç düzeyi	$L_{WA,d}=96 \text{ dB(A)}$
	Titreşim	$<2.5 \text{ m/s}^2$ , $k=1.5 \text{ m/sn}^2$

Fırçalı kesici	Ölçülen ses basınç düzeyi	$L_{PA}=82.8 \text{ dB(A)}$ , $K=3 \text{ dB(A)}$
	Garanti edilen ses güç düzeyi	$L_{WA,d}=101 \text{ dB(A)}$
	Titreşim	$<2.5 \text{ m/s}^2$ , $k=1.5 \text{ m/sn}^2$



96 dB. Gürültü değerleri. (Çim biçme makinesi)

101 dB. Gürültü değerleri. (Fırçalı kesici)

## 9 GARANTİ

(Tam garanti şartları ve koşulları Greenworks internet sayfasında bulunabilir [www.greenworkstools.eu](http://www.greenworkstools.eu))

Garanti Greenworks satın alma tarihinden itibaren ürün için 3 yıl ve aküler için 2 yıl (tüketici/özel kullanım) geçerlidir. Bu garanti, üretim hatalarını kapsar. Garanti kapsamında olan hatalı bir ürün onarılmış veya değiştirilmiş olabilir. Hatalı veya kullanım kılavuzunda açıklanandan başka şekillerde kullanılmış üniteye ilişkin garanti talebi reddedilebilir. Normal aşınma ve aşınma parçaları garanti kapsamında kabul edilmez. Orijinal üretici garantisini, bir satıcı veya perakendeci tarafından sunulan herhangi bir ek garantiden etkilenmez.

Hatalı bir ürün, garanti talebinde bulunmak için satın alma kanıtı (fatura) ile birlikte satın alma noktasına iade edilmelidir.

## 10 AB UYGUNLUK BEYANI

Üreticinin adı ve adresi:

Ad: GLOBGRO AB

Globe Group Europe

Adres: Riggaregatan 53, 211 13 Malmö, İsveç

Teknik dosyayı derlemek için yetkili kişinin adı ve adresi:

Ad: Micael Johansson

Adres: Riggaregatan 53, 211 13 Malmö, İsveç

İşbu belge ile, bu ürüne ilişkin olarak aşağıdakileri beyan ederiz

Kategori: Misinalı çim biçme makinesi / Fırçalı kesici

Model: 2105707(STF457)

Seri numarası: Ürün derecelendirme etiketine bakın

Yapım Yılı: Ürün derecelendirme etiketine bakın

- 2006/42/EC sayılı Makine Direktifinin ilgili hükümlerine uygundur.
- aşağıdaki diğer AB Direktiflerinin hükümlerine uygundur:
  - 2014/30/EU
  - 2000/14/EC & 2005/88/EC
  - 2011/65/EU & (EU)2015/863

Ayrıca, aşağıdaki uyumlaştırılmış standartlarının (parçalarının/maddelerinin) kullanıldığını beyan ederiz:

- EN 60335-1; EN 50636-2-91; EN 62233; EN 55014-1; EN 55014-2 ; EN ISO 3744; EN ISO 3744; ISO 11094; EN ISO 11806-1; IEC 62321-7-2; IEC 62321-4; IEC 62321-5; IEC 62321-6; IEC 62321-7-1; IEC 62321-8; IEC 62321-3-1.

Uyum değerlendirme metodu Ek VI / Direktifi 2000/14/EC.

Misinalı çim biçme makinesi

Ölçülen ses güç düzeyi:  $L_{WA}$  : 93.3 dB(A)

Garanti edilen ses gücü seviyesi:  $L_{WA,d}$  : 96 dB(A)

Fırçalı kesici

Ölçülen ses güç düzeyi:  $L_{WA}$  : 97.3dB(A)

Garanti edilen ses gücü seviyesi:  $L_{WA,d}$  : 101dB(A)

Yer, tarih: İmza: Ted Qu, Kalite Direktörü

Malmö, 7.28.2021

Ted Qu

<b>191</b> .....	<b>תחזוקה</b>	<b>5</b>
191 .....	מידע כללי.....	5.1
191 .....	ניקוי הכלי.....	5.2
191 .....	החלפת הסליל.....	5.3
191 .....	החלפת חוט החיתוך.....	5.4
192 .....	הרכבת ראש החרמש.....	5.5
192 .....	פירוק ראש החרמש.....	5.6
192.....	החלפת כפתור הנגיעה בקרקע.....	5.7
192.....	הרכבת ראש חיתוך העשב הגבוה.....	5.8
192.....	פירוק ראש חיתוך העשב הגבוה.....	5.9
<b>192</b> .....	<b>הובלה ואחסון</b>	<b>6</b>
192.....	הובלת הכלי.....	6.1
192.....	אחסון המכונה.....	6.2
<b>192</b> .....	<b>פתרון בעיות</b>	<b>7</b>
<b>193</b> .....	<b>מפרט טכני</b>	<b>8</b>
<b>194</b> .....	<b>אחריות</b>	<b>9</b>
	<b>הצהרת תאימות לדרישות</b>	<b>10</b>
<b>194</b> .....	<b>האיחוד האירופי</b>	

<b>189</b> .....	<b>תיאור</b>	<b>1</b>
189.....	מטרה.....	1.1
189.....	מבט כללי.....	1.2
<b>189</b> .....	<b>בטיחות</b>	<b>2</b>
<b>189</b> .....	<b>התקנה</b>	<b>3</b>
189.....	הוצא את המכשיר מהאריזה.....	3.1
189.....	חיבור המגן.....	3.2
189.....	חיבור הצינור.....	3.3
190 .....	חיבור ידית העזר.....	3.4
190.....	השתמש ברצועת הכתף.....	3.5
190 .....	התקן את מארז הסוללה.....	3.6
190.....	הסר את מארז הסוללה.....	3.7
<b>190</b> .....	<b>תפעול</b>	<b>4</b>
190.....	הפעלת הכלי.....	4.1
190.....	כיבוי המכשיר.....	4.2
190.....	עצות להפעלה.....	4.3
190.....	עצות לחיתוך.....	4.4
191.....	כוונן אורך חוט החיתוך.....	4.5
191.....	כוונן קוטר החיתוך.....	4.6
191 .....	להב חיתוך החוט.....	4.7

1 תיאור

1.1 מטרה

כלי זה נועד לחיתוך דשא, עשבים קטנים וסוגי צמחייה דומים בגובה הקרקע. מישור החיתוך חייב להיות מקביל לפני הקרקע כמעט לגמרי. לא ניתן להשתמש בכלי לחיתוך גדר חיה, שיחים, פרחים וקומפוסט.

1.2 מבט כללי

תמונה 1 - 23.

1	מזנק
2	כפתור נעילת בטיחות
3	צינור עליון
4	ידית עזר
5	צינור תחתון
6	מגן
7	להב חיתוך
8	ראש החרמש
9	מכסה מגן
10	להב
11	כפתור שחרור
12	חור מיקום
13	מפתח משושה
14	כפתור מרכזי
15	מכסה
16	תמיכה תחתונה
17	מכסה הסליל
18	סליל
19	לשונית
20	חור לחוט הקיים
21	מפתח כוונן
22	אום
23	מכסה חיצוני
24	אום טבעת חיצונית
25	מכסה פנימי
26	חור תמסורת זוויתית
27	כפתור הנגיעה בקרקע
A	כיוון הסיבוב
B	אזור החיתוך הטוב ביותר
C	אזור חיתוך מסוכן

HE

2 בטיחות

▲ אזהרה

אנא הקפד לציית לכל הוראות הבטיחות.

עיי' במדריך הבטיחות.

3 התקנה

▲ אזהרה

פרק את מארז הסוללה מהכלי לפני ההתקנה.

▲ אזהרה

אל תשתמש באביזרים שלא הומלצו עבור כלי זה.

3.1 הוצא את המכשיר מהאריזה

▲ אזהרה

לפני השימוש וודא שהרכבת את המכשיר נכדרש.

▲ אזהרה

- אם חלקים מסוימים של המכשיר פגומים, אל תשתמש במכשיר.
- אם חסרים חלקים, אל תפעיל את המכשיר.
- אם יש חלקים פגומים או חסרים, פנה למרכז השירות.

1. פתח את האריזה.
2. קרא את המסמכים הנמצאים באריזה.
3. הסר את כל החלקים הלא מורכבים מהאריזה.
4. הסר את המכשיר מהאריזה.
5. יש להשליך את הקופסה ואת חומרי האריזה בהתאם לתקנות המקומיות.

▲ אזהרה

למען ביטחונך האישי, אל תכניס סוללה לפני שהכלי מורכב במלואו.

3.2 חיבור המגן

איור 2.

▲ אזהרה

אל תיגע בלהב החיתוך.

1. פרק את הברגים מראש החרמש בעזרת מברג פיליפס (לא כלול).
2. הנח את המגן על ראש החרמש.
3. התאם את חורי הברגים על המגן כך שיהיו מול חורי הברגים שעל ראש החרמש.
4. הדק את הברגים.
5. הנח את מכסה המגן על המגן.
6. התאם את חורי הברגים על מכסה המגן כך שיהיו מול חורי הברגים שעל המגן.
7. הדק את הברגים.

3.3 חיבור הצינור

איור 3.

1. שחרר את הבורג על המצמד.

2. הסר את מארז הסוללה מהמכשיר.

#### 4 תפעול

##### i חשוב

לפני הפעלת הכלי, קרא והבן את תקנות הבטיחות ואת הוראות התפעול.

##### ▲ אזהרה

היזהר בעת הפעלת הכלי.

#### 4.1 הפעלת הכלי

איור 7.

1. לחץ על לחצן הנעילה ולחץ על ההדק.

#### 4.2 כיבוי המכשיר

איור 7.

1. שחרר את הדק ההפעלה כדי לעצור את המכשיר.

#### 4.3 עצות להפעלה

איור 8.

##### ▲ אזהרה

שמור על מרחק בין הגוף לכלי.

##### ▲ אזהרה

אל תפעיל את הכלי כשהמגן אינו מחובר למקומו.

#### הקפד על העצות הבאות בזמן הפעלת הכלי

- הקפד על חיבור הכלי לרתמה המונחת על הגוף בצורה נכונה.
- בזמן הפעלת הכלי, אחוז בו היטב בשתי הידיים.
- חתוך דשא גבוה מלמעלה למטה.

#### במקרה שדשא מתלפף מסביב לראש החרמש:

- הוצא את מארז הסוללה.
- הסר את הדשא.

#### 4.4 עצות לחיתוך

איור 9.

- הטח את הכלי לכיוון האזור שיש לחתוך אותו. השתמש בקצה חוט החיתוך לחיתוך דשא.
- הנע את הכלי מימין לשמאל כדי למנוע העפת עצמים קטנים לכיוון המפעיל.
- אל תחתוך באזור המוגדר כמסוכן.
- אל תדחוף את ראש החרמש לתוך הדשא הלא חתוך.
- גדרות תיל ומוטות גורמים לשחיקה ולשבירה של חוט החיתוך. חומות אבן ולבנים, שפות מדרכה ועצים עלולים לגרום לשחיקה מהירה של חוט החיתוך.

2. לחץ פנימה את כפתור השחרור על הצינור התחתון.

3. יישר את כפתור השחרור ביחד עם חור המיקום והחלק את שני הצינורות.

4. סובב את הצינור התחתון עד לנעילת הכפתור בתוך חור המיקום.

##### i שים לב

יש לקבוע את כפתור השחרור בתוך חור המיקום. שימוש בחור הלא נכון עלול להוביל לפציעה אישית או נזק ליחידה.

5. הברג את הבורג בעזרת המפתח המשושה.

#### 3.4 חיבור ידית העזר

איור 4.

1. שחרר את הכפתור המרכזי.

2. פרק את המכסה ואת התמיכה התחתונה.

##### i שים לב

אל תאבד את הקפיץ שעל התמיכה.

3. הנח את ידית העזר בתוך התמיכה התחתונה.

4. חבר את המכסה לתמיכה התחתונה.

5. הנח את הבלוק כולו בתוך הבית שלו על הגל (ציר).

6. קבע את ידית העזר במיקום נוח.

7. נעל את ידית העזר בעזרת הכפתור המרכזי.

#### 3.5 השתמש ברצועת הכתף

איור 5.

1. חבר את טבעת החיבור לטבעת הנשיאה על המוט.

2. הכתף את רצועת הכתף.

3. התאם את אורך הרצועה כך שטבעת החיבור תהיה בערך ברוחב של יד מתחת למוט הימנית שלך.

#### 3.6 התקן את מארז הסוללה

איור 6.

##### ▲ אזהרה

- אם מארז הסוללה או המטען פגומים, החלף את מארז הסוללה או את המטען.
- כבה את הכלי וחסה עד לעצירת המנוע לפני התקנה או הסרה של מארז הסוללה.
- הקפד לקרוא, להבין ולבצע את ההוראות שבמדריך הסוללה והמטען.

1. התאם את הצלעות של מארז הסוללה לחריצים בתא הסוללה.

2. דחוף את הסוללה אל תוך תא הסוללה עד שמארז הסוללה יינעל.

3. כשתשמע קליק, זה אומר שמארז הסוללה מותקן במקומו.

#### 3.7 הסר את מארז הסוללה

איור 6.

1. לחץ לחיצה ממושכת על כפתור שחרור הסוללה.



**4.5 כוונן אורך חוט החיתוך**

איור 10.

בעת הפעלת הכלי, חוט החיתוך נשחק ומתקצר. ניתן לכוון את אורך חוט החיתוך.

1. גע בראש החרמש בקרקע בעת הפעלת הכלי.
2. החוט משתחרר אוטומטית ולהב החיתוך חותך את האורך המיותר.

**4.6 כוונן קוטר החיתוך**

איור 11.

**i שים לב**

עבור הכלי נקבע 356 מח קוטר החיתוך. אך ניתן לשנות את 406 מח קוטר החיתוך הזה.

הגדר את קוטר החיתוך 356 מח כדי לשפר את משך הפעולה 406 מחולמהגדיל את אזור החיתוך.

1. הוצא את מארז הסוללה.
2. פרק את בורגי להב החיתוך.
3. סובב את להב החיתוך ב-180°.
4. הדק את בורגי הלהב.

**4.7 להב חיתוך החוט**

איור 11.

החרמש מצויד בלהב חיתוך החוט על המגן. להב חיתוך החוט גוזם את החוט ברציפות כדי להבטיח קוטר גיזום יעיל ועקבי. הארך את החוט בכל פעם שתשמע שהמנוע פועל במהירות גבוהה מהרגיל. כך תשמור על ביצועים מיטביים ועל חוט ארוך דיו כך שיוכל להתקדם כראוי.

**5 תחזוקה**

**i חשוב**

קרא והבן את תקנות הבטיחות ואת הוראות התחזוקה לפני כל ניקוי, תיקון או תחזוקה של הכלי.

**i חשוב**

ודא שכל האומים והברגים הדוקים היטב. בדוק באופן סדיר שהידיות מורכבות היטב.

**i חשוב**

השתמש בחלקי החילוף ובאביזרים של היצרן המקורי.

**5.1 מידע כללי**

**i חשוב**

רק המפיץ או מרכז השירות המורשה יכולים לבצע את עבודות התחזוקה שאינן מופיעות במדריך זה.

לפני ביצוע עבודות תחזוקה:

- עזור את הכלי.
- הוצא את מארז הסוללה.
- תן למנוע להתקרר.
- אחסן את הכלי במקום קריר ויבש.
- השתמש בלבוש מתאים, בכפפות הגנה ובמשקפי בטיחות.

**5.2 ניקוי הכלי**

- נקה את הכלי לאחר כל שימוש בעזרת מטלית לחה הטבולה בחומר ניקוי ניטרלי.
- אל תשתמש בחומרי ניקוי או בחומרים ממסים אגרסיביים, כמו חומר לניקוי זכוכית" לניקוי חלקי הפלסטיק והידיות.
- ודא שראש החרמש נקי מדשא, עלים או עודף גריז.
- ודא שחורי האווור נקיים וחופשיים מעצמים קטנים כדי למנוע חימום-יתר וזנק למנוע.
- אל תתז מים על המנוע והרכיבים החשמליים.

**5.3 החלפת הסליל**

איור 12 - 20.

1. לחץ בו-זמנית על הלשוניות בצדי ראש החרמש.
2. משוך ופרק את מכסה הסליל.
3. הסר את הסליל שנותר.
4. הנח את הסליל במכסה הסליל.

**i שים לב**

לפני התקנת הסליל החדש, ודא שחוט החיתוך מונח בחריץ שעל הסליל החדש, ובלוט בערך 15 ס"מ החוצה.

5. העבר את קצות חוטי החיתוך דרך החורים.
6. משוך את חוט החיתוך כדי לשחרר אותו מהחריץ המוביל שעל הסליל.
7. התקן את הסליל ואת מכסה הסליל על ראש החרמש.
8. דחוף את מכסה הסליל עד שייגעל למקומו בקליק.

**5.4 החלפת חוט החיתוך**

איור 14 - 16.

**i שים לב**

הסר מהסליל את שארית חוט החיתוך.

**i שים לב**

השתמש רק בחוט חיתוך מניילון בקוטר 2 מח.

1. חתוך חתיכת חוט חיתוך באורך של כ-3 מ'.
2. קפל את החוט בנקודת האמצע שלו ולפך את לולאת הקיפול שנוצרה לתוך החריץ שבמרכז הסליל. ודא שהחוט ננעל היטב למקומו על החריץ.
3. בזמן שאצבעך מפרידה בין שני החוטים, סובב אותם מסביב לסליל במידה שווה ובצורה הדוקה בכיוון המצוין.
4. העבר את החוטים דרך החריצים המובילים.
5. אל תלפף את החוטים מעבר לקצה הסליל.

**5.5 הרכבת ראש החרמש**

איור 21.

1. הנח את דסקית הריווח על הגל בצורה נכונה.
2. חבר את אום הטבעת הפנימית למכסה הפנימי בכיוון המצוין.
3. ודא שחריצי אום הטבעת הפנימית מותאמים באופן מושלם לאלה של התמסורת הזוויתית.
4. הנח את מפתח הכוונן בחור התמסורת הזוויתית המצוין.
5. סובב את ראש החרמש ודחוף את מפתח הכוונן עד שיחדור לחור אום הטבעת הפנימית ויחסום את המשך הסיבוב.
6. הרכב את ראש החרמש.
7. סובב את ראש החרמש נגד כיוון השעון כדי להדק אותו.
8. שלוף החוצה את מפתח הכוונן.

**i חשוב**

בעת השימוש בראש החרמש צריך להתקין את להב החיתוך.

**5.6 פירוק ראש החרמש**

איור 21.

1. הנח את מפתח הכוונן בחור התמסורת הזוויתית המצוין.
2. סובב את ראש החרמש ודחוף את מפתח הכוונן עד שיחדור לחור אום הטבעת הפנימית ויחסום את המשך הסיבוב.
3. סובב את ראש החרמש עם כיוון השעון כדי לשחרר אותו. אל תפרק את דסקית הריווח מהגל (ציר).

**5.7 החלפת כפתור הנגיעה בקרקע**

איור 13.

1. לחץ בו-זמנית על הלשונית בצדי ראש החרמש.
2. משוך והסר את מכסה הסליל.
3. הסר את הסליל.
4. החזק את כפתור הנגיעה בקרקע ושלוף אותו החוצה בעזרת מוט מתכת (לא כלול)
5. הכנס את כפתור הנגיעה בקרקע החדש לתוך גוף הסליל.

**5.8 הרכבת ראש חיתוך העשב הגבוה**

איור 22 - 23.

**▲ אזהרה**

לבש כפפות והיזהר מפניות חדות.

**▲ אזהרה**

חבר את המגן ללהב.

1. הנח את דסקית הריווח על הגל בצורה נכונה.
2. חבר את אום הטבעת הפנימית למכסה הפנימי בכיוון המצוין.
3. ודא שחריצי אום הטבעת הפנימית מותאמים באופן מושלם לאלה של התמסורת הזוויתית.
4. חבר את הלהב ואת אום הטבעת החיצונית כאשר החלק השטוח מופנה לכיוון הלהב.

5. חבר את המכסה החיצוני בלי להדק את האום.
6. הנח את מפתח הכוונן בחור התמסורת הזוויתית המצוין.
7. סובב את הלהב ודחוף את מפתח הכוונן עד שלהב יחדור לחור אום הטבעת הפנימית ויחסום את המשך הסיבוב.
8. הדק את האום נגד כיוון השעון בעזרת מפתח 19 מ"מ (3/4 אינץ') (44/58 ניוטון-מ').

**5.9 פירוק ראש חיתוך העשב הגבוה**

איור 22 - 23.

**▲ אזהרה**

חבר את המגן ללהב.

1. הנח את מפתח הכוונן בחור התמסורת הזוויתית המצוין.
2. סובב את הלהב ודחוף את מפתח הכוונן עד שיחדור לחור אום הטבעת הפנימית ויחסום את המשך הסיבוב.
3. שחרר את האום עם כיוון השעון ופרק את המכסה החיצוני.
4. פרק את אום הטבעת החיצונית, הלהב, המכסה הפנימי ואום הטבעת הפנימית. אל תפרק את דסקית הריווח מהגל (ציר).

**6 הובלה ואחסון**

**6.1 הובלת הכלי**

בזמן העברת הכלי, חובה:

- ללבוש כפפות.
- עצור את הכלי.
- הסר את מארז הסוללה.
- להרכיב את מגן הלהב.

**6.2 אחסון המכונה**

- הסר את מארז הסוללה מהמכשיר וטען אותה.
- אחסן הרחק מהשיג ידם של ילדים.
- הרחק את הכלי מחומרים העלולים לגרום לקורוזיה, כגון כימיקלים לגינה ומלח להסרת קרח.
- הדק את הכלי למקומו בזמן הובלה כדי למנוע נזק או פציעה. נקח את הכלי ובדוק שלא נגרם לו נזק.

**7 פתרון בעיות**

בעיה	סיבה אפשרית	פתרון
הכלי לא מתחיל לעבוד אחרי לחיצה על הדק ההפעלה.	אין מגע חשמלי בין הכלי לבין מארז הסוללה.	1. הוצא את מארז הסוללה. 2. בדוק את המגעים והכנס את מארז הסוללה שוב למקומו.
	הסוללה התרוקנה.	טען את מארז הסוללה.
	לא לחצת על כפתור הנגיעה ועל ההדק באותו הזמן.	1. משוך את לחצן הנגיעה והחזק אותו במצב זה. 2. לחץ על ההדק להפעלת הכלי.

פירוט	סיבה אפשרית	בעיה
1. חתוך דשא גבוה מלמעלה למטה. 2. חתוך בכל מעבר לא יותר מ-20 ס"מ כדי למנוע התלפפות.	חתוך דשא גבוה בגובה פני הקרקע.	הדשא מתלפף מסביב לראש החרמש ולבית המנוע.
השחז את להב החיתוך בעזרת משוף או החלף אותו.	להב החיתוך קהה.	החוט אינו חותך היטב.
ודא שהחוט תקיין וודא שהחוט שווה בשני הצדדים.	החוט שחוק בצד אחד ולא נשלף בחוצה בזמן.	מידת הרטט גדלה באופן בולט.

8 מפרט טכני

מתח	V 40
מהירות ללא עומס	6300 ±10% סל"ד (גיזום דשא), 6800 ±10% סל"ד (חיתוך עשב גבוה)
ראש החרמש	הזנת חוט על ידי נגיעה בקרקע / להב חיתוך עשב גבוה
קוטר חוט החיתוך	2 mm
קוטר מסלול החיתוך (חיתוך עשב גבוה)	356/406mm (גיזום דשא), 254mm
משקל (ללא מארז הסוללה)	4.5 ק"ג
דגם הסוללה	G40B2/G40B25/G40B4 וסדרות BAF נוספות
דגם המטען	G40C וסדרות CAF נוספות
גיזום מדשאות	רמת לחץ הקול הנמדדת $L_{PA}=78.4 \text{ dB(A)}$ , $K_{PA}=3 \text{ dB(A)}$
רמת עוצמת הקול המובטחת	$L_{WA,d}=96 \text{ dB(A)}$
רטט	$K > 2.5 \text{ מ"שנייה}^2$ $= 1.5 \text{ מטר/שנייה}^2$
חיתוך עשב גבוה	רמת לחץ הקול הנמדדת $L_{PA}=82.8 \text{ dB(A)}$ , $K=3 \text{ dB(A)}$
רמת עוצמת הקול המובטחת	$L_{WA,d}=101 \text{ dB(A)}$
רטט	$K > 2.5 \text{ מ"שנייה}^2$ $= 1.5 \text{ מטר/שנייה}^2$

96 dB. מידת הרעש. (גיזום מדשאות)



101 dB. מידת הרעש. (חיתוך עשב גבוה)

פירוט	סיבה אפשרית	בעיה
הוצא את מארז הסוללה וחבר את המגן לכלי.	המגן אינו מחובר.	הכלי מפסיק לפעול בזמן החיתוך.
השתמש רק בחוט חיתוך מניילון בקוטר 2 mm.	נעשה שימוש בחוט חיתוך עבה.	
1. עצור את הכלי. 2. הוצא את מארז הסוללה.	הדשא מתלפף מסביב לגל המנוע או לראש החרמש.	
3. הוצא את הדשא מגל המנוע ומראש החרמש.	יש עומס יתר על המנוע.	
1. שחרר את ראש החרמש מהדשא. 2. המנוע יתאושש ויחזור לתפקד כרגיל לאחר הפחתת העומס עליו. 3. בזמן החיתוך, הנע את ראש החרמש פנימה והחוצה מהדשא שצריך לחתוך, וחתוך לא יותר מ-20 ס"מ בכל מעבר.		
1. תן למארז הסוללה להתקרר עד שייחזור לתפקד כרגיל. 2. תן לכלי להתקרר במשך כ-10 דקות.	מארז הסוללה או הכלי חמים מדי.	
חבר שוב את מארז הסוללה.	מארז הסוללה מנותק מהכלי.	
טען את מארז הסוללה.	הסוללה התרוקנה.	
שמן בעזרת תרסיס סיליקון.	החוטים הולחמו זה לזה.	החוט אינו נשלף החוצה.
התקן חוט נוסף.	אין מספיק חוט על הסליל.	
משוך החוצה את חוט החיתוך.	החוטים נשחקו והתקצרו מדי.	
1. הוצא את החוטים מהסליל. 2. לפץ את החוטים.	החוטים הסתבכו זה לזה.	
1. חתוך בעזרת קצה החוט, הימנע מחיצץ ואבנים, מקירות ומעצמים קשים. 2. משוך החוצה את חוט החיתוך באופן סדיר כדי לשמור על רוחב חיתוך מלא.	נעשה שימוש לא נכון בכלי.	החוט נקרע שוב ושוב.

9 אחריות

רמת עוצמת הקול הנמדדת:  $L_{WA} : 93.3 \text{ dB(A)}$   
 רמת עוצמת הקול המובטחת:  $L_{WA,d} : 96 \text{ dB(A)}$

חיתוך עשב גבוה

רמת עוצמת הקול הנמדדת:  $L_{WA} : 97.3 \text{ dB(A)}$   
 רמת עוצמת הקול המובטחת:  $L_{WA,d} : 101 \text{ dB(A)}$

מקום, תאריך: חתימה: טד קו, אחראי איכות  
 Malmö, 7.28.2021

Ted Qu

התנאים וההתניות המלאים של האחריות נמצאים Greenworks (www.greenworkstools.eu) דף האינטרנט

האחריות Greenworks הינה ל-3 שנים על המוצר ו-2 שנים על הסוללות (שימוש צרכני/אישי) מתאריך הרכישה. אחריות זו מכסה פגמים בייצור. מכשיר פגום תחת האחריות עשוי להיות מתוקן או מוחלף. יחידה אשר נעשה בה שימוש לא הולם באופנים אחרים מאלו המתוארים במדריך למשתמש עשויים להידחות מהאחריות. בלאי רגיל, וחלקים שהתבלו אינם נחשבים באחריות. אחריות היצרן המקורית אינה מושפעת מכל אחריות נוספת המוצעת על ידי סוחר או קמעונאי.

יש להחזיר מוצר פגום לנקודת הרכישה כדי לתבוע בגין אחריות, יחד עם הוכחת הרכישה (קבלה).

10 הצהרת תאימות לדרישות האיחוד האירופי

שם וכתובת היצרן:

GLOBGRO AB שם:

Globe Group Europe

Riggaregatan 53, 211 13 Malmö, Sweden כתובת:

שם וכתובת הגורם המוסמך לעריכת המפרט הטכני:

Micael Johansson שם:

Riggaregatan 53, 211 13 Malmö, Sweden כתובת:

אנו מצהירים בזאת כי המוצר

קטגוריה חרמש חשמלי / חיתוך עשב גבוה  
 דגם: (STF457)2105707  
 מספר סידורי: ראה את תונית דירוג המוצר  
 שנת הייצור: ראה את תונית דירוג המוצר

- עומד בדרישות הרלוונטיות של הנחיית הציוד EC/2006/42.
- עומד בדרישות ההנחיות הבאות של האיחוד האירופי:

- EU/2014/30
- EC & 2005/88/EC/2000/14
- EU & (EU)2015/863/2011/65

יתר על כן, אנו מצהירים כי יש לנו מבוסס על (חלקים / חלקים) הבאים של תקנים הרמוניים:

- EN 60335-1; EN 50636-2-91; EN 62233; EN 55014-1; EN 55014-2; EN ISO 3744; EN ISO 3744; ISO 11094; EN ISO 11806-1; IEC 62321-7-2; IEC 62321-4; IEC 62321-5; IEC 62321-6; IEC 62321-7-1; IEC 62321-8; IEC 62321-3-1

שיטת הערכת התאימות על-פי נספח VI/הנחיה EC/2000/14.

חרמש חשמלי

<b>1</b>	<b>Aprašymas.....</b>	<b>196</b>	<b>5</b>	<b>Techninė priežiūra.....</b>	<b>198</b>
1.1	Paskirtis.....	196	5.1	Bendroji informacija.....	198
1.2	Apžvalga.....	196	5.2	Žoliapjovės valymas.....	198
<b>2</b>	<b>Sauga.....</b>	<b>196</b>	5.3	Ritės keitimas.....	198
<b>3</b>	<b>Montavimas.....</b>	<b>196</b>	5.4	Pjovimo lynelio keitimas.....	199
3.1	Įrenginio išpakavimas.....	196	5.5	Žoliapjovės galvutės surinkimas.....	199
3.2	Apsaugos montavimas.....	196	5.6	Žoliapjovės galvutės nuėmimas.....	199
3.3	Koto surinkimas.....	197	5.7	Lynelio prailginimo galvutės keitimas.....	199
3.4	Pagalbinės rankenos montavimas.....	197	5.8	Krūmapjovės sumontavimas.....	199
3.5	Peties diržo naudojimas.....	197	5.9	Krūmapjovės nuėmimas.....	200
3.6	Akumulatoriaus įstatymas.....	197	<b>6</b>	<b>Gabenimas ir sandėliavimas..</b>	<b>200</b>
3.7	Akumulatoriaus išėmimas.....	197	6.1	Prietaiso perkėlimas.....	200
<b>4</b>	<b>Eksploatavimas.....</b>	<b>197</b>	6.2	Įrenginio laikymas.....	200
4.1	Įrankio paleidimas.....	197	<b>7</b>	<b>Sutrikimų nustatymas ir</b>	
4.2	Įrankio sustabdymas.....	197		<b>šalinimas.....</b>	<b>200</b>
4.3	Eksploatavimo patarimai.....	197	<b>8</b>	<b>Techniniai duomenys.....</b>	<b>201</b>
4.4	Pjovimo patarimai.....	198	<b>9</b>	<b>Garantija.....</b>	<b>202</b>
4.5	Pjovimo lynelio ilgio reguliavimas.....	198	<b>10</b>	<b>EB atitikties deklaracija.....</b>	<b>202</b>
4.6	Pjovimo skersmens reguliavimas.....	198			
4.7	Lynelio nukirtimo peilis.....	198			

## 1 APRAŠYMAS

### 1.1 PASKIRTIS

Ši žoliapjovė yra skirta žolės, nesumedėjusių piktžolių ir kitos panašios augmenijos pjovimui pažeme. Pjovimo plokštuma turėtų būti lygiagreti žemės paviršiui. Žoliapjovės negalima naudoti gyvatvorių, krūmokšnių, krūmynų, gėlių ir komposto pjovimui ir kapojimui.

### 1.2 APŽVALGA

*Paveikslas 1 - 23.*

- 1 Gaidukas
- 2 Blokavimo išjungimo mygtukas
- 3 Viršutinė koto dalis
- 4 Papildoma rankena
- 5 Apatinė koto dalis
- 6 Apsauga
- 7 Lynelio nukirtimo peilis
- 8 Žoliapjovės galvutė
- 9 Apsaugos dangtelis
- 10 Geležė
- 11 Atkabinimo mygtukas
- 12 Fiksavimo anga
- 13 Šešiabriaunis raktas
- 14 Centrinis mygtukas
- 15 Dangtelis
- 16 Apatinė atrama
- 17 Ritės gaubtas
- 18 Ritė
- 19 Auselė
- 20 Lyno išėjimo anga
- 21 Raktas
- 22 Veržlė
- 23 Išorinis gaubtas
- 24 Išorinė apvali veržlė
- 25 Vidinis gaubtas
- 26 Kampinės pavaros anga
- 27 Į žemę nuspaudžiamas lynelio padavimo mygtukas
- A Sukimosi kryptis
- B Geriausia pjovimo zona
- C Pavojiinga pjovimo zona

## 2 SAUGA

### ▲ ĮSPĖJIMAS

Privaloma laikytis visų saugos instrukcijų.

Žr. saugos vadovą.

## 3 MONTAVIMAS

### ▲ ĮSPĖJIMAS

Prieš montavimą išimkite akumuliatorių iš prietaiso.

### ▲ ĮSPĖJIMAS

Nenaudokite priedų, kurie nėra rekomenduojami naudoti su šiuo prietaisu.

### 3.1 ĮRENGINIO IŠPAKAVIMAS

### ▲ ĮSPĖJIMAS

Prieš pradėdami naudoti patikrinkite, ar tinkamai surinkote įrenginį.

### ▲ ĮSPĖJIMAS

- Jeigu yra pažeistų dalių, įrenginio nenaudokite.
- Jei trūksta dalių, įrenginio nenaudokite.
- Jeigu dalys pažeistos arba jų trūksta, kreipkitės į techninės priežiūros centrą.

1. 1. Atidarykite pakuotę.
2. 2. Perskaitykite dėžėje esančius dokumentus.
3. 3. Iš dėžės išimkite visas nesumontuotas dalis.
4. 4. Išimkite įrenginį iš dėžės.
5. 5. Dėžę ir pakavimo medžiagas išmeskite laikydami visi galiojančių atliekų tvarkymo reikalavimų.

### ▲ ĮSPĖJIMAS

Dėl savo saugumo bateriją prijunkite tik iki galo surinkę visą įrankį.

### 3.2 APSAUGOS MONTAVIMAS

*Ilustracija 2.*

### ▲ ĮSPĖJIMAS

Nelieskite lynelio nukirtimo peilio.

1. Kryžminiu atsuktuvu (nepateikiamas) išsukite sraigtus iš žoliapjovės galvutės.
2. Apsaugą uždėkite ant žoliapjovės galvutės.
3. Apsaugos angas sulyginkite su žoliapjovės galvutės angomis.
4. Priveržkite sraigtus.
5. Apsaugos dangtelį uždėkite ant apsaugos.
6. Sulyginkite apsaugos dangtelio angas su apsaugos angomis.
7. Priveržkite sraigtus.

## 3.3 KOTO SURINKIMAS

### 3. paveikslas

1. Atlaisvinkite movos varžtą.
2. Paspauskite apatinės koto dalies atkabavimo mygtuką.
3. Sulyginkite atkabavimo mygtuką su fiksavimo anga ir sujunkite abiejų kotų dalis.
4. Sukite apatinę koto dalį iki mygtukas užsifiksuos fiksavimo angoje.

### i PASTABA

Atkabavimo mygtukas turi būti užsifiksuotas fiksavimo angoje. Jei anga bus kita, galite susižaloti ar sugadinti įrenginį.

5. Varžtą priveržkite šešiabriauniu raktu.

## 3.4 PAGALBINĖS RANKENOS MONTAVIMAS

### Ilustracija 4.

1. Atlaisvinkite centrinę reguliavimo rankenėlę.
2. Nuimkite dangtelį ir apatinę atramą.

### i PASTABA

Nepameskite atramoje esančios spyruoklės.

3. Pagalbinę rankeną uždėkite ant apatinės atramos.
4. Ant apatinės atramos uždėkite dangtelį.
5. Visą bloką įstatykite į korpusą ant veleno.
6. Pagalbinę rankeną perstatykite į patogią padėtį.
7. Pagalbinę rankeną užfiksuokite naudodami centrinę reguliavimo rankenėlę.

## 3.5 PETIES DIRŽO NAUDOJIMAS

### Paveikslas 5.

1. Karabiną užkabinkite už ant koto esančio pernešimui skirtą žiedo.
2. Užsidėkite peties diržą.
3. Sureguliuokite peties diržo ilgį, kad karabinas būtų per delno plotį žemiau dešiniojo klubo.

## 3.6 AKUMULIATORIAUS ĮSTATYMAS

### Paveikslas 6.

### ▲ ĮSPĖJIMAS

- Jei sugadintas akumuliatorius arba įkroviklis, pakeiskite akumuliatorių arba įkroviklį.
- Prieš įstatydami arba išimdami akumuliatorių, sustabdykite įrenginį ir palaukite, kol sustos variklis.
- Perskaitykite, supraskite ir vadovaukitės akumuliatoriaus ir įkroviklio vadovo instrukcijomis.

1. Sulyginkite akumuliatoriaus briauneles su akumuliatoriaus skyriaus grioveliais.
2. Įstatykite akumuliatorių į akumuliatorių skyrių iki galo, iki jis užsifiksuos.
3. Kai išgirsite spragtelėjimą, tai reikš, kad akumuliatorius įstatė.

## 3.7 AKUMULIATORIAUS IŠĖMIMAS

### 6. pav.

1. Nuspauskite ir laikykite akumuliatoriaus atkabavimo mygtuką.
2. Išimkite akumuliatorių iš prietaiso.

## 4 EKSPLOATAVIMAS

### i SVARBU

Prieš pradėdami eksploatuoti prietaisą, perskaitykite ir supraskite saugos reikalavimus ir eksploatavimo instrukcijas.

### ▲ ĮSPĖJIMAS

Būkite atsargūs eksploatuodami prietaisą.

## 4.1 ĮRANKIO PALEIDIMAS

### Paveikslas 7.

1. Paspauskite blokuotės išjungimo mygtuką ir nuspauskite pagrindinį jungiklį.

## 4.2 ĮRANKIO SUSTABDYMAS

### Paveikslas 7.

1. Atleiskite pagrindinį jungiklį, kad elektrinis įrankis sustotų.

## 4.3 EKSPLOATAVIMO PATARIMAI

### Ilustracija 8.

### ▲ ĮSPĖJIMAS

Išlaikykite atstumą tarp kūno ir žoliapjovės.

### ▲ ĮSPĖJIMAS

Nenaudokite žoliapjovės, jeigu nėra sumontuota apsauga.

**Kai eksploatuojate žoliapjovę, vadovaukitės toliau pateikiamais patarimais**

- Žoliapjovę užkabinkite už tinkamai dėvimo pečių diržo.
- Kai pjaunate su žoliapjove, ją laikykite tvirtai abejomis rankomis.
- Aukštą žolę pjaukite iš viršaus į žemyn.

## Jeigu žolė apsvynios aplink žoliapjovės galvutę:

- Išimkite akumuliatorių bloką.
- Pašalinkite žolę.

## 4.4 PJOVIMO PATARIMAI

*Ilustracija 9.*

- Pakreipkite žoliapjovę link pjaunamo ploto. Žolės pjovimui naudokite pjovimo lynelio galą.
- Žoliapjovę veskite iš dešinės į kairę, kad išvengtumėte purvo išsviedimo į operatorių.
- Nepjaukite pavojingose zonoje.
- Nestumkite žoliapjovės galvutės į nenupjautą žolę naudodami jėgą.
- Liesdamasis į vielines ir statinių tvoras pjovimo lynelis susidėvi ir nutrūksta. Liesdamasis į akmenines ir mūro sienas, bortelius ir medinius elementus, pjovimo lynelis greičiau dėvisi.

## 4.5 PJOVIMO LYNELIO ILGIO REGULIAVIMAS

*Ilustracija 10.*

Žoliapjovės naudojimo metu pjovimo lynelis dėvisi ir trumpėja. Galite reguliuoti pjovimo lynelio ilgį.

1. Stuktelėkite žoliapjovės galvutę į žemę kai žoliapjovė veikia.
2. Lynelis yra automatiškai pailginamas, o lynelio nukirtimo peilis nukerta lynelio perteklių.

## 4.6 PJOVIMO SKERSMENS REGULIAVIMAS

*Ilustracija 11.*

### i PASTABA

Žoliapjovė yra sureguliuotas 356 mm pjovimo skersmeniui. Galite nustatyti 406 mm pjovimo skersmenį.

Pjovimo skersmenį nustatykite 356 mm ilgesniam eksploatavimui be sutrikimų laikui ir 406 mm didesniajam pjovimo plotui.

1. Išimkite akumuliatorių bloką.
2. Išsukite lynelio nukirtimo peilio tvirtinimo sraigtus.
3. Apsukite lynelio nukirtimo peilį 180° kampu.
4. Priveržkite peilio sraigtus.

## 4.7 LYNELIO NUKIRTIMO PEILIS

*Paveikslas 11.*

Ant žoliapjovės apsaugos sumontuotas lynelio nukirtimo peilis. Lynelio nukirtimo peilis nuolat trumpina lynelį, kad nesikeistų tinkamiausias pjovimo zonos plotas. Išleiskite daugiau lynelio, kai išgirsite didesniais sūkais nei

įprastai dirbančių žoliapjovės variklį, arba kai sumažėja pjovimo našumas. Tokiu būdu palaikysite optimalaus ilgio lynelį ir didžiausią pjovimo našumą.

## 5 TECHNINĖ PRIEŽIŪRA

### i SVARBU

Perskaitykite ir supraskite saugos reikalavimus ir techninės priežiūros instrukcijas prieš atlikdami žoliapjovės valymo, remonto arba techninės priežiūros darbus.

### i SVARBU

Patikrinkite ar visi varžtai, veržlės ir sraigtai yra priveržti. Reguliariai tikrinkite, ar rankenos yra tvirtai sumontuotos.

### i SVARBU

Naudokite tik gamintojo pateikiamas atsargines dalis ir priedus.

## 5.1 BENDROJI INFORMACIJA

### i SVARBU

Tik jūsų atstovas arba patvirtintas techninės priežiūros centras gali atlikti techninę priežiūrą, kuri nėra aprašyta šiame vadove.

Prieš atlikdami techninės priežiūros darbus:

- Sustabdykite mašiną.
- Išimkite akumuliatorių bloką.
- Leiskite varikliui atvėsti.
- Žoliapjovę laikykite sausoje vietoje.
- Dėvėkite tinkamus drabužius ir apsauginius akinius, bei mūvėkite apsaugines pirštines.

## 5.2 ŽOLIAPJOVĖS VALYMAS

- Kiekvieną kartą po naudojimo įrenginį nuvalykite drėgnu skudurėliu, suvilgytu neutralaus vaiklio tirpale.
- Plastikinių dalių ar rankenų nevalykite esdinančiomis valymo priemonėmis ar tokiais tirpikliais, kaip langų valikliai.
- Užtikrinkite, kad ant žoliapjovės galvutės nebūtų žolės, lapų arba tepalo pertekliaus.
- Oro įsiurbimo angos turi būti švarios ir be šiukšlių, kad variklis neperkaistų ir nesugestų.
- Nepurškite vandens ant variklių ir elektrinių komponentų.

## 5.3 RITĖS KEITIMAS

*Ilustracija 12 - 20.*



1. Vienu metu paspauskite žoliapjovės galvutės šonuose esančias auseles.
2. Patraukite ir nuimkite ritės gaubtą.
3. Išimkite likusią ritę.
4. Ritę įdėkite į ritės gaubtą.

## **i PASTABA**

Prieš sumontuodami naują ritę įsitikinkite, kad pjovimo lynelis įstatytas į naujos ritės griovelį ir išsikišęs apie 15 cm.

5. Pjovimo lynelio galus praverkite pro angas.
6. Patraukite už pjovimo lynelio galų, kad ištrauktumėte lynelį iš ritės griovelio.
7. Ant žoliapjovės galvutės uždėkite ritę ir ritės dangtelį.
8. Spauskite ritės dangtelį iki jis užsifiksuos.

## **5.4 PJOVIMO LYNELIO KEITIMAS**

*Ilustracija 14 - 16.*

## **i PASTABA**

Nuo ritės pašalinkite likusį pjovimo lynelį.

## **i PASTABA**

Naudokite tik nailoninį pjovimo lynelį, 2 mm skersmens.

1. Atkirpkite apie 3 m ilgio lynelį.
2. Lynelį ties viduriu sulenkite ir kilpą įstatykite į ritės centre esantį griovelį. Įsitikinkite, kad lynelis įsistatė griovelyje.
3. Pirštus laikydami tarp lynelių vienodai ir tvirtai užvyniokite vijas nurodytomis kryptimis.
4. Lynelius įstatykite į kreipiančiuosius griovelius.
5. Lynelių nevyniokite virš ritės kraštų.

## **5.5 ŽOLIAPJOVĖS GALVUTĖS SURINKIMAS**

*Ilustracija 21.*

1. Ant veleno tinkamai uždėkite tarpiklį.
2. Pritvirtinkite vidinę apvalią veržlę prie vidinio dangtelio nurodyta kryptimi.
3. Įsitikinkite, kad vidinės apvalios veržlės grioveliai sutampa su kampinės pavaros grioveliais.
4. Veržliaraktį įstatykite į nurodytą kampinės pavaros angą.
5. Pasukite žoliapjovės galvutę ir įstumkite veržliaraktį iki jis įsistatys į vidinę apvalios veržlės angą, taip stabdydamas sukimąsi.
6. Sumontuokite žoliapjovės galvutę.

7. Tam, kad priveržtumėte, sukite žoliapjovės galvutę prieš laikrodžio rodyklę.
8. Išimkite veržliaraktį.

## **i SVARBU**

Kai naudojate žoliapjovės galvutę, privalote sumontuoti lynelio nukirtimo peilį.

## **5.6 ŽOLIAPJOVĖS GALVUTĖS NUĖMIMAS**

*Ilustracija 21.*

1. Veržliaraktį įstatykite į nurodytą kampinės pavaros angą.
2. Pasukite žoliapjovės galvutę ir įstumkite veržliaraktį iki jis įsistatys į vidinę apvalios veržlės angą, taip stabdydamas sukimąsi.
3. Tam, kad atlaisvintumėte žoliapjovės galvutę, sukite ją pagal laikrodžio rodyklę. Nuo veleno nenuimkite tarpiklio.

## **5.7 LYNELIO PRAILGINIMO GALVUTĖS KEITIMAS**

*Paveikslas 13.*

1. Vienu metu paspauskite žoliapjovės galvutės šonuose esančias auseles.
2. Patraukite ir nuimkite ritės dangtelį.
3. Išimkite ritę.
4. Laikydami lynelio prailginimo galvutę, atkelkite ją metaliniu strypeliu (komplekte nėra).
5. Įstatykite į ritės korpusą naują lynelio prailginimo galvutę.

## **5.8 KRŪMAPJOVĖS SUMONTAVIMAS**

*Ilustracija 22 - 23.*

## **▲ ĮSPĖJIMAS**

Dėvėkite pirštines ir saugokitės aštrių briaunų.

## **▲ ĮSPĖJIMAS**

Ant peilio uždėkite apsaugą.

1. Ant veleno tinkamai uždėkite tarpiklį.
2. Pritvirtinkite vidinę apvalią veržlę prie vidinio dangtelio nurodyta kryptimi.
3. Įsitikinkite, kad vidinės apvalios veržlės grioveliai sutampa su kampinės pavaros grioveliais.
4. Peilį tvirtinkite išorine apvalia veržle, kurios lygi pusė turi būti nukreipta į peilį.
5. Uždėkite išorinį dangtelį, bet nepriveržkite veržlės.

- Veržliaraktį įstatykite į nurodytą kampinės pavaros angą.
- Pasukite peilį ir įstumkite veržliaraktį iki peilis įsistatys į vidinę apvalios veržlės angą, taip stabdydamas sukimąsi.
- Veržlę priveržkite sukdami prieš laikrodžio rodyklę ir naudodami 19 mm arba 3/4 colio veržliaraktį (44/58 Nm).

## 5.9 KRŪMAPJOVĖS NUĖMIMAS

Ilustracija 22 - 23.

### ▲ ĮSPĖJIMAS

Ant peilio uždėkite apsaugą.

- Veržliaraktį įstatykite į nurodytą kampinės pavaros angą.
- Pasukite peilį ir įstumkite veržliaraktį iki jis įsistatys į vidinę apvalios veržlės angą, taip stabdydamas sukimąsi.
- Atlaisvinkite veržlę sukdami ją pagal laikrodžio rodyklę ir nuimkite išorinį gaubtą.
- Atsukite išorinę apvalią veržlę, nuimkite peilį, vidinį dangtelį ir atsukite vidinę apvalią veržlę. Nuo veleno nenuimkite tarpiklio.

## 6 GABĖNIMAS IR SANDĖLIAVIMAS

### 6.1 PRIETAISO PERKĖLIMAS

Kai perkeliate žoliapjovę, privalote:

- Mūvėti pirštines.
- Sustabdyti mašiną.
- Akumuliatoriaus išėmimas.
- Uždėkite peilio apsaugą.

### 6.2 ĮRENGINIO LAIKYMAS

- Atjunkite sudėtinę bateriją nuo įrankio ir įkraukite.
- Laikykite vaikams neprieinamoje vietoje.
- Įrenginį laikykite atokiau nuo esdinančių medžiagų, pvz., sodo chemikalų ir ledo tirpinimo druskos.
- Gabenamą įrenginį įtvirtinkite, kad išvengtumėte turto sugadinimo arba sužalojimo. Nuvalykite žoliapjovę ir patikrinkite, ar nėra pažeidimų.

## 7 SUTRIKIMŲ NUSTATYMAS IR ŠALINIMAS

Problema	Galima priežastis	Sprendimas
Paspaudus gaiduką žoliapjovė nepasileidžia.	Nėra elektros kontakto tarp žoliapjovės ir akumuliatoriaus bloko.	1. Išimkite akumuliatorių bloką. 2. Patikrinkite kontaktus ir įstatykite atgal akumuliatoriaus bloką.
	Išsikrovęs akumuliatoriaus blokas.	Įkraukite akumuliatorių bloką.
	Blokavimo išjungimo mygtukas ir gaidukas nėra paspaudžiami vienu metu.	1. Palaikykite paspaudę blokavimo išjungimo mygtuką. 2. Nuspauskite gaiduką, kad įjungtumėte prietaisą.

Problema	Galima priežastis	Sprendimas
Pjaunant sustoja žoliapjovė.	Apsauga neuždėta ant žoliapjovės.	Nuimkite akumuliatorių bloką ir pritvirtinkite apsaugą prie žoliapjovės.
	Naudojama per daug tvirtas pjovimo lynelis.	Naudokite tik nailoninį pjovimo lynelį, 2 mm skersmens.
	Žolė apsvynioja aplink variklio veleną arba žoliapjovės galvutę.	1. Sustabdykite mašiną. 2. Išimkite akumuliatorių bloką. 3. Nuo variklio veleno ir žoliapjovės galvutės pašalinkite žolę.
	Variklio perkrova.	1. Nuo žoliapjovės galvutės pašalinkite žolę. 2. Variklis vėl pradės veikti pašalinus perkrovos priežastį. 3. Kai pjaunate, žoliapjovės galvutę artinkite link žolės ir atitraukite atgal, kad vienu praėjimu nupjautumėte ne daugiau kaip 8 colius.
	Per daug įkaitęs akumuliatorių blokas arba žoliapjovė.	1. Leiskite atvėsti akumuliatorių blokui iki jį bus galima naudoti toliau. 2. Leiskite žoliapjovei vėsti apie 10 minučių.
	Akumuliatorių blokas yra atjungtas nuo žoliapjovės.	Įstatykite atgal akumuliatorių bloką.
Išsikrovęs akumuliatoriaus blokas.	Įkraukite akumuliatorių bloką.	

Problema	Galima priežastis	Sprendimas
Nepasigailina lynelis.	Lyneliai susilydė tarpusavyje.	Tepkite silikono purškalu.
	Nepakanka lynelio ant ritės.	Užvyniokite daugiau lynelio.
	Lyneliai susidėvėjo ir yra per trumpi.	Prailginkite pjovimo lynelį.
	Lyneliai susipainiojo ant ritės.	1. Nuvyniokite lynelius nuo ritės. 2. Užvyniokite lynelius.
Lynelis trūkinėja.	Žoliapjovė naudojama netinkamai.	1. Pjaukite lynelio galinę dalimi, venkite akmenų, sienų ir kitų kietų objektų. 2. Reguliariai prailginkite pjovimo lynelį, kad užtikrintumėte vienodą pjovimo plotį.
Žolė apsvynioja aplink žoliapjovės galvutę ir variklio korpusą.	Aukštą žolę pjaukite pažeme.	1. Aukštą žolę pjaukite iš viršaus į žemyn. 2. Vienu praėjimu nenupjaukite daugiau kaip 8 colių, kad išvengtumėte apsvyniojimo.
Lynelis pjauna netinkamai.	Atšipo lynelio nukirtimo peilis.	Pagaląskite lynelio nukirtimo peilį dilde arba jį pakeiskite.
Akivaizdžiai padidėja vibracijos.	Vienoje pusėje lynelis susidėvėjo ir nepasigailino.	Lyneliai abiejose pusėse turi būti išlindę vienodai. Prailginkite lynelį.

## 8 TECHNINIAI DUOMENYS

Įtampa	40 V
Variklio sūkių skaičius be apkrovos	6300 ±10%aps./min. (žoliapjovė), 6800±10%aps./min. (krūmapjovė)
Pjovimo galvutė	Lynelio prailginimas stuktelėjus galvutę į žemę / krūmapjovės peilis
Pjovimo lynelio skersmuo	2 mm
Pjovimo zonos skersmuo	356/406 mm (žoliapjovė), 254 mm (krūmapjovė)

# Lietuvių k.

Svoris (be sudėtinės baterijos)	4.5 kg	
Akumuliatoriaus modelis	G40B2/G40B25/G40B4 ir kiti BAF modeliai	
Įkroviklio modelis	G40C ir kiti CAF modeliai	
Žoliapjovė	Išmatuotas garso slėgio lygis	$L_{PA}=78.4 \text{ dB(A)}$ , $K_{PA}=3 \text{ dB(A)}$
	Garantuotas garso galios lygis	$L_{WA,d}=96 \text{ dB(A)}$
	Vibracija	$<2.5 \text{ m/s}^2$ , $k=1.5 \text{ m/s}^2$
Krūmapjovė	Išmatuotas garso slėgio lygis	$L_{PA}=82.8 \text{ dB(A)}$ , $K=3 \text{ dB(A)}$
	Garantuotas garso galios lygis	$L_{WA,d}=101 \text{ dB(A)}$
	Vibracija	$<2.5 \text{ m/s}^2$ , $k=1.5 \text{ m/s}^2$



96 dB. Triukšmo vertė. (Žoliapjovė)

101 dB. Triukšmo vertė. (Krūmapjovė)

## 9 GARANTIJA

(Visas garantijos sąlygas galite rasti Greenworks svetainėje [www.greenworkstools.eu](http://www.greenworkstools.eu))

. Greenworks Gaminiai taikoma 3 metų garantija, o akumuliatoriui 2 metų garantija (naudotojui / privačiam naudojimui), kuri skaičiuojama nuo gaminio įsigijimo datos. Ši garantija apima gamybos defektus. Garantinis gaminys su defektais gali būti suremontuotas arba pakeistas. Jeigu gaminys buvo naudojamas netinkamai arba naudojama kitiems tikslams nei nurodyta naudotojo vadove, garantija gali būti panaikinta. Įprastam susidėvimui, bei eksploatacinėms dalims garantija nėra taikoma. Originalios gamintojo garantijos neįtakoja jokia papildoma pasiūlyta atstovo arba pardavėjo garantija.

Gaminys su defektu privalo būti grąžintas į įsigijimo vietą, kad galėtumėte pateikti garantinę pretenziją.

## 10 EB ATITIKTIES DEKLARACIJA

Gamintojo pavadinimas ir adresas:

Pavadinimas: GLOBGRO AB

Globe Group Europe

Adresas: Riggaregatan 53, 211 13 Malmö, Švedija

Pavardė ir adresas įgalioto asmens, įgalioto parengti techninę dokumentaciją:

Pavadinimas: Micael Johansson

Adresas: Riggaregatan 53, 211 13 Malmö, Švedija

Šiuo pareiškiame, kad gaminys

Kategorija: Žoliapjovė / Krūmapjovė

Modelis: 2105707(STF457)

Serijos Nr.: Žr. gaminio techninių duomenų etiketę

Pagaminimo metai: Žr. gaminio techninių duomenų etiketę

- atitinka susijusias Mašinų direktyvos 2006/42/EB nuostatas.
- atitinka toliau nurodytų EB direktyvų nuostatas:
  - 2014/30/ES
  - 2000/14/EB & 2005/88/EB
  - 2011/65/ES & (ES)2015/863

Be to, patvirtiname, kad buvo vadovaujama šių darnųjų standartų dalimis ir sąlygomis:

- EN 60335-1; EN 50636-2-91; EN 62233; EN 55014-1; EN 55014-2; EN ISO 3744; EN ISO 3744; ISO 11094; EN ISO 11806-1; IEC 62321-7-2; IEC 62321-4; IEC 62321-5; IEC 62321-6; IEC 62321-7-1; IEC 62321-8; IEC 62321-3-1.

Atitikties įvertinimo metodas pagal 2000/14/EB direktyvos VI priedą.

Žoliapjovė

Išmatuotas garso galios lygis:  $L_{WA} : 93.3 \text{ dB(A)}$

Garantuotas garso galios lygis:  $L_{WA,d} : 96 \text{ dB(A)}$

Krūmapjovė

Išmatuotas garso galios lygis:  $L_{WA} : 97.3 \text{ dB(A)}$

Garantuotas garso galios lygis:  $L_{WA,d} : 101 \text{ dB(A)}$

Vieta, data:

Parašas: Ted Qu, Kokybės direktorius

Malmö, 7.28.2021

Ted Qu

<b>1</b>	<b>Apraksts.....</b>	<b>204</b>	<b>5</b>	<b>Apkope.....</b>	<b>206</b>
1.1	Paredzētais lietojums.....	204	5.1	Vispārīga informācija.....	206
1.2	Pārskats.....	204	5.2	Mašīnas tīrīšana.....	206
<b>2</b>	<b>Drošība.....</b>	<b>204</b>	5.3	Spoles nomaiņa.....	207
<b>3</b>	<b>Uzstādīšana.....</b>	<b>204</b>	5.4	Griezējaukļas nomaiņa.....	207
3.1	Darbmašīnas izpakošana.....	204	5.5	Trimmera galvas uzstādīšana.....	207
3.2	Aizsarga uzlikšana.....	204	5.6	Trimmera galvas noņemšana.....	207
3.3	Vārpstas uzstādīšana.....	205	5.7	Uzgrīzņa pogas nomaiņa.....	207
3.4	Papildroktura piestiprināšana.....	205	5.8	Krūmgrieža uzstādīšana.....	207
3.5	PLECU SIKSNAS LIETOŠANA.....	205	5.9	Krūmgrieža noņemšana.....	208
3.6	Ievietojiet akumulatoru bloku.....	205	<b>6</b>	<b>Transportēšana un</b>	
3.7	Akumulatora bloka izņemšana.....	205		<b>uzglabāšana.....</b>	<b>208</b>
<b>4</b>	<b>Ekspluatācija.....</b>	<b>205</b>	6.1	Mašīnas pārvietošana.....	208
4.1	Mašīnas ieslēgšana.....	205	6.2	Iekārtas uzglabāšana.....	208
4.2	Mašīnas apturēšana.....	205	<b>7</b>	<b>Problēmu novēršana.....</b>	<b>208</b>
4.3	Padomi mašīnas lietošanā.....	205	<b>8</b>	<b>Tehniskie dati.....</b>	<b>209</b>
4.4	Pļaušanas padomi.....	206	<b>9</b>	<b>Garantija.....</b>	<b>210</b>
4.5	Griezējaukļas garuma pielāgošana.....	206	<b>10</b>	<b>EK Atbilstības deklarācija.....</b>	<b>210</b>
4.6	Griešanas diametra regulēšana.....	206			
4.7	Aukļas griezējasmens.....	206			

## 1 APRAKSTS

### 1.1 PAREDŽĒTAIS LIETOJUMS

Šo mašīnu izmanto zāles, nezāļu un tamlīdzīgu augu pļaušanai, kas atrodas vienā līmenī ar zemi vai nedaudz virs tās. Pļaušanas laikā griezējasmēnim ir jāatrodas gandrīz paralēli zemes virsmai. Mašīna nav paredzēta dzīvzogu, krūmu, zaru, ziedu un kompostu sagriešanai vai sakapāšanai.

### 1.2 PĀRSKATS

Attēls Nr. 1 - 23.

1. Ieslēgšanas slēdzis
2. Bloķēšanas poga
3. Augšējā vārpsta
4. Paltgroturis
5. Apakšējā vārpsta
6. Aizsargs
7. Griezējasmēnis
8. Trimmera galva
9. Aizsargvāciņš
10. Asmens
11. Atbrīvošanas poga
12. Regulēšanas atvere
13. Sešskaldņu uzgriežņu atslēga
14. Vidējā poga
15. Vāciņš
16. Apakšējais atbalsts
17. Spoles vāciņš
18. Spole
19. Izcilnis
20. Auklas izejas atvere
21. Uzgriežņu atslēga
22. Uzgrieznis
23. Ārējais vāciņš
24. Ārējais gredzenveida uzgrieznis
25. Iekšējais vāciņš
26. Leņķa transmisijas atvere
27. Uzgriežņa poga
- A Rotācijas virziens
- B Vispiemērotākā griešanas zona
- C Bīstamā griešanas zona

## 2 DROŠĪBA

### ▲ BRĪDINĀJUMS

Ievērojiet visus drošības norādījumus.

Izlasiet drošības instrukciju rokasgrāmatu.

## 3 UZSTĀDĪŠANA

### ▲ BRĪDINĀJUMS

Pirms uzstādīšanas no mašīnas ir jāizņem akumulatoru bloks.

### ▲ BRĪDINĀJUMS

Neizmantojiet piederumus, kas nav ieteikti izmantošanai kopā ar mašīnu.

### 3.1 DARBMAŠĪNAS IZPAKOŠANA

#### ▲ BRĪDINĀJUMS

Pirms sākat lietot darbmašīnu, pārlicinieties, vai tā ir pareizi salikta.

#### ▲ BRĪDINĀJUMS

- Neizmantojiet darbmašīnu, ja tās daļas ir bojātas.
- Ja trūkst kādas daļas, nedarbiniet darbmašīnu.
- Ja trūkst kādas daļas vai tās ir bojātas, sazinieties ar servisa centru.

1. Atveriet iepakojumu.
2. Izlasiet komplektācijas kārbā iekļauto dokumentāciju.
3. Izņemiet no komplektācijas kārbas visas nesamontētās daļas.
4. Izņemiet no komplektācijas kārbas darbmašīnu.
5. Atbrīvojieties no kārbas un iepakojuma materiāla atbilstoši vietējiem noteikumiem.

#### ▲ BRĪDINĀJUMS

Jūsu drošības labad neievietojiet akumulatoru instrumentā, kamēr tas nav pilnībā samontēts.

### 3.2 AIZSARGA UZLIKŠANA

Attēls Nr. 2.

#### ▲ BRĪDINĀJUMS

Nepieskarieties griezējasmēnim

1. Izskrūvējiet no trimmera galvas skrūves, izmantojot krustiņskrūvgriezi (komplektācijā neietilpst).
2. Uzlieciet trimmera galvai aizsargu.
3. Salāgojiet aizsarga skrūvju caurumus ar trimmera galvas skrūvju caurumiem.
4. Pieskrūvējiet skrūves.
5. Uzlieciet aizsargam vāciņu.
6. Salāgojiet aizsarga vāciņa skrūvju caurumus ar aizsarga skrūvju caurumiem.
7. Pieskrūvējiet skrūves.

## 3.3 VĀRPSTAS UZSTĀDĪŠANA

Attēls 3.

1. Atskrūvējiet uznavas skrūvi.
2. Nospiediet atbrīvošanas pogu uz apakšējās vārpstas.
3. Salāgojiet atbrīvošanas pogu ar regulēšanas atveri un sabīdīet abas vārpstas.
4. Pagrieziet apakšējo vārpstu, līdz poga nofiksējas regulēšanas atverē.

### ! PIEZĪME

Atbrīvošanas pogai jābūt nostiprinātai regulēšanas atverē. Nepareizas atveres izmantošana var izraisīt miesas bojājumus vai sabojāt ierīci.

5. Pieskrūvējiet skrūvi ar sešskaldņu uzgriežņu atslēgu.

## 3.4 PAPILDROKTURA PIESTIPRINĀŠANA

Attēls Nr. 4.

1. Atskrūvējiet vidējo pogu.
2. Noņemiet vāciņu un apakšējo atbalstu.

### ! PIEZĪME

Rīkojieties uzmanīgi, lai nenozaudētu atbalsta atsperi.

3. Ielieciet palīgrokturi apakšējā atbalstā.
4. Uzlieciet apakšējam atbalstam vāciņu.
5. Ielieciet visu korpusā esošo bloku uz vārpstas.
6. Noregulējiet palīgrokturi jums ērtā pozīcijā.
7. Izmantojiet vidējo pogu, lai bloķētu palīgrokturi.

## 3.5 PLECU SIKSNAS LIETOŠANA

Attēls Nr. 5.

1. Piestipriniet karabīni pie kāta pārnēsāšanas gredzena.
2. Uzvelciet plecu siksnu.
3. Noregulējiet siksnas garumu tā, lai karabīne atrastos apmēram plaukstu augstumā zem labā gurna.

## 3.6 IEVIETOJIET AKUMULATORU BLOKU

Attēls Nr. 6.

### ▲ BRĪDINĀJUMS

- Ja akumulatoru bloks vai lādētājs ir bojāts, tie ir jānomaina.
- Pirms akumulatoru bloka ievietošanas vai izņemšanas darbmašīna ir jāaptur un jāuzgaida, kamēr apstājas motors.
- Izlasiet, noskaidrojiet un izpildiet akumulatora un lādētāja rokasgrāmatā esošos norādījumus.

1. Salāgojiet akumulatoru bloka pacelšanas ribas ar rievām akumulatora nodalījumā.
2. Spiediet akumulatoru bloku uz iekšu akumulatora nodalījumā, līdz akumulatoru bloks nofiksējas vajadzīgajā stāvoklī.
3. Akumulators būs pilnībā ievietots tad, kad būs dzirdama klikšķa skaņa.

## 3.7 AKUMULATORA BLOKA IZŅEMŠANA

6. attēls

1. Nospiediet un pieturiet akumulatora atbrīvošanas pogu.
2. Izņemiet no iekārtas akumulatora bloku.

## 4 EKSPLUATĀCIJA

### ! SVARĪGI

Pirms darbināt mašīnu, izlasiet un izprotiet drošības noteikumus un ekspluatācijas norādījumus.

### ▲ BRĪDINĀJUMS

Strādājot ar mašīnu, ievērojiet piesardzību.

## 4.1 MAŠĪNAS IESLĒGŠANA

Attēls Nr. 7.

1. Nospiediet atbloķēšanas pogu un pavelciet iedarbināšanas slēdzi.

## 4.2 MAŠĪNAS APTURĒŠANA

Attēls Nr. 7.

1. Lai apturētu mašīnu, atlaidiet iedarbināšanas slēdzi.

## 4.3 PADOMI MAŠĪNAS LIETOŠANĀ

Attēls Nr. 8.

### ▲ BRĪDINĀJUMS

Ievērojiet drošu attālumu starp savu ķermeni un mašīnu.

## ▲ BRĪDINĀJUMS

Nelietojiet mašīnu, ja tai nav uzstādīts aizsargs.

**Lietojot mašīnu, ņemiet vērā šādus padomus:**

- Mašīnai jābūt savienotai ar pareizi uzvilktu siksnu.
- Strādājot ar mašīnu, turiet to ar abām rokām.
- Garu zāli grieziet no augšas uz leju.

**Ja zāle aptinas ap trimmera galvu:**

- Izņemiet akumulatoru bloku.
- Izņemiet noplāuto zāli.

## 4.4 PĻAUŠANAS PADOMI

*Attēls Nr. 9.*

- Sagāziet mašīnu virzienā pret pļaušanas zonu. Pļaujiet zāli ar griezējauklas galu.
- Pārvietojiet mašīnu no labās puses uz kreiso pusi, lai atgriezumi neatlēktu operatora virzienā.
- Neplaujiet bīstamajā zonā.
- Nespiediet trimmera galu nenoplātajā zālē ar spēku.
- Stieples un mietu žogi var radīt nodilumu auklai un var to pārraut. Ja aukla saskaras ar akmens un ķieģeļu mūra sienām, apmalēm un kokmateriāliem, tā ātri nodilst.

## 4.5 GRIEZĒJAUKLAS GARUMA PIELĀGOŠANA

*Attēls Nr. 10.*

Mašīnas lietošanas laikā griezējaukla noliektas un kļūst īsāka. Griezējauklas garumu var pielāgot.

1. Kamēr mašīna darbojas, piesitiet trimmera galvu pret zemi.
2. Aukla tiks automātiski padota, un griezējasmens nogriezīs lieko garumu.

## 4.6 GRIEŠANAS DIAMETRA REGULĒŠANA

*Attēls Nr. 11.*

### i PIEZĪME

Mašīnai ir iestatīts 356 mm griešanas diametrs. Jūs varat pielāgot 406 mm griešanas diametru.

Pielāgojiet griešanas diametru 356 mm ilgākam pļaušanas laikam un 406 mm lielākai pļaušanas zonai.

1. Izņemiet akumulatoru bloku.
2. Izskrūvējiet asmens skrūves no griezējasmens.
3. Pagrieziet griezējasmēni par 180°.
4. Pieskrūvējiet asmens skrūves.

## 4.7 AUKLAS GRIEZĒJASMENS

*Attēls Nr. 11.*

Trimmerim uz aizsarga ir auklas griezējasmens. Auklas griezējasmens nepārtraukti nogriež auklu, lai nodrošinātu vienmērīgu un efektīvu griešanas diametru. Pagariniet auklu, tiklīdz izdzirdat, ka motors sāk griezties ātrāk kā parasti, vai arī, kad samazinās griešanas efektivitāte. Tādējādi tiks nodrošināti vislabākie griešanas rezultāti un pietiekami gara aukla, ko pagarināt.

## 5 APKOPE

### i SVARĪGI

Pirms tīrīšanas, remonta vai mašīnas apkopes darbu veikšanas izlasiet un izprotiet drošības noteikumus un apkopes norādījumus.

### i SVARĪGI

Pārbaudiet, vai ir ir cieši pieskrūvēti uzgriežņi, bultskrūves un skrūves. Regulāri pārbaudiet, vai rokturi ir stingri piestiprināti.

### i SVARĪGI

Izmantojiet tikai sākotnējā ražotāja piegādātās rezerves daļas un piederumus.

## 5.1 VISPĀRĪGA INFORMĀCIJA

### i SVARĪGI

Apkopes darbus, kas nav norādīti šajā rokasgrāmatā, var veikt tikai izplatītājs vai apstiprināts servisa centrs.

Pirms apkopes veikšanas:

- Apturiet mašīnu.
- Izņemiet akumulatoru bloku.
- Atziesējiet motoru.
- Uzglabājiet mašīnu vēsā un sausā vietā.
- Valkājiet atbilstošu apģērbu, aizsargcimdus un aizsargbrilles.

## 5.2 MAŠĪNAS TĪRĪŠANA

- Pēc katras lietošanas reizes notīriet mašīnu ar mitru lupatiņu, kas iemērta neitrālā mazgāšanas līdzeklī.
- Plastmasas detaļu un rokturu tīrīšanai nelietojiet kodīgus mazgāšanas līdzekļus vai šķīdinātājus, piemēram, stikla tīrīšanas līdzekļus.
- Pirms trimmera galvas novietošanas uzglabāšanā iztīriet no tās zāli, lapas vai lieko smērvielu.
- Lai izvairītos no motora pārkaršanas vai bojājumiem, iztīriet gaisa atveres un raugiet, lai tajās neuzkrātos gruži.



- Nesmidziniet ūdeni uz motora un elektriskajiem komponentiem.

## 5.3 SPOLES NOMAĪŅA

Attēls Nr. 12 - 20.

1. Nospiediet cilpiņas vienlaicīgi abos trimmera sānos.
2. Pavelciet un noņemiet spolei vāciņu.
3. Izņemiet atlikušo spoles daļu.
4. Ielieciet spoli vāciņā.

### i PIEZĪME

Pirms uzstādāt jauno spoli, apskatiet, vai griezējaukļa atrodas jaunās spoles rievā un ir izvilktā apmēram 15 cm uz āru.

5. Izvelciet griezējaukļa galus caur caurumiņiem.
6. Lai izvilktu griezējaukļu no spolē esošās rievās, pagariniet to.
7. Uzstādiet trimmera galvai spoli un spoles vāciņu.
8. Piespiediet spoles vāciņu, līdz ir dzirdama klikšķina skaņa.

## 5.4 GRIEZĒJAUKLAS NOMAĪŅA

Attēls Nr. 14 - 16.

### i PIEZĪME

Izņemiet no spoles atlikušo griezējaukļa daļu.

### i PIEZĪME

Izmantojiet tikai neilona griezējaukļu ar 2 mm lielu diametru.

1. Nogrieziet no griezējaukļa apmēram 3 m garu gabalu.
2. Salokiet auklu vidusdaļā uz pusēm un ielieciet cilpu rievā, spoles vidējā daļā. Pārliecinieties, vai aukla iekļaujas rievā.
3. Uzlieciet pirkstu starp auklām un uztiniet auklas vienādi un stingri ap spoli norādītajā virzienā.
4. Ievietojiet auklas rievās.
5. Neuztiniet auklas ārpus spoles malas.

## 5.5 TRIMMERA GALVAS UZSTĀDĪŠANA

Attēls Nr. 21.

1. Uzlieciet starpliku uz vārpstas pareizi.
2. Piestipriniet iekšējo gredzenveida uzgriezni pie iekšējā vāciņa norādītajā virzienā.
3. Pārliecinieties, vai iekšējā gredzenveida uzgriežņa rievās precīzi salāgojas ar leņķa pārnese rievām.

4. Ielieciet uzgriežņu atslēgu norādītajā leņķa transmisijas atverē.
5. Pagrieziet trimmera galvu un iespiediet uzgriežņu atslēgu, līdz uzgriežņu atslēga atrodas iekšējā gredzenveida uzgriežņa atverē, bloķējot rotāciju.
6. Uzstādiet trimmera galvu.
7. Pagrieziet trimmera galvu pretēji pulksteņrādītāja kustības virzienam, lai to pievilktu.
8. Izņemiet uzgriezni.

### i SVARĪGI

Ja izmantosit trimmera galvu, uzstādiet griezējasmēni.

## 5.6 TRIMMERA GALVAS NOŅEMŠANA

Attēls Nr. 21.

1. Ielieciet uzgriežņu atslēgu norādītajā leņķa transmisijas atverē.
2. Pagrieziet trimmera galvu un iespiediet uzgriežņu atslēgu, līdz uzgriežņu atslēga atrodas iekšējā gredzenveida uzgriežņa atverē, bloķējot rotāciju.
3. Pagrieziet trimmera galvu pulksteņrādītāja kustības virzienā, lai to atbrīvotu. Nenonēmiem starpliku no vārpstas.

## 5.7 UZGRIEŽŅA POGAS NOMAĪŅA

Attēls Nr. 13.

1. Nospiediet cilpiņas vienlaicīgi abos trimmera sānos.
2. Pavelciet un noņemiet spolei vāciņu.
3. Izņemiet spoli.
4. Izlauziet uzgriežņa pogu ar metāla stieni (neietilpst komplektācijā).
5. Uzstādiet spoles korpusā jaunu uzgriežņa pogu.

## 5.8 KRŪMGRIEŽA UZSTĀDĪŠANA

Attēls Nr. 22 - 23.

### ▲ BRĪDINĀJUMS

Valkājiet cimdus un uzmanieties no asām malām.

### ▲ BRĪDINĀJUMS

Uzlieciet asmenim aizsargu.

1. Uzlieciet starpliku uz vārpstas pareizi.
2. Piestipriniet iekšējo gredzenveida uzgriezni pie iekšējā vāciņa norādītajā virzienā.
3. Pārliecinieties, vai iekšējā gredzenveida uzgriežņa rievās precīzi salāgojas ar leņķa pārnese rievām.
4. Piestipriniet asmeni un ārējo gredzenveida uzgriezni ar plakano daļu, kas vērsta pret asmeni.
5. Piestipriniet ārējo vāciņu, nepieskrūvējot uzgriezni.

6. Ielieciet uzgriežņu atslēgu norādītajā leņķa transmisijas atverē.
7. Pagrieziet asmeni un iespiediet uzgriežņu atslēgu, līdz asmens atrodas iekšējā gredzenveida uzgriežņa atverē, bloķējot rotāciju.
8. Pievelciet uzgriežņi ar 19 mm jeb 3/4 collu uzgriežņu atslēgu (44/58 Nm) pretēji pulksteņrādītāja kustības virzienam.

## 5.9 KRŪMGRIEŽA NOŅEMŠANA

Attēls Nr. 22 - 23.

### ▲ BRĪDINĀJUMS

Uzlieciet asmenim aizsargu.

1. Ielieciet uzgriežņu atslēgu norādītajā leņķa transmisijas atverē.
2. Pagrieziet asmeni un iespiediet uzgriežņu atslēgu, līdz asmens atrodas iekšējā gredzenveida uzgriežņa atverē, bloķējot rotāciju.
3. Atskrūvējiet uzgriežņi pulksteņrādītāja kustības virzienā un noņemiet ārējo vāciņu.
4. Noņemiet ārējo gredzenveida uzgriežņi, asmeni, iekšējo vāciņu un iekšējo gredzenveida uzgriežņi. Nenovietojiet starpliku no vārpstas.

## 6 TRANSPORTĒŠANA UN UZGLABĀŠANA

### 6.1 MAŠĪNAS PĀRVIETOŠANA

Pārvietojot mašīnu:

- Valkājiet cimdus.
- Apturiet mašīnu.
- Akumulatora bloka izņemšana.
- Uzstādiet asmens aizsargu.

### 6.2 IEKĀRTAS UZGLABĀŠANA

- Izņemiet akumulatoru bloku no ierīces un uzlādējiet to.
- Pārliecinieties, vai bērni nevar piekļūt iekārtai.
- Sargājiet mašīnu no kodīgiem līdzekļiem, piemēram, dārza ķīmikālijām un pretapledošanas sāļiem.
- Transportēšanas laikā nostipriniet mašīnu, lai novērstu bojājumus vai traumas. Notīriet mašīnu un pārbaudiet, vai tai nav radušies bojājumi.

## 7 PROBLĒMU NOVĒRŠANA

Problēma	Iespējamais cēlonis	Risinājums
Nospiežot slēdzi, mašīna neieslēdzas.	Starp mašīnu un akumulatoru bloku nav elektriskā savienojuma.	1. Izņemiet akumulatoru bloku. 2. Pārbaudiet savienojumu un vēlreiz ievietojiet akumulatoru bloku.
	Akumulatoru bloks ir izlādējies.	Uzlādējiet akumulatoru bloku.
Bloķēšanas poga un slēdzis nav vienlaicīgi nospiesti.		1. Pavelciet bloķēšanas pogu un pieturiet. 2. Lai iedarbinātu mašīnu, atvelciet ieslēgšanas slēdzi.

Problēma	Iespējamais cēlonis	Risinājums
Mašīna apstājas pļaušanas laikā.	Mašīnai nav pietiprināts aizsargs.	Izņemiet laukā akumulatoru bloku un piesitpiniet mašīnai aizsargu.
	Izmantota smaga griezējaukla.	Izmantojiet tikai neilona griezējauklu ar 2 mm lielu diametru.
	Zāle tinās ap motora vārpstu vai trimmera galvu.	1. Apturiet mašīnu. 2. Izņemiet akumulatoru bloku. 3. Izņemiet no motora vārpstas vai trimmera galvas zāli.
	Motora pārslodze.	1. Paceliet no zāles trimmera galvu. 2. Motors uzreiz pēc noslogojuma atbrīvošanas atsāks darboties. 3. Pļaušanas laikā pārvietojiet trimmera galvu zālē uz augšu un leju, un nepļaujiet vairāk kā 8" ar vienu piegājieni.
	Akumulatoru bloks vai mašīna ir pārāk sakarsušī.	1. Atdzesējiet akumulatoru bloku, līdz tā temperatūra atgriežas normālā darbības stāvoklī. 2. Ļaujiet mašīnai atdzist apmēram 10 minūtes.
	Akumulatoru bloks ir atvienots no darbarīka.	Vēlreiz ievietojiet akumulatoru bloku.
	Akumulatoru bloks ir izlādējies.	Uzlādējiet akumulatoru bloku.

Problēma	Iespējamais cēlonis	Risinājums
Nevar padot auklu.	Auklas ir sapinušās.	Ieeļļojiet ar silikona smērvielu.
	Spolē nav pietiekami daudz auklas.	Uztiniet vairāk auklas.
	Auklas kļuvušās pārāk īsas.	Izvelciet laukā griezējauklu
	Aukla spolē ir sapinusies.	1. Izņemiet no spoles auklu. 2. Uztiniet auklu.
Aukla vēl aizvien lūzt.	Mašīna tiek nepareizi lietota.	1. Pļaujiet ar auklas galu, izvairieties no akmeņiem, sienām un citiem cietajiem priekšmetiem. 2. Lai saglabātu pilnu pļaušanas platumu, griezējaukla ir jāpadod regulāri.
Zāle tinās ap trimmera galvu un motora korpusu.	Garā zāle jāpļauj vienā līmenī ar zemi.	1. Garu zāli grieziet no augšas uz leju. 2. Lai zāle neapfītos, nepļaujiet vairāk kā 8" katrā piegājienā.
Aukla negriež pietiekami labi.	Griezējasmens kļūvis neass.	Uzasiniet griezējasmēni ar vīli vai nomainiet to.
Acīmredzami pieaug vibrācija.	Aukla vienā pusē ir nolietojusies un netiek vienlaicīgi padota.	Pārliecinieties, vai aukla abās pusēs ir vienādā garumā. Izvelciet laukā auklu.

**LV**

## 8 TEHNISKIE DATI

Spriegums	40 V
Ātrums bez noslodzes	6300 ±10%apgr./min. (Zāles trimmeris), 6800±10%apgr./min. (Krūmgriezis)
Griezējgalva	Auklas padeve ar piesitena mehānismu/krūmgrieža griezējasmens
Griezējauklatas diametrs	2 mm
Griešanas diametrs	356/406mm (Zāles trimmeris) 254mm (Krūmgriezis)

Svars (bez akumulatoru bloka)	4.5 kg	
Akumulatora modelis	G40B2/G40B25/G40B4 un citas BAF sērijas	
Lādētāja modelis	G40C un citas CAF sērijas	
Zāles trimmeris	Izmērītais skaņas spiediena līmenis	$L_{pA}=78.4 \text{ dB(A)}$ , $K_{pA}= 3 \text{ dB(A)}$
	Garantētais skaņas intensitātes līmenis	$L_{WA,d}=96 \text{ dB(A)}$
	Vibrācija	$<2.5 \text{ m/s}^2$ , $k=1.5 \text{ m/s}^2$
Krūmgriezis	Izmērītais skaņas spiediena līmenis	$L_{pA}=82.8 \text{ dB(A)}$ , $K=3 \text{ dB(A)}$
	Garantētais skaņas intensitātes līmenis	$L_{WA,d}=101 \text{ dB(A)}$
	Vibrācija	$<2.5 \text{ m/s}^2$ , $k=1.5 \text{ m/s}^2$

Adrese: Riggaregatan 53, 211 13 Malmö, Zviedrija

Personas, kura pilnvarota sastādīt tehnisko dokumentāciju, vārds, uzvārds un adrese:

Nosaukums: Micael Johansson

Adrese: Riggaregatan 53, 211 13 Malmö, Zviedrija

Ar šo mēs apliecinām, ka izstrādājums

Kategorija: Auklas trimmeris / Krūmgriezis

Modelis: 2105707(STF457)

Sērijas numurs: Skaīt izstrādājuma kvalitātes marķējumu

Iekārtas izlaides gads: Skaīt izstrādājuma kvalitātes marķējumu

- atbilst Direktīvas Nr. 2006/42/EK par mašīnām attiecīgajiem noteikumiem.
- atbilst sekojošu EK direktīvu noteikumiem:
  - 2014/30/ES
  - 2000/14/EK & 2005/88/EK
  - 2011/65/ES & (ES)2015/863

Turklāt mēs apliecinām, ka ir izmantoti šādi saskaņotie standarti (daļas/klauzulas):

- EN 60335-1; EN 50636-2-91; EN 62233; EN 55014-1; EN 55014-2 ; EN ISO 3744; EN ISO 3744; ISO 11094; EN ISO 11806-1; IEC 62321-7-2; IEC 62321-4; IEC 62321-5; IEC 62321-6; IEC 62321-7-1; IEC 62321-8; IEC 62321-3-1.

Direktīvas Nr. 2000/14/EK VI pielikumā paredzētā atbilstības novērtējuma metode.

Auklas trimmeris

Izmērītais skaņas intensitātes līmenis:  $L_{WA} : 93.3 \text{ dB(A)}$

Garantētais skaņas intensitātes līmenis:  $L_{WA,d} : 96 \text{ dB(A)}$

Krūmgriezis

Izmērītais skaņas intensitātes līmenis:  $L_{WA} : 97.3 \text{ dB(A)}$

Garantētais skaņas intensitātes līmenis:  $L_{WA,d} : 101 \text{ dB(A)}$

Vieta, datums: Paraksts: Kvalitātes daļas direktors Ted Qu



96 dB. Trokšņa vērtība. (Zāles trimmeris)

101 dB. Trokšņa vērtība. (Krūmgriezis)

## 9 GARANTIJA

(Visus garantijas noteikumus un nosacījumus var izlasīt Greenworks tīmekļa lapā [www.greenworkstools.eu](http://www.greenworkstools.eu)).

Ierīcei Greenworks ir 3 gadu garantija, bet akumulatoriem — 2 gadu garantija (izmantojot patēriņa/privātiem mērķiem), skaitot no iegādes datuma. Šī garantija attiecas uz ražošanas defektiem. Garantijas laikā var salabot vai nomainīt bojātu izstrādājumu. Garantija nebūs spēkā tad, ja ierīce netiks pareizi lietota vai tiks izmantota citiem mērķiem, kas nav aprakstīti šajā lietotāja rokasgrāmatā. Šī garantija neattiecas uz dabisko nolietošanas un nodilumam pakļautajām detaļām. Ražotāja sākotnējā garantija nav saistīta ar papildu garantijām, ko piedāvā dīleris vai mazumtirgotājs.

Lai pieprasītu garantiju, bojātais izstrādājums ir jāatgriež iegādes vietā, uzrādot pirkuma apliecinājumu (čeku).

## 10 EK ATBILSTĪBAS DEKLARĀCIJA

Ražotāja nosaukums un adrese:

Nosaukums: GLOBGRO AB  
Globe Group Europe

Malmö, 7.28.2021

Ted Au

<b>1 Kirjeldus.....</b>	<b>213</b>	<b>5 Hooldus.....</b>	<b>215</b>
1.1 Eesmärk.....	213	5.1 Üldine informatsioon.....	215
1.2 Ülevaade.....	213	5.2 Seadme puhastamine.....	215
<b>2 Ohutus.....</b>	<b>213</b>	5.3 Vahetage pool välja.....	215
<b>3 Paigaldus.....</b>	<b>213</b>	5.4 Pange poolile uus lõikejõhv.....	216
3.1 Seadme lahtipakkimine.....	213	5.5 Pange trimmeripea kokku.....	216
3.2 Paigaldage kaitse.....	213	5.6 Eemaldage trimmeripea.....	216
3.3 Pange vars kokku.....	214	5.7 Vahetage poolautomaatse etteande nupp välja.....	216
3.4 Paigaldage lisakäepide.....	214	5.8 Pange võsalõikur kokku.....	216
3.5 Rakmete kasutamine.....	214	5.9 Eemaldage võsalõikur.....	216
3.6 Paigaldage akuplokk.....	214	<b>6 Transport ja hoiustamine.....</b>	<b>217</b>
3.7 Akuploki eemaldamine.....	214	6.1 Seadme liigutamine.....	217
<b>4 Kasutamine.....</b>	<b>214</b>	6.2 Seadme hoiustamine.....	217
4.1 Käivitage seade.....	214	<b>7 Veotsing.....</b>	<b>217</b>
4.2 Peatage seade.....	214	<b>8 Tehnilised andmed.....</b>	<b>218</b>
4.3 Praktilised nõuanded.....	214	<b>9 Garantii.....</b>	<b>218</b>
4.4 Nõuanded lõikamiseks.....	214	<b>10 EÜ Vastavusdeklaratsioon.....</b>	<b>218</b>
4.5 Reguleerige lõikejõhvi pikkust.....	215		
4.6 Reguleerige lõikeläbimõõtu.....	215		
4.7 Jõhvi lõikamise tera.....	215		

## 1 KIRJELDUS

### 1.1 EESMÄRK

Seade on ette nähtud muru, väiksema umbrohu ja muude sarnaste taimede lõikamiseks maapinnal või maapinna lähedal. Lõiketase peab olema maapinnaga enamvähem paralleelne. Seadet ei saa kasutada hekkide, pöösaste, lillede ja komposti lõikamiseks või hakkimiseks.

### 1.2 ÜLEVAADE

Joonis 1 - 23.

- 1 Päästik
- 2 Lukustusnupp
- 3 Ülemine vars
- 4 Lisakäepide
- 5 Alumine vars
- 6 Piire
- 7 Jõhvi lõikamise tera
- 8 Trimmeripea
- 9 Kaitsepiirde kate
- 10 Tera
- 11 Vabastusnupp
- 12 Paigaldusava
- 13 Kuuskantvõti
- 14 Kinnituskruvi
- 15 Kate
- 16 Alumine tugi
- 17 Pooli kate
- 18 Pool
- 19 Sakk
- 20 Jõhvi väljundava
- 21 Mutrivõti
- 22 Mutter
- 23 Välimine kate
- 24 Välimine ratasmutter
- 25 Sisemine kate
- 26 Nurga ülekande ava
- 27 Poolautomaatse etteande nupp
- A Pöörlemisruud
- B Parim lõikeala
- C Ohtlik lõikeala

## 2 OHUTUS

### ▲ HOIATUS

Järgige kindlasti kõiki ohutusjuhiseid.

Lugege kasutusjuhendit.

## 3 PAIGALDUS

### ▲ HOIATUS

Enne paigaldustoiminguid eemaldage akuplokk seadme küljest.

### ▲ HOIATUS

Ärge kasutage tarvikuid, mis ei ole selle seadme jaoks soovitatud.

### 3.1 SEADME LAHTIPAKKIMINE

#### ▲ HOIATUS

Enne kasutamist pange seade korrektselt kokku.

#### ▲ HOIATUS

- Ärge kasutage seadet, kui seadme osad on kahjustunud.
- Ärge kasutage seadet, kui seadmelt puuduvad osad.
- Kui osad on kahjustunud või puudu, võtke ühendust teenindusega.

1. 1. Avage pakend.
2. 2. Lugege kastis sisalduvaid dokumente.
3. 3. Võtke kõik osad kastist välja.
4. 4. Võtke seade kastist välja.
5. 5. Visake kast ja pakkematerjal ära vastavalt kohalikele eeskirjadele.

#### ▲ HOIATUS

Ohutuse huvides ärge paigaldage akut enne, kui tööriist on täielikult kokku pandud.

### 3.2 PAIGALDAGE KAITSE

Joonis 2.

#### ▲ HOIATUS

Ärge puudutage jõhvi lõikamise tera.

1. Eemaldage trimmeripea kruvid Phillipsi kruvikeerajaga (ei ole komplektis).
2. Paigaldage kaitsepiire trimmeripeale.
3. Joondage kaitsepiirde kruviaugud trimmeripea kruviaukudega.
4. Keerake kruvid kinni.
5. Pange kaitsepiirde kate kaitsepiirde külge.
6. Joondage kaitsepiirde kate kruviaugud kaitsepiirde kruviaukudega.
7. Keerake kruvid kinni.

## 3.3 PANGE VARS KOKKU

Joonis 3.

1. Vabastage ühenduslüli kruvi.
2. Vajutage vabastusnupu alumise varre küljes.
3. Joondage vabastusnupp paigaldusavaga ja libistage kaks vart kokku.
4. Keerake alumist vart, kuni nupp lukustub paigaldusavasse.

### i MÄRKUS

Vabastusnupp peab olema fikseeritud positsioneerimisavasse. Vale ava kasutamine võib põhjustada kehavigastusi või kahjustada seadet.

5. Keerake kruvi kuuskantvõtme abil kinni.

## 3.4 PAIGALDAGE LISAKÄEPIDE

Joonis 4.

1. Vabastage kinnituskruvi.
2. Eemaldage kate ja alumine tugi.

### i MÄRKUS

Pöörake tähelepanu ka toes olevale kruvile.

3. Pange lisakäepide alumise toe sisse.
4. Paigaldage kate alumisele toele.
5. Pange kogu blokk selle korpusesse võllil.
6. Seadistage lisakäepide mugavasse asendisse.
7. Lukustage lisakäepide kinnituskruvi abil.

## 3.5 RAKMETE KASUTAMINE

Joonis 5.

1. Kinnitage karabiin varre küljes oleva kanderõnga külge.
2. Rakmete pealepanek
3. Reguleerige rihma pikkust nii, et karabiin jääks umbes käelaba laiuse võrra teie paremast puusast allapoole.

## 3.6 PAIGALDAGE AKUPLOKK

Joonis 6.

### ▲ HOIATUS

- Kui akuplokk või laadija on kahjustatud, vahetage akuplokk või laadija välja.
- Enne akuploki paigaldamist või eemaldamist peatage seade ja oodake, kuni mootor seiskub.
- Lugege, teadke ja järgige aku ja laadija kasutusjuhendis esitatud juhiseid.

1. Joondage akuploki sakid akupesa soontega.

2. Lükake akuplokk akupesasse nii kaugemale, et akuplokk lukustub oma kohale.
3. Akuplokk on paigas, kui kuulete klõpsatust.

## 3.7 AKUPLOKI EEMALDAMINE

Joonis 6.

1. Vajutage ja hoidke aku vabastamise nuppu all.
2. Ühendage seadme akuplokk lahti.

## 4 KASUTAMINE

### i OLULINE

Enne seadme kasutamist lugege nii ohutusjuhiseid kui kasutusjuhendit ja tehke need endale selgeks.

### ▲ HOIATUS

Olge seadme kasutamisel ettevaatlik.

## 4.1 KÄIVITAGE SEADE

Joonis 7.

1. Vajutage lukustusnuppu ja tõmmake päästikut.

## 4.2 PEATAGE SEADE

Joonis 7.

1. Seadme peatamiseks vabastage päästik.

## 4.3 PRAKTILISED NÕUANDED

Joonis 8.

### ▲ HOIATUS

Hoidke seade kehast eemal.

### ▲ HOIATUS

Ärge kasutage seadet, kui kaitsepiire ei ole paigas.

### Seadme kasutamisel järgige neid nõuandeid

- Kinnitage seade õigesti kasutatavate rakmete külge.
- Hoidke seadet selle kasutamisel kindlalt kahe käega.
- Lõigake kõrget muru ülalt alla.

### Kui muru kerib ümber trimmeripea:

- Eemaldage akuplokk.
- Eemaldage muru.

## 4.4 NÕUANDED LÕIKAMISEKS

Joonis 9.

- Kallutage seadet lõigatava ala suunas. Muru lõikamiseks kasutage lõikejõhvi otsa.



- Prahi operaatori pihta paikumise vältimiseks liigutage seadet paremalt vasakule.
- Ärge lõigake ohtlikul alal.
- Ärge suruge trimmeripead lõikamata muru sisse.
- Traat- ja teivasaiad kulutavad ja lõhuvad lõikejõhvi. Kivi- ja tellisseinad, äärekivid ja puud kulutavad lõikejõhvi kiiresti.

## 4.5 REGULEERIGE LÕIKEJÕHVI PIKKUST

Joonis 10.

Seadme kasutamisel lõikejõhv kulub ja muutub lühemaks. Reguleerige lõikejõhvi pikkust.

1. Lõige trimmeripea seadme töötamise ajal vastu maad.
2. Jõhv vabastatakse automaatselt ja jõhvi lõikamise tera lõikab liigse jõhvi ära.

## 4.6 REGULEERIGE LÕIKELÄBIMÕÖTU

Joonis 11.

### i MÄRKUS

Seade on seadistatud 356 mm lõikeläbimõõdule. Te saate reguleerida seda 406 mm lõikeläbimõõdule.

Seadistage lõikeläbimõõd 356 mm et pikendada seadme eluiga ja 406 mmsuurendada lõikeala.

1. Eemaldage akuplokk.
2. Eemaldage lõiketera kruvid jõhvi lõikamise tera küljest.
3. Pöörake jõhvi lõikamise tera 180°.
4. Keerake tera kruvid kinni.

## 4.7 JÕHVI LÕIKAMISE TERA

Joonis 11.

Trimmeri kaitsepiire on varustatud jõhvi lõikamise teraga. Jõhvi lõikamise tera lõikab pidevalt lõikejõhvi, et tagada ühtlane ja tõhus lõikediameter. Pikendage jõhvi alati kui kuulete, et mootor töötab tavapärasest kiiremini või lõiketulemus halveneb. Sedasi saavutate parima tulemuse ning hoiate jõhvi edasi liikumiseks piisavalt pika.

## 5 HOOLDUS

### i OLULINE

Enne seadme puhastamist, remontimist või hooldustöid lugege nii ohutusjuhiseid kui kasutusjuhendit ja tehke need endale selgeks.

### i OLULINE

Veenduge, et kõik mutrid, poldid ja kruvid on korralikult kinni. Kontrollige regulaarselt käepidete korrektset paigaldust.

### i OLULINE

Kasutage ainult originaalvaruosi ja -tarvikuid.

## 5.1 ÜLDINE INFORMATSIOON

### i OLULINE

Käesolevas kasutusjuhendis mittekirjeldatud hooldustöid võib teostada ainult teie edasimüüja või volitatud teenindus.

Enne hooldustöötinguid:

- Peatage seade.
- Eemaldage akuplokk.
- Laske mootoril jahtuda.
- Hoiustage seadet jahedas ja kuivas kohas.
- Kasutage korrektset riietust, kaitsekindaid ja kaitseprille.

## 5.2 SEADME PUHASTAMINE

- Pärast iga kasutuskorda puhastage seadet neutraalsesse pesuvahendisse kastetud niiske lapiga.
- Ärge kasutage plastikosade ja käepidemete puhastamiseks tugevatoimelisi pesuvahendeid või lahusteid „nagu klaasipuhastusvahend“.
- Hoidke trimmeripea murust, lehtedest ja liigsest määrdeainest vaba.
- Ülekuumenemise ja sellest tuleneva mootori kahjustumise vältimiseks hoidke ventilatsiooniavad puhtad ja prahivabad.
- Ärge pihustage mootorile ja teistele elektrikomponentidele vett.

## 5.3 VAHETAGE POOL VÄLJA

Joonis 12 - 20.

1. Lükake trimmeripea küljel olevaid sakke samaaegselt.
2. Tõmmake ja eemaldage pooli kate.
3. Eemaldage järelejäänud pool.
4. Pange pool pooli katte sisse.

### i MÄRKUS

Enne uue pooli paigaldamist veenduge, et uue pooli lõikejõhv on pilus ja ulatub umbes 15 cm ulatuses välja.

5. Pange lõikejõhvi otsad aukudest läbi.

- Pikendage lõikejõhvi, et vabastada see pooli juhtpilust.
- Paigaldage pool ja pooli kate trimmeripea külge.
- Lükake pooli katet, kuni see klõpsatusega oma asendisse kinnitub.

## 5.4 PANGE POOLILE UUS LÕIKEJÕHV

Joonis 14 - 16.

### i MÄRKUS

Eemaldage pooliit järelejäänud lõikejõhv.

### i MÄRKUS

Kasutage ainult nailonlõikejõhvi läbimõõduga . 2 mm

- Lõigake umbes 3 m tükk lõikejõhvi.
- Painutage jõhvi keskkohast ja kinnitage aas pooli keskel asuvasse pilusse. Veenduge, et jõhv kinnitub pilusse klõpsatusega.
- Hoides sõrme jõhvi otste vahel, kerige jõhvid võrdset ja tihedalt ümber pooli.
- Paigutage jõhvid juhtpiludesse.
- Ärge kerige jõhve üle pooli äärte.

## 5.5 PANGE TRIMMERIPEA KOKKU

Joonis 21.

- Pange vahepuks korrektselt võllile.
- Kinnitage sisemine rõngasmutter näidatud suunas sisemise kate külge.
- Veenduge, et sisemise rõngasmutteri sooned joonduvad täpselt nurga ülekande omadega.
- Pange mutrivõti ettenähtud nurga ülekande avasse.
- Keerake trimmeripead ja lükake mutrivõtit, kuni mutrivõti kinnitub sisemise ratasmutteri avasse, blokeerides pöörlemise.
- Pange trimmeripea kokku.
- Pingutamiseks keerake trimmeripead vastupäeva.
- Eemaldage mutrivõti.

### i OLULINE

Trimmeripea kasutamisel tuleb paigaldada jõhvi lõikamise tera.

## 5.6 EEMALDAGE TRIMMERIPEA

Joonis 21.

- Pange mutrivõti ettenähtud nurga ülekande avasse.
- Keerake trimmeripead ja lükake mutrivõtit, kuni mutrivõti kinnitub sisemise ratasmutteri avasse, blokeerides pöörlemise.

- Lõdvemaks laskmiseks keerake trimmeripead päripäeva. Ärge eemaldage võlliit vahepuksi.

## 5.7 VAHETAGE POOLAUTOMAATSE ETTEANDE NUPP VÄLJA

Joonis 13.

- Lükake trimmeripea küljel olevaid sakke samaaegselt.
- Tõmmake ja eemaldage pooli kate.
- Eemaldage pool.
- Hoidke poolautomaatse etteande nuppu ja kangutage see metallvarda (ei ole komplektis) abil välja.
- Pange uus poolautomaatse etteande nupp pooli korpusesse.

## 5.8 PANGE VÕSALÕIKUR KOKKU

Joonis 22 - 23.

### ▲ HOIATUS

Kandke kindaid ja olge teravate servade suhtes ettevaatlik.

### ▲ HOIATUS

Paigaldage terale kaitsepiire.

- Pange vahepuks korrektselt võllile.
- Kinnitage sisemine rõngasmutter näidatud suunas sisemise kate külge.
- Veenduge, et sisemise rõngasmutteri sooned joonduvad täpselt nurga ülekande omadega.
- Kinnitage tera ja välimine ratasmutter nii, et lapik osa jääb tera poole.
- Kinnitage välimine kate, aga ärge mutrit pingutage.
- Pange mutrivõti ettenähtud nurga ülekande avasse.
- Keerake tera ja lükake mutrivõtit, kuni tera sobitub sisemise ratasmutteri avasse, blokeerides pöörlemise.
- Keerake mutrit vastupäeva 19 mm või 3/4" mutrivõtme abil (44/58 Nm).

## 5.9 EEMALDAGE VÕSALÕIKUR

Joonis 22 - 23.

### ▲ HOIATUS

Paigaldage terale kaitsepiire.

- Pange mutrivõti ettenähtud nurga ülekande avasse.
- Keerake tera ja lükake mutrivõtit, kuni mutrivõti kinnitub sisemise ratasmutteri avasse, blokeerides pöörlemise.

- Vabastage mutter päripäeva ja eemaldage välimine kate.
- Eemaldage välimine ratasmutter, tera, sisemine kate ja sisemine ratasmutter. Ärge eemaldage võlliit vahepuksi.

## 6 TRANSPORT JA HOIUSTAMINE

### 6.1 SEADME LIIGUTAMINE

Seadme transportimisel:

- Kandke kindaid.
- Peatage seade.
- Akuploki eemaldamine.
- Paigaldage terakaitse.

### 6.2 SEADME HOIUSTAMINE

- Eemaldage akuplokk seadmest ja laadige see täis.
- Jälgige, et seade oleks lastele kättesaamatus kohas.
- Hoidke seade eemal söövitavatest ainetest, nagu näiteks aiakemikaalid ja jää eemaldamise soolad.
- Kahjustuste või vigastuste vältimiseks kinnitage seade transportimiseks. Puhastage seade ja kontrollige, et see ei ole kahjustunud.

## 7 VEAOTSING

Probleem	Võimalik põhjus	Lahendus
Päästiku vajutamisel seade ei käivitu.	Seadme ja akuploki vahel puudub elektriline ühendus.	1. Eemaldage akuplokk. 2. Kontrollige ühendust ja paigaldage akuplokk uuesti.
	Akuplokk on tühi.	Laadige akuplokki.
	Lukustusnupp ja päästikut ei vajutatud samaaegselt.	1. Tõmmake lukustusnupp ja hoidke seda. 2. Seadme käivitamiseks tõmmake päästikut.

Probleem	Võimalik põhjus	Lahendus
Seade peatub lõikamise ajal.	Seadmele ei ole kinnitatud kaitsepiiret.	Eemaldage akuplokk ja kinnitage kaitsepiire seadme külge.
	Kasutatakse raskeket jõhvi.	Kasutage ainult nailonlõikejõhvi läbimõelduga . 2 mm
	Muru keerdub ümber mootorivõlli või trimmeripea.	1. Peatage seade. 2. Eemaldage akuplokk. 3. Eemaldage muru mootorivõlli ja trimmeripea ümbert.
	Mootor on ülekoormatud.	1. Eemaldage trimmeripea muru seest. 2. Mootori võimsus taastub viivitamatult koormuse eemaldamisega. 3. Lõikamisel liigutage trimmeripead lõigatavasse murusse ja sealt ära ning eemaldage ühe liigutusega kõige rohkem 8" jagu muru.
Akuplokk või seade on liiga kuum.	1. Jahutage akuplokki, kuni see hakkab normaalselt funktsioneerima. 2. Jahutage seadet umbes 10 minuti jooksul.	
Akuplokk on tööriista küljest lahti ühendatud.	Paigaldage akuplokk uuesti.	
Akuplokk on tühi.	Laadige akuplokki.	

Probleem	Võimalik põhjus	Lahendus
Jõhv ei liigu edasi.	Jõhvi otsad on üksteise külge kleepunud.	Määrige neid silikoonpihusti abil.
	Poolil pole piisavalt jõhvi.	Lisage jõhvi.
	Jõhvi otsad on liiga lühikeseks kulunud.	Tõmmake lõikejõhvi välja.
	Jõhvi otsad on pooli ümber sõlme läinud.	1. Eemaldage jõhv poolilt. 2. Kerige jõhvi.
Jõhv läheb pidevalt katki.	Seadet kasutatakse valesti.	1. Lõigake jõhvi otsaga, vältige kokkupuudet kivide, seinte ja teiste kõvade esemetega. 2. Tõmmake lõikejõhvi regulaarselt välja, et säiliks täielik lõikelaius.
Muru kerib ümber trimmeripea ja mootori korpuse.	Lõigake kõrget muru maapinnalt.	1. Lõigake pikka muru ülalt alla. 2. Ümberkerimise vältimiseks eemaldage iga liigutusega kõige rohkem 8" ulatuses muru.
Jõhv ei lõika hästi.	Jõhvi lõikamise tera muutub nürks.	Teritage jõhvi lõikamisa tera viiliga või vahetage see välja.
Vibratsioon suureneb märgatavalt.	Jõhv on ühelt poolt kulunud ja seda ei ole õigel ajal välja tõmmatud.	Veenduge, et mõlemale küljele jääb jõhvi võrdset. Tõmmake lõikejõhvi välja.

## 8 TEHNILISED ANDMED

Pinge	40 V
Koormuseta kiirus	6300 ±10%rpm (Murutrimmer), 6800±10%rpm (Võsalõikur)
Lõikepea	Poolautomaatne (muhuga) jõhvi etteanne / võsalõikuri tera
Lõikejõhvi läbimõõt	2 mm
Lõikeläbimõõt	356/406mm (Murutrimmer), 254mm (Võsalõikur)

Kaal (ilma akuplokita)	4.5 kg	
Aku mudel	G40B2/G40B25/G40B4 ja teised BAF seeriad	
Laadija mudel	G40C ja teised CAF seeriad	
Murutrimmer	Mõõdetud helirõhu tase	$L_{PA}=78.4 \text{ dB(A)}$ , $K_{PA}= 3 \text{ dB(A)}$
	Garanteeritud helivõimsuse tase	$L_{WA,d}=96 \text{ dB(A)}$
	Vibratsioonitase	$<2.5 \text{ m/s}^2$ , $k=1.5 \text{ m/s}^2$
Võsalõikur	Mõõdetud helirõhu tase	$L_{PA}=82.8 \text{ dB(A)}$ , $K=3 \text{ dB(A)}$
	Garanteeritud helivõimsuse tase	$L_{WA,d}=101 \text{ dB(A)}$
	Vibratsioonitase	$<2.5 \text{ m/s}^2$ , $k=1.5 \text{ m/s}^2$



96 dB. Mürataseme väärtused. (Murutrimmer)

101 dB. Mürataseme väärtused. (Võsalõikur)

## 9 GARANTII

(Täielikud garantiitingimused on leitavad Greenworks veebilehel [www.greenworkstools.eu](http://www.greenworkstools.eu))

Greenworks Garantii kehtib tootele 3 aastat ja akudele (tarbijad - erakasutus) 2 aastat alates ostukuupäevast. Garantii kehtib tootja vigadele. Garantii alusel võidakse toode remontida või välja vahetada. Garantii ei kehti, kui toodet on väärkasutatud või seda on kasutatud vastuolus omaniku käsiraamatu juhistega. Garantii ei kehti normaalsele kulumisele. Edasimüüjate pakutavad täiendavad garantiid ei mõjuta algset tootjagarantiid.

Garantiinõude esitamiseks tagastage vigane toode ostukohta koos ostu tõendava dokumendiga (tšekiga).

## 10 EÜ VASTAVUSDEKLARATSIOON

Tootja nimi ja aadress:

Nimi: GLOBGRO AB

Globe Group Europe

Aadress: Riggaregatan 53, 211 13 Malmö, Rootsi

Name and address of the person authorised to compile the technical file:

Nimi: Micael Johansson  
Address: Riggaregatan 53, 211 13 Malmö, Rootsi

Käesolevaga kinnitame, et toode

Liik: Jõhvtrimmer / Vösalõikurb  
Mudel: 2105707(STF457)  
Seerianumber: Vt. toote andmesilti  
Tootmise aasta: Vt. toote andmesilti

- vastab asjakohase Masinadirektiivi 2006/42/EÜ nõuetele.
- vastab teiste järgnevate EÜ direktiivide nõuetele:
  - 2014/30/EL
  - 2000/14/EÜ & 2005/88/EÜ
  - 2011/65/EL & (EL)2015/863

Lisaks kinnitame, et on kasutatud järgnevaid harmoneeritud standardeid (või nende osi/punkte):

- EN 60335-1; EN 50636-2-91; EN 62233; EN 55014-1; EN 55014-2 ; EN ISO 3744; EN ISO 3744; ISO 11094; EN ISO 11806-1; IEC 62321-7-2; IEC 62321-4; IEC 62321-5; IEC 62321-6; IEC 62321-7-1; IEC 62321-8; IEC 62321-3-1.

Vastavuse hindamise meetod vastavalt direktiivi 2000/14/EÜ lisale VI.

Jõhvtrimmer

Mõõdetud helivõimsuse tase:  $L_{WA} : 93.3 \text{ dB(A)}$

Garanteeritud helivõimsuse tase:  $L_{WA,d} : 96 \text{ dB(A)}$

Vösalõikur

Mõõdetud helivõimsuse tase:  $L_{WA} : 97.3 \text{ dB(A)}$

Garanteeritud helivõimsuse tase:  $L_{WA,d} : 101 \text{ dB(A)}$

Koht, kuupäev: Allkiri: Ted Qu, kvaliteedijuht  
Malmö, 7.28.2021

Ted Qu





[www.greenworkstools.eu](http://www.greenworkstools.eu)



**greenworks®**

P0800681-02 Rev B