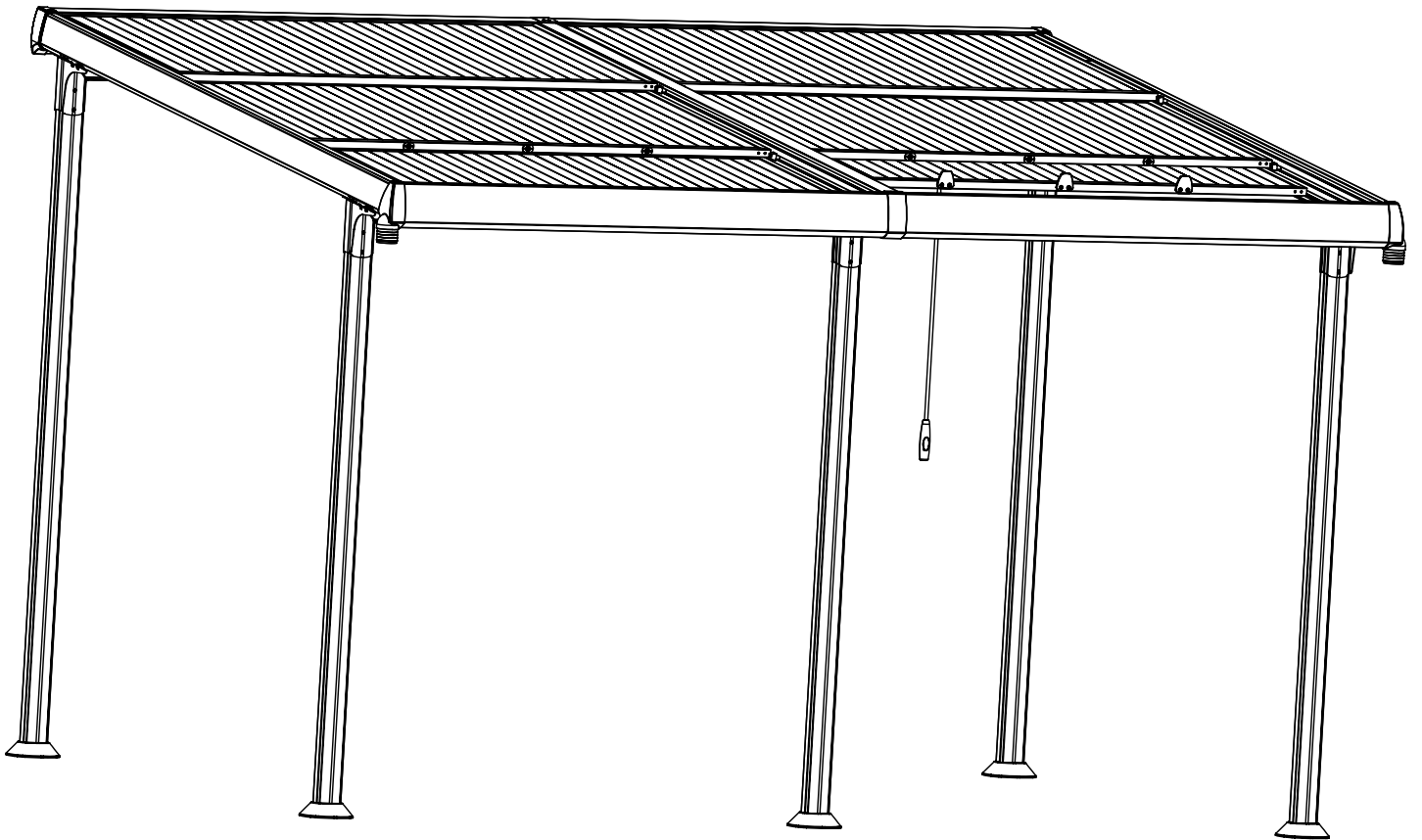










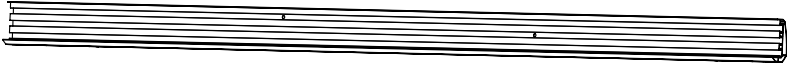
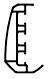
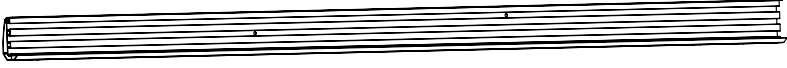
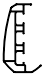




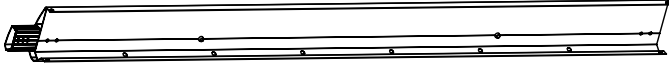

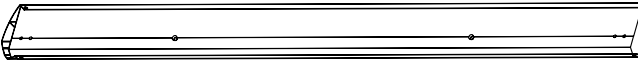

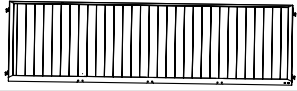
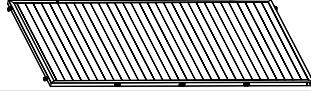
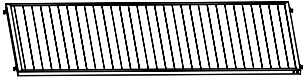
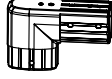
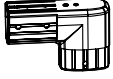
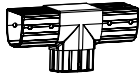




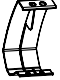
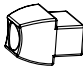


GFA00712C



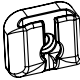
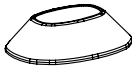



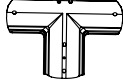
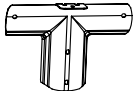
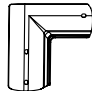
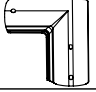

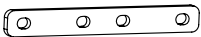



ASSEMBLY INSTRUCTION






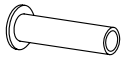
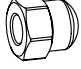
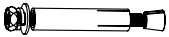


PARTS LIST

PARTS NO	QTY	DESCRIPTION			
A1	3				
A2	2				
B1	2				
B2	1				
B3	1				
C1	1				
C2	1				
D	1				
E	2				
F1	1				
F2	1				
G1	2		G2	2	
G3	2		H1	2	
H2	2		I	1	
J1	1		J2	1	
K1	1		K2	1	
L	1		M	8	

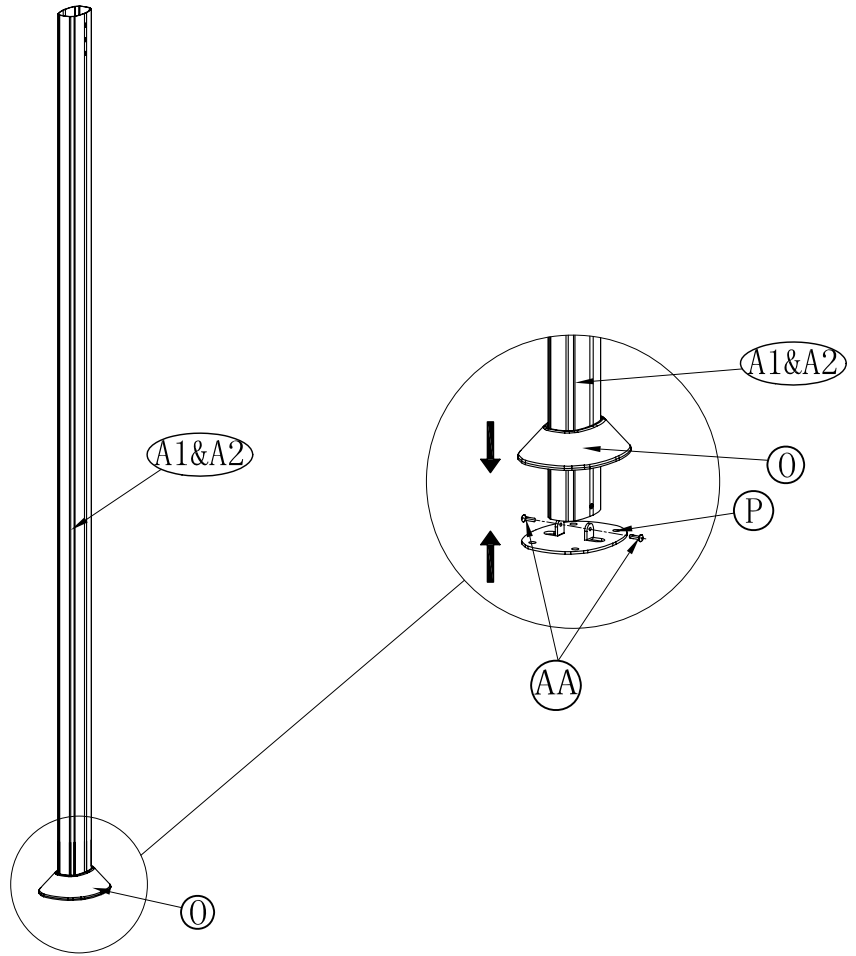
ASSEMBLY INSTRUCTION

PARTS LIST

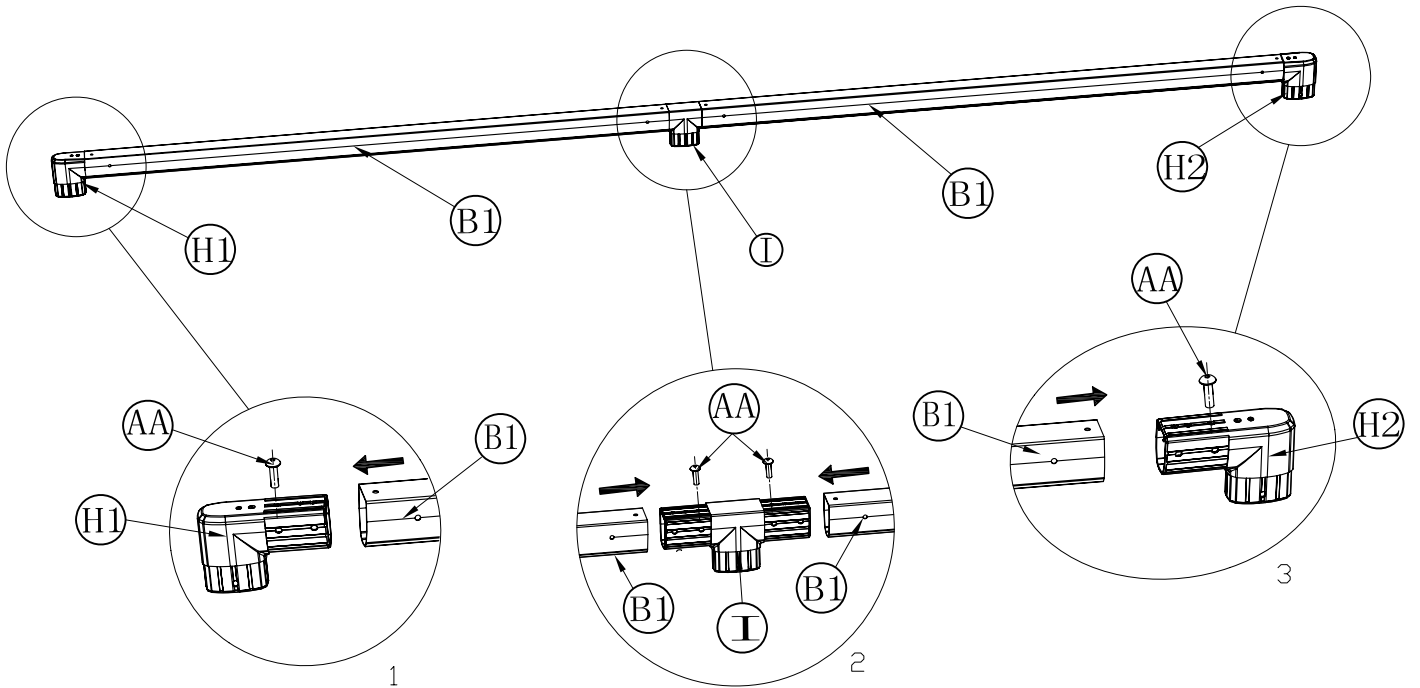
PARTS NO	QTY	DESCRIPTION			
N	1		O	5	
P	5		Q1	2	
Q2	2		R1	1	
R2	1		S1	2	
S2	2		T	1	
U	1		V	6	
W	1		X	1	

AA	78+2	 M6*15	BB	4	 M6*20
CC	16+2	 M6*72	DD	2	 M6*92
EE	6	 $\varnothing 8.8*20*M6*12$	FF	2	 $\varnothing 8.8*M6*39$
GG	18+2	 M6	HH	10	 M6*60mm
II	2		JJ	2	

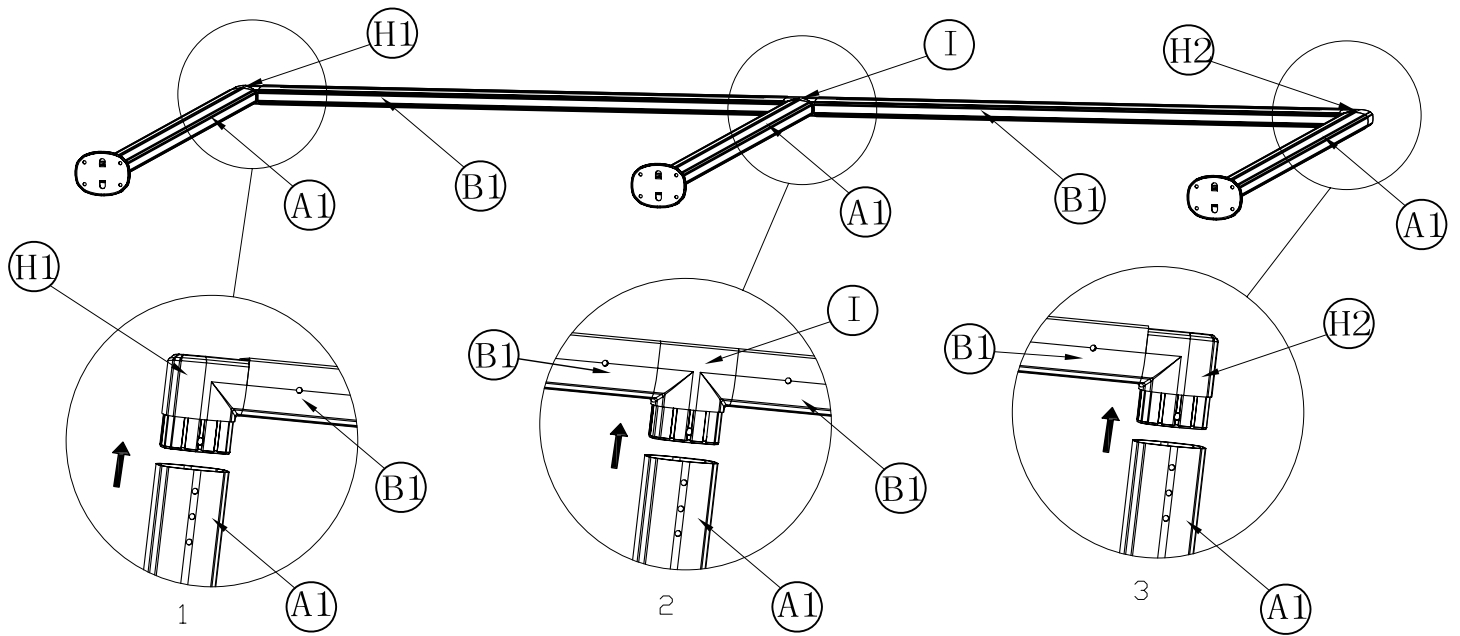
STEP 01



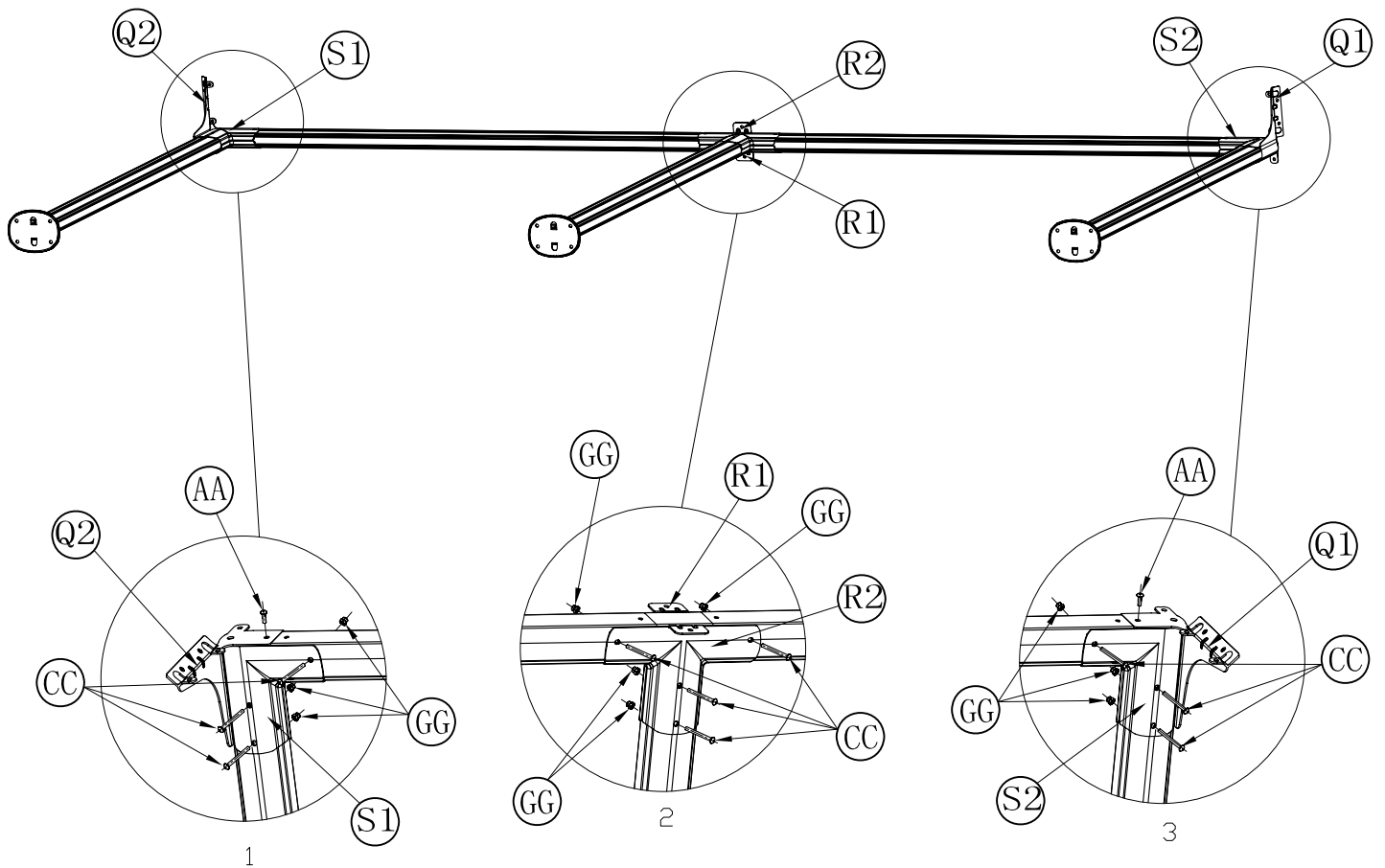
STEP 02



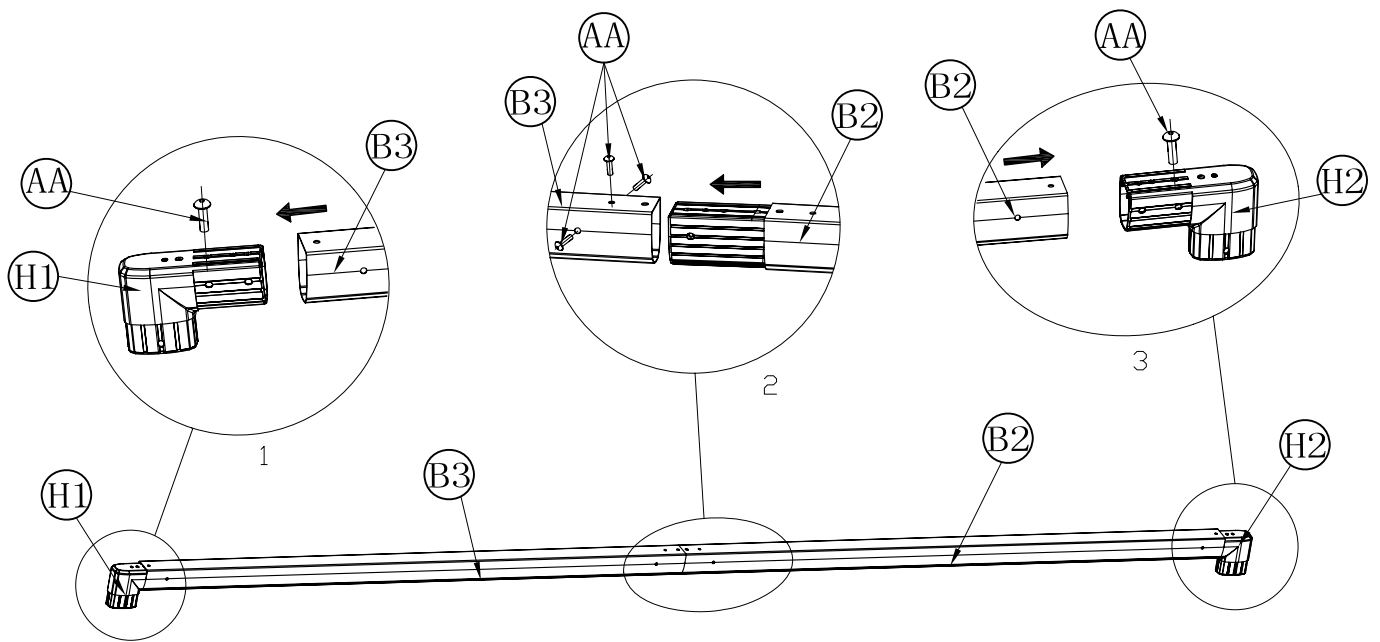
STEP 03



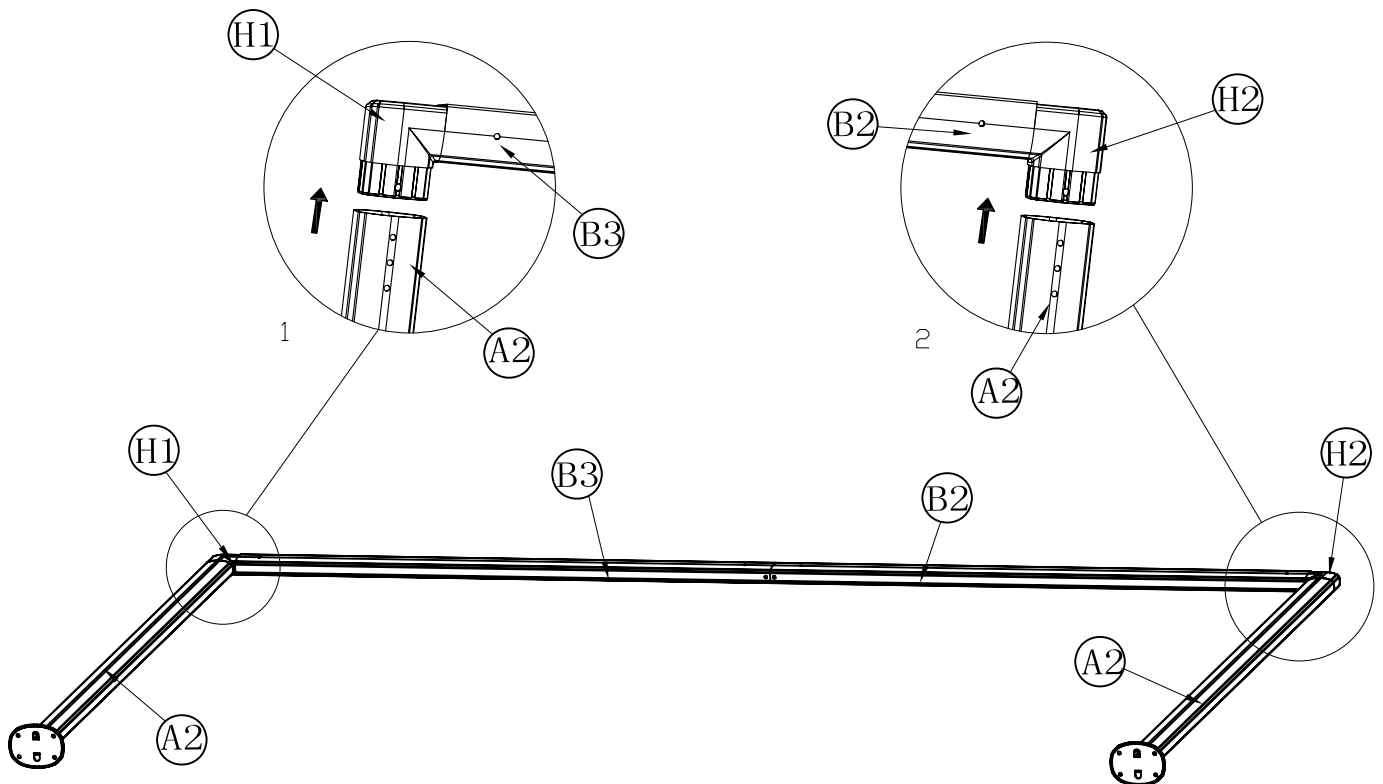
STEP 04



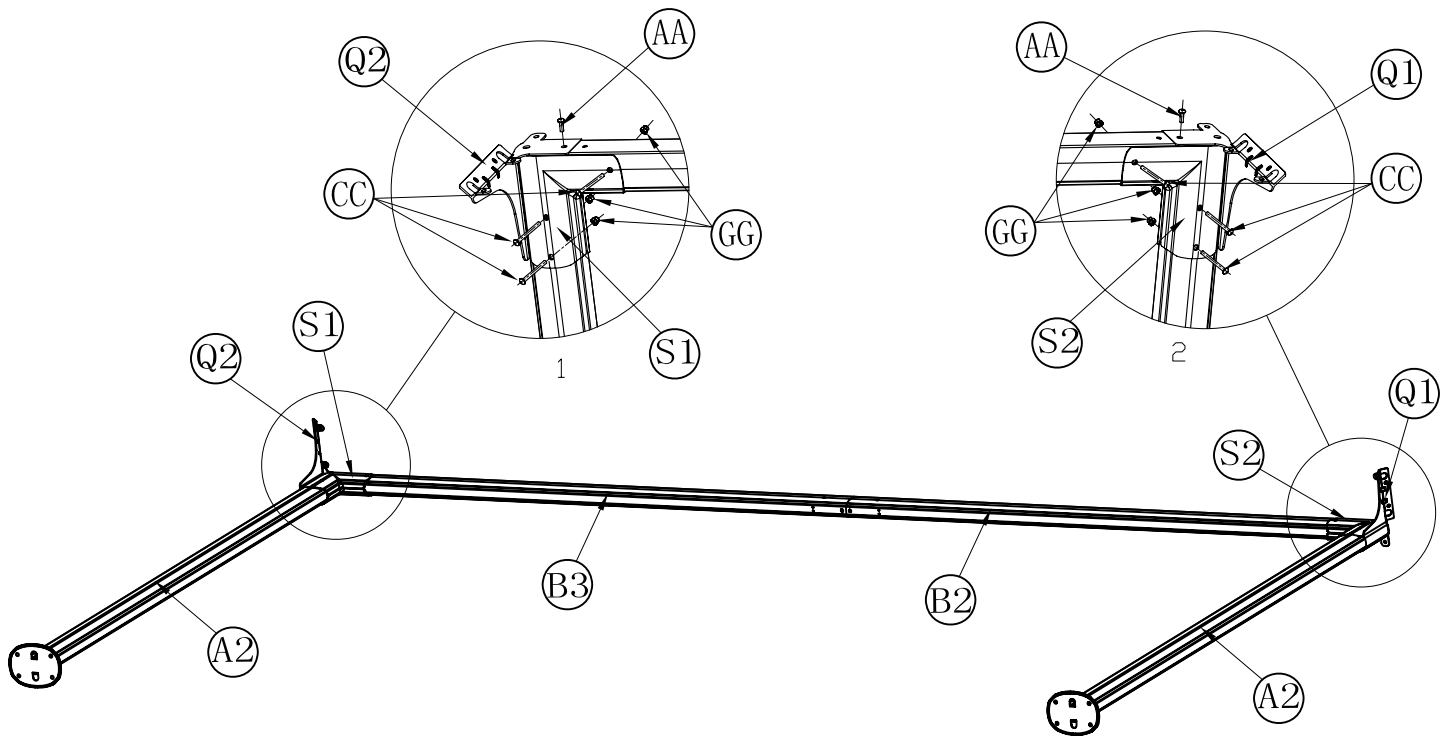
STEP 05



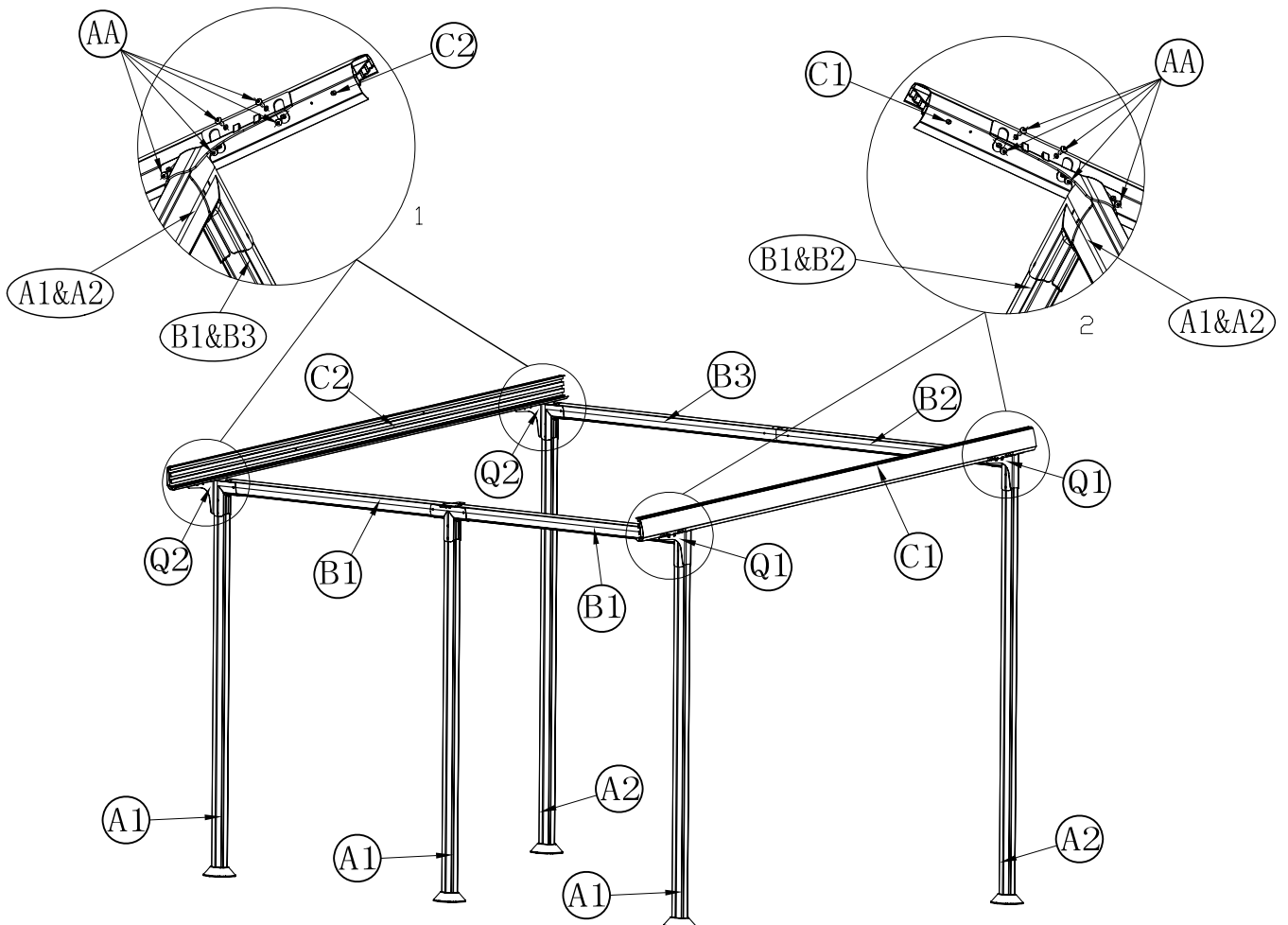
STEP 06



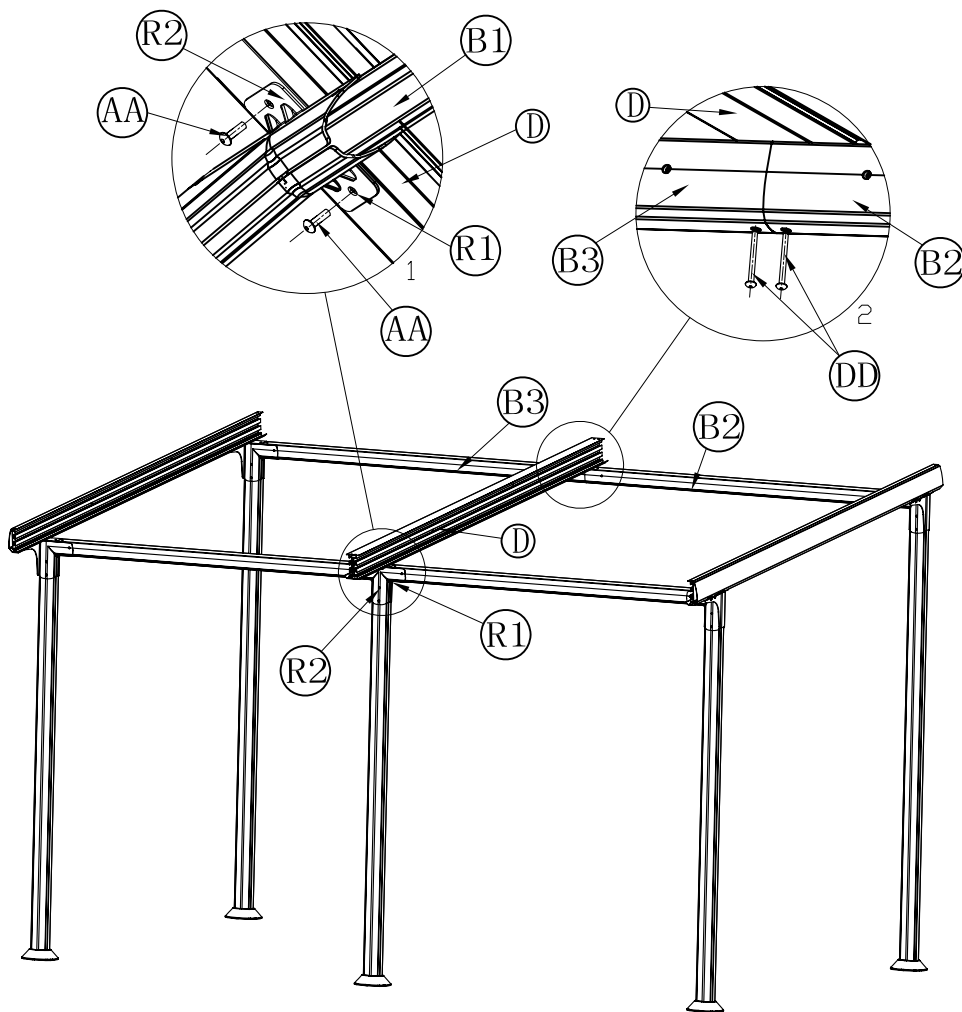
STEP 07



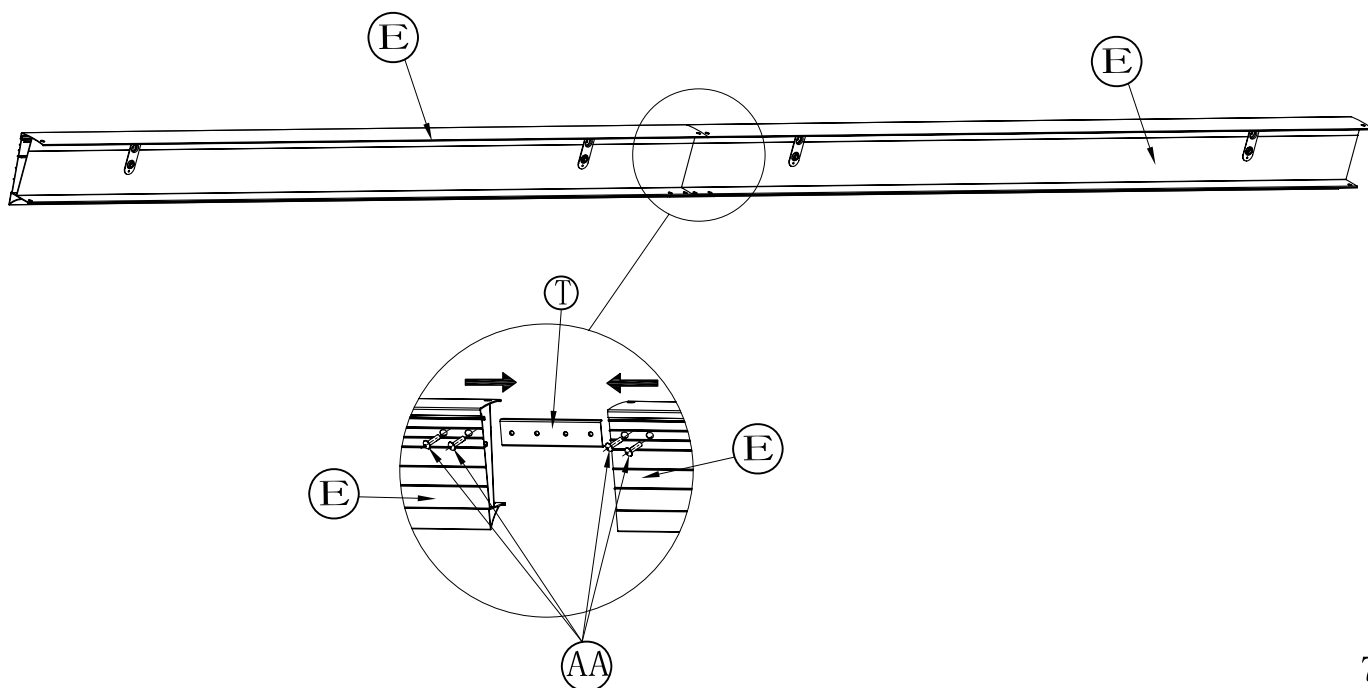
STEP 08



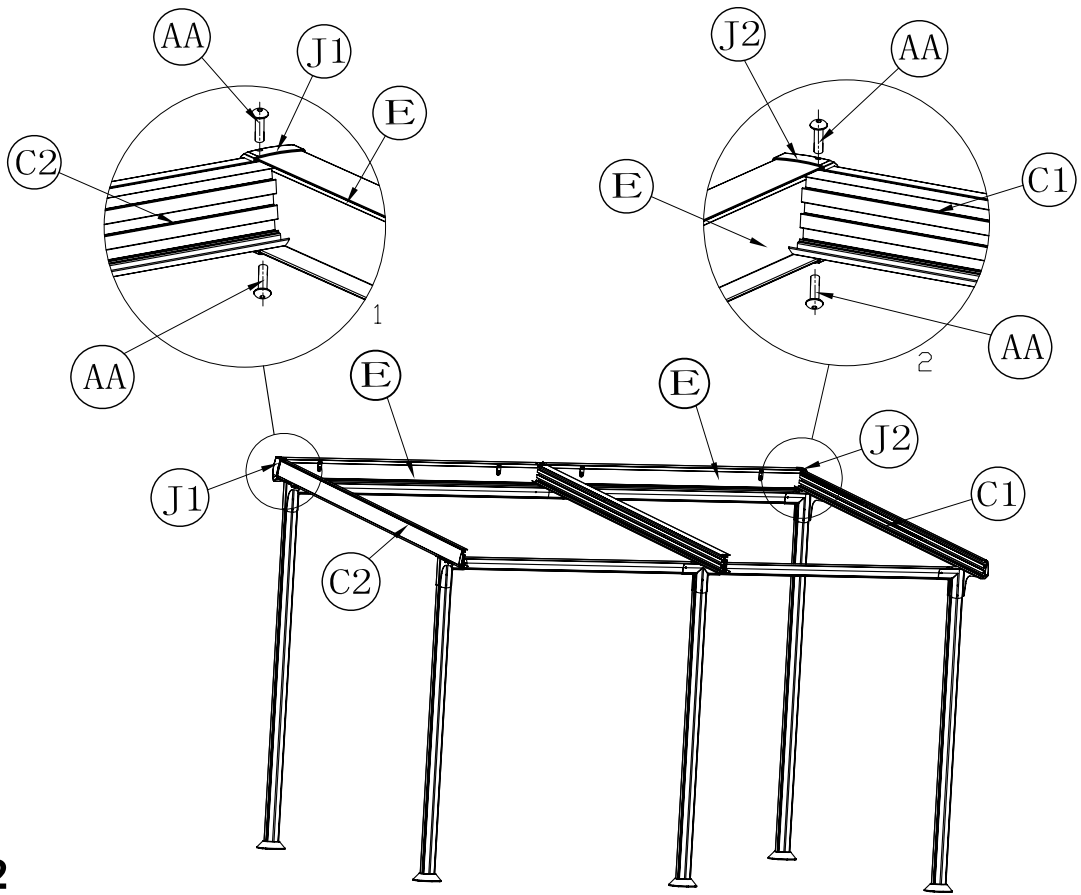
STEP 09



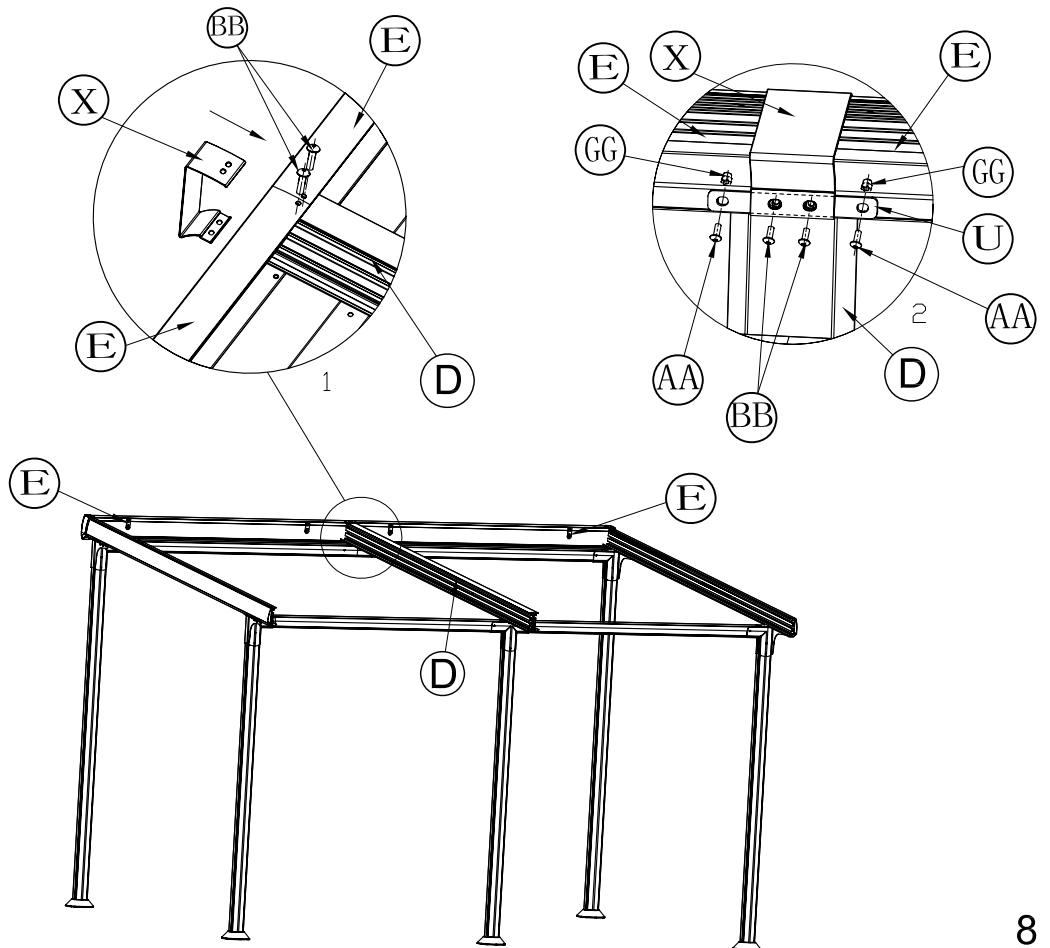
STEP 10



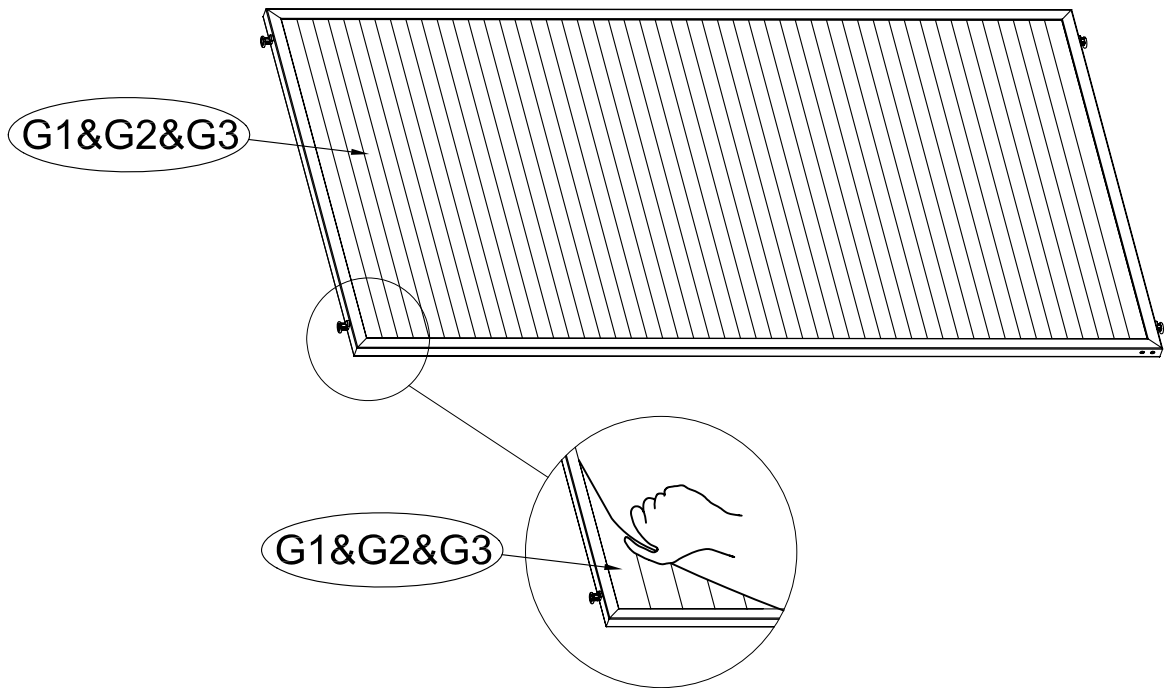
STEP 11



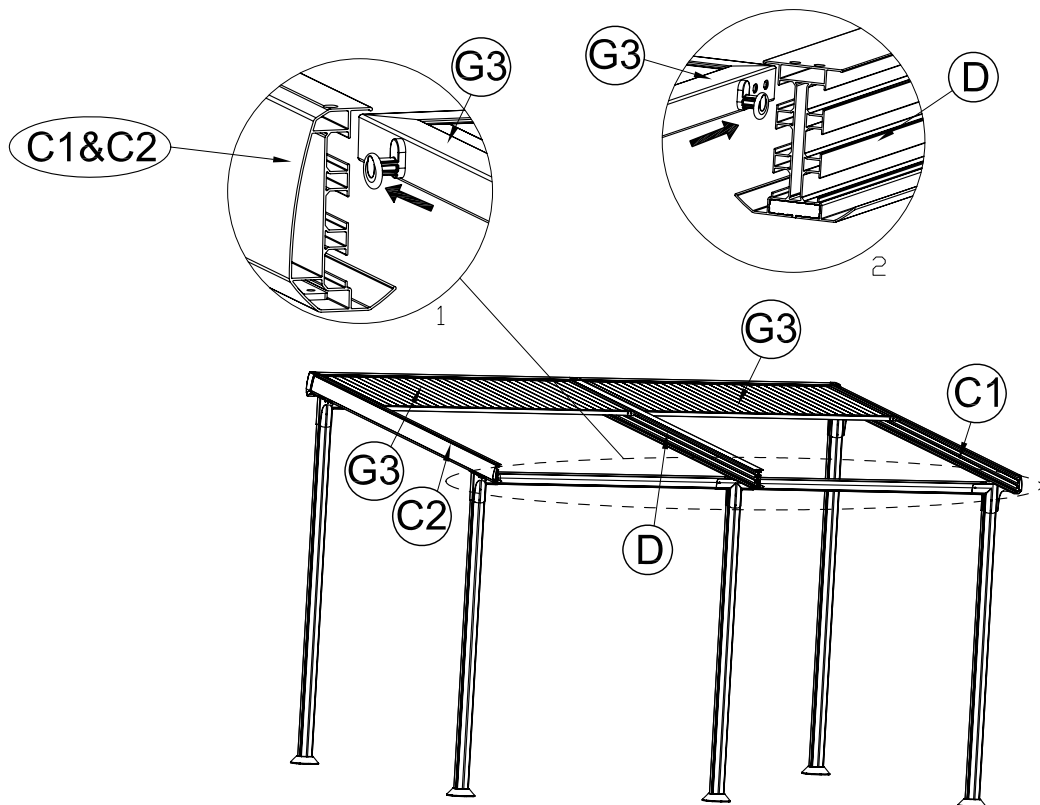
STEP 12



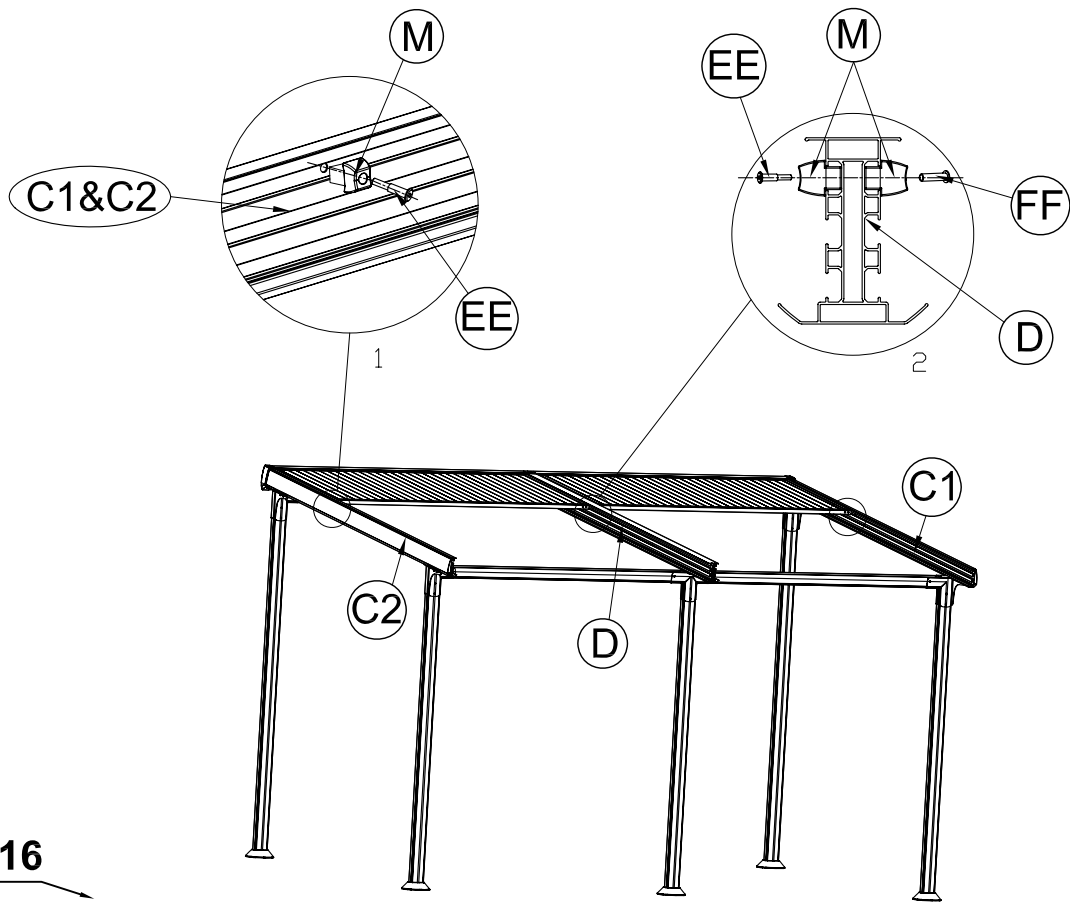
STEP 13



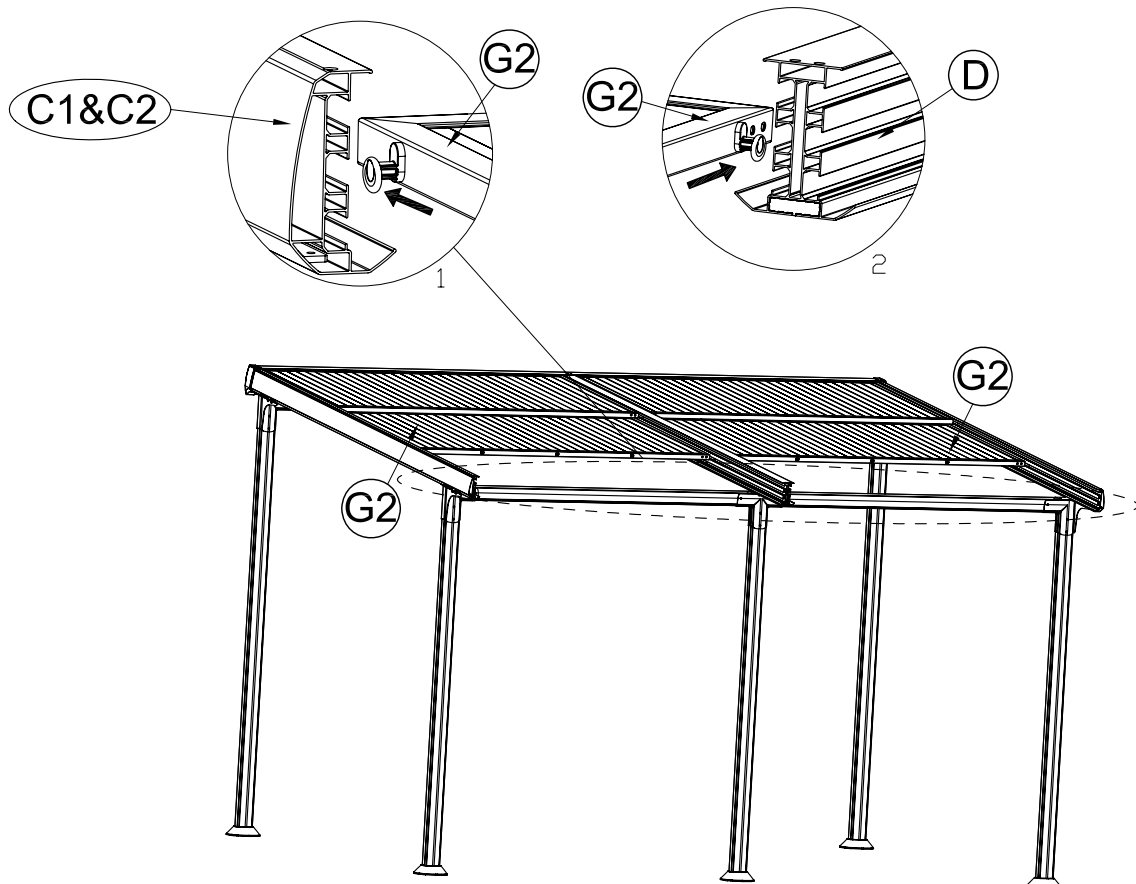
STEP 14



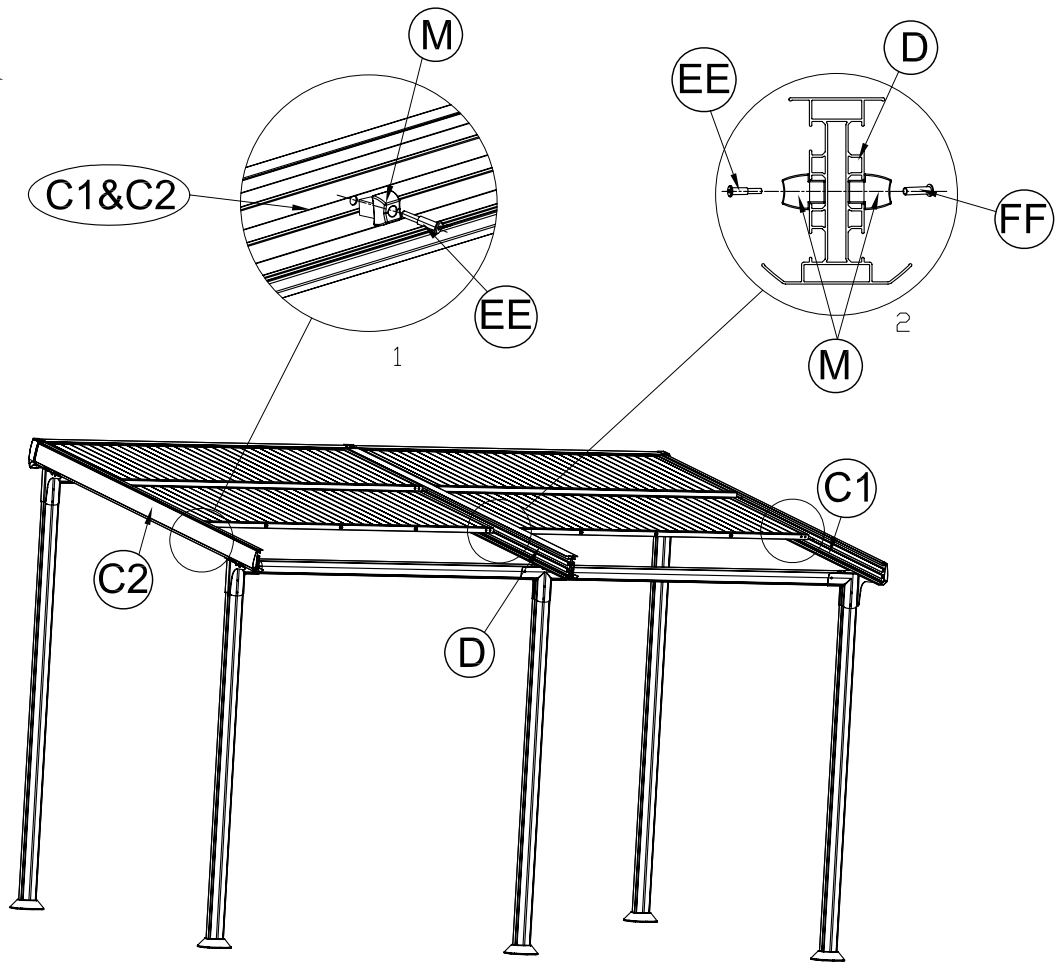
STEP 15



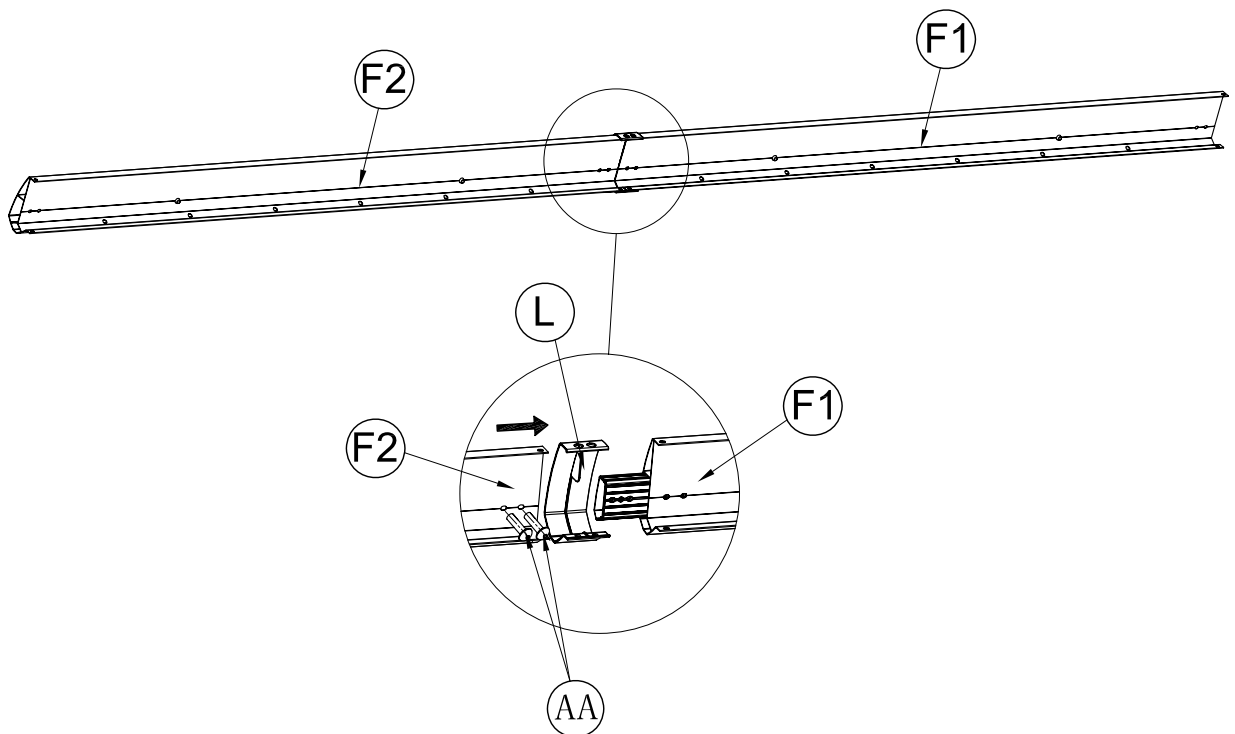
STEP 16



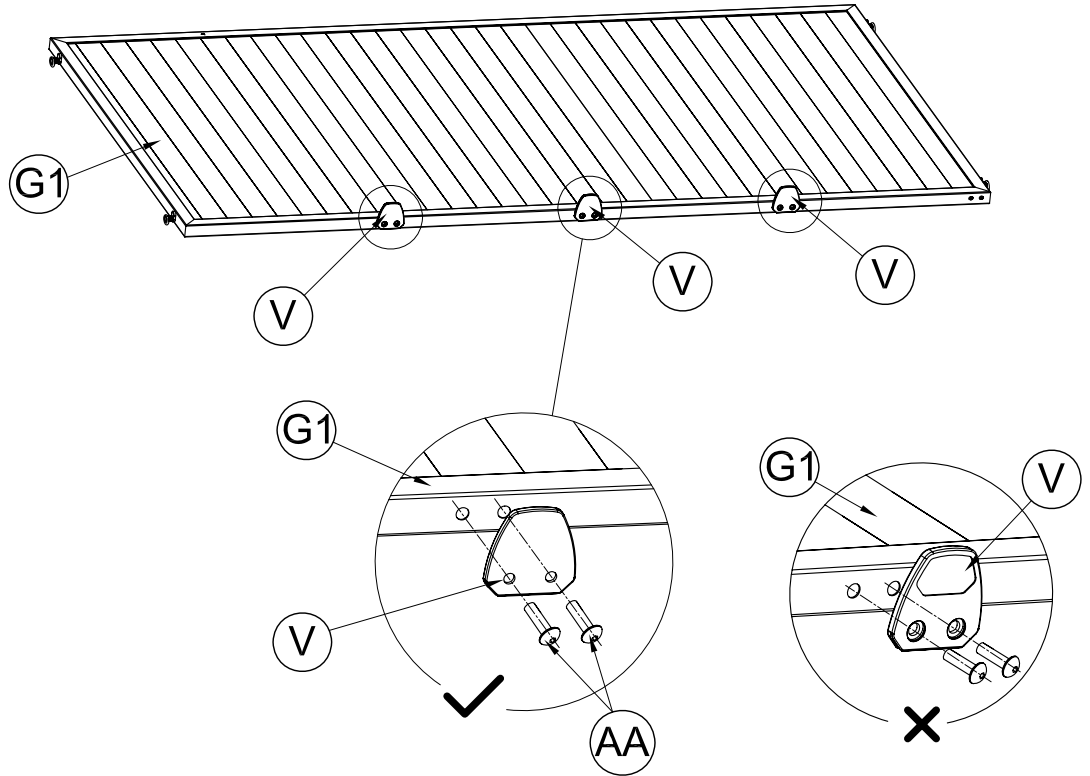
STEP 17



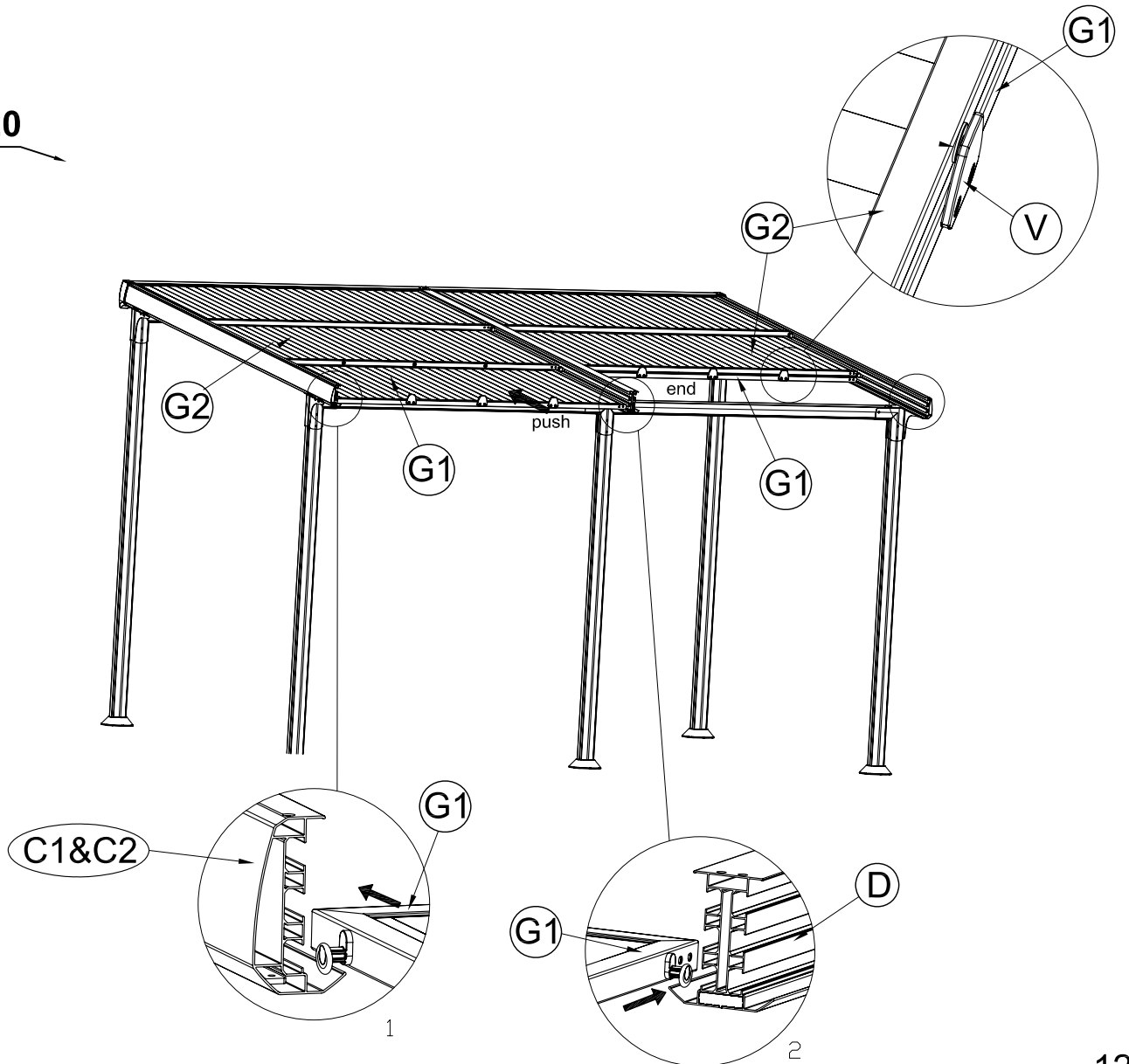
STEP 18



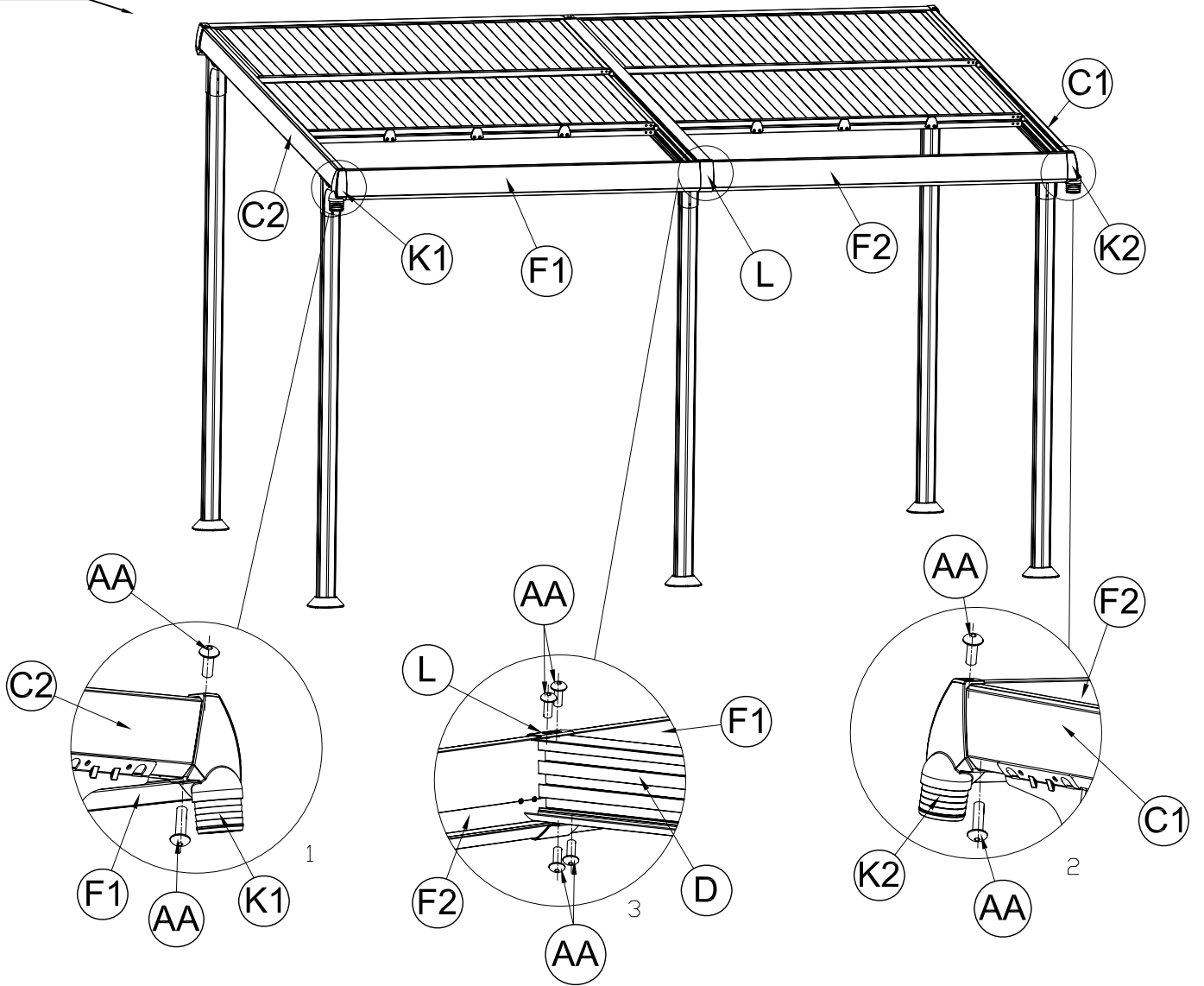
STEP 19



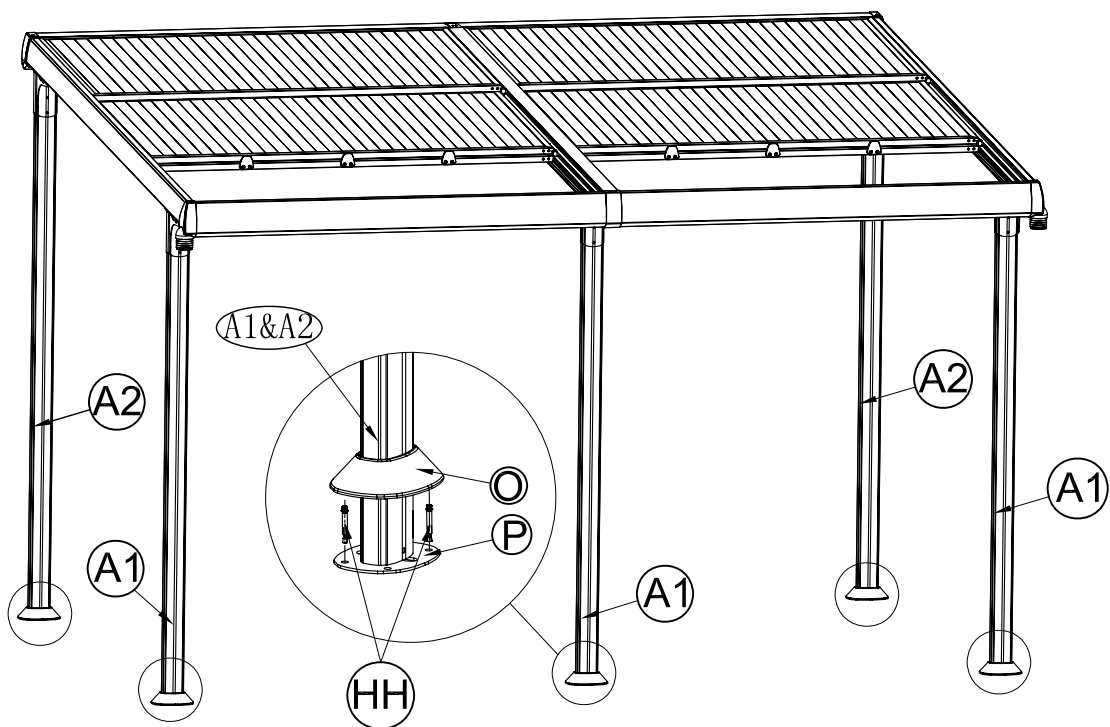
STEP 20



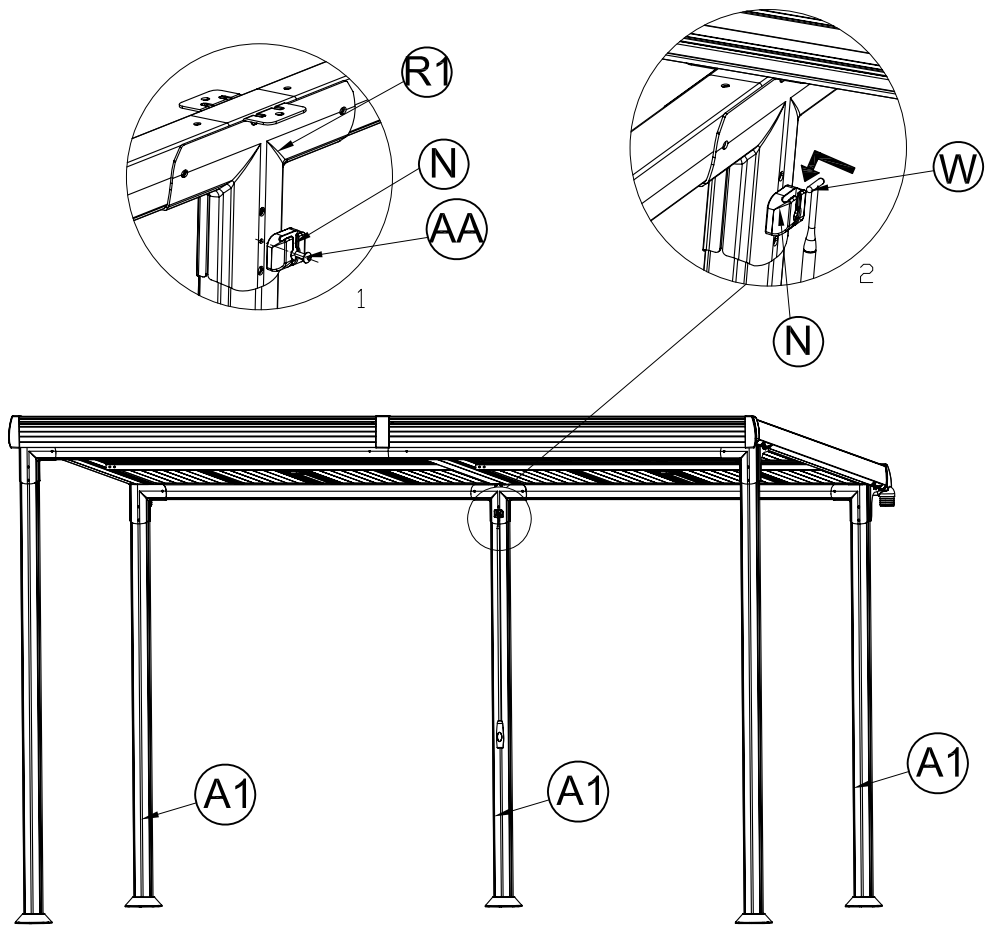
STEP 21



STEP 22



STEP 23



STEP 24

