


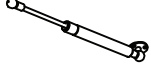

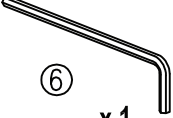

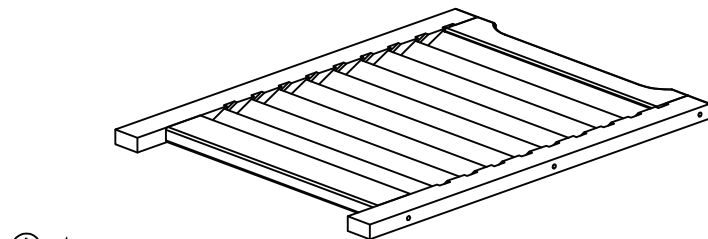
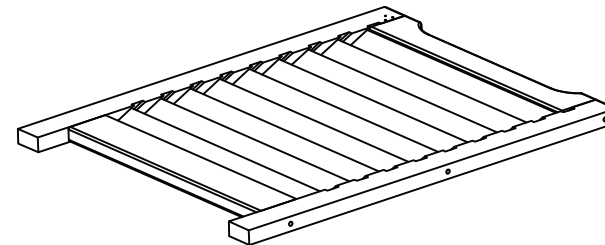


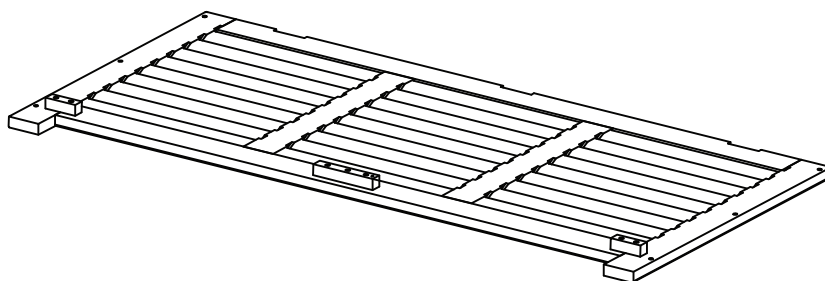
- 
① x 9 HW-ST-01-008 (4 x 20)
- 
② x 8 HW-ST-01-042 (7 x 60)
- 
③ x 4 HW-ST-01-037 (7 x 40)
- 
④ x 2 HW-ST-05-026 (Ø15 x 270)
- 
⑤ x 10 HW-ST-01-095 (4 x 15)
- 
⑥ x 1 HW-ST-18-001 (4 x 98)
- 
⑦ x 2 C-A-OT-SP-0011 (15x18x18, 13)



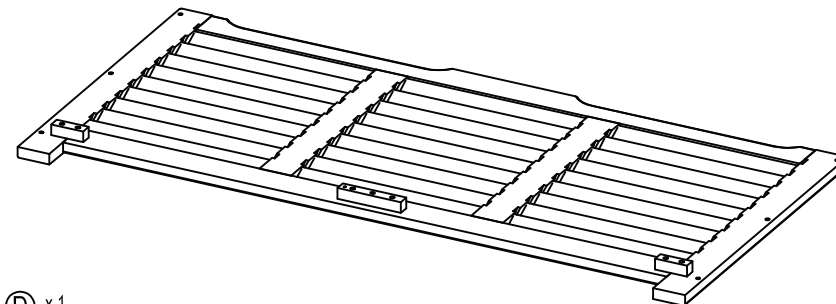
Ⓐ x1
SU-OT-SD-079



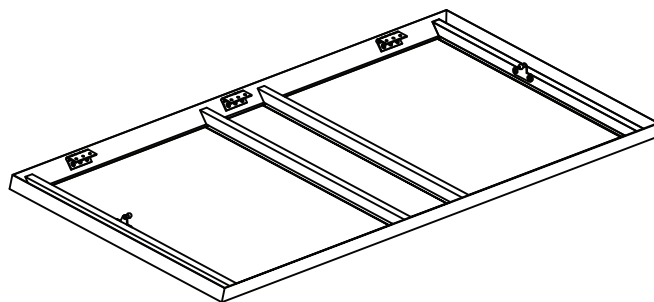
Ⓑ x1
SU-OT-SD-078



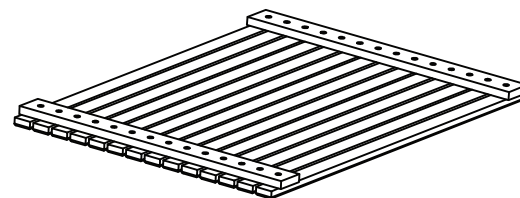
Ⓒ x1
SU-OT-SD-0051



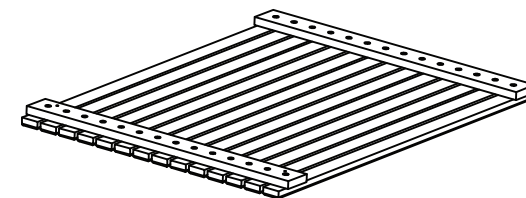
Ⓓ x1
SU-OT-SD-0052



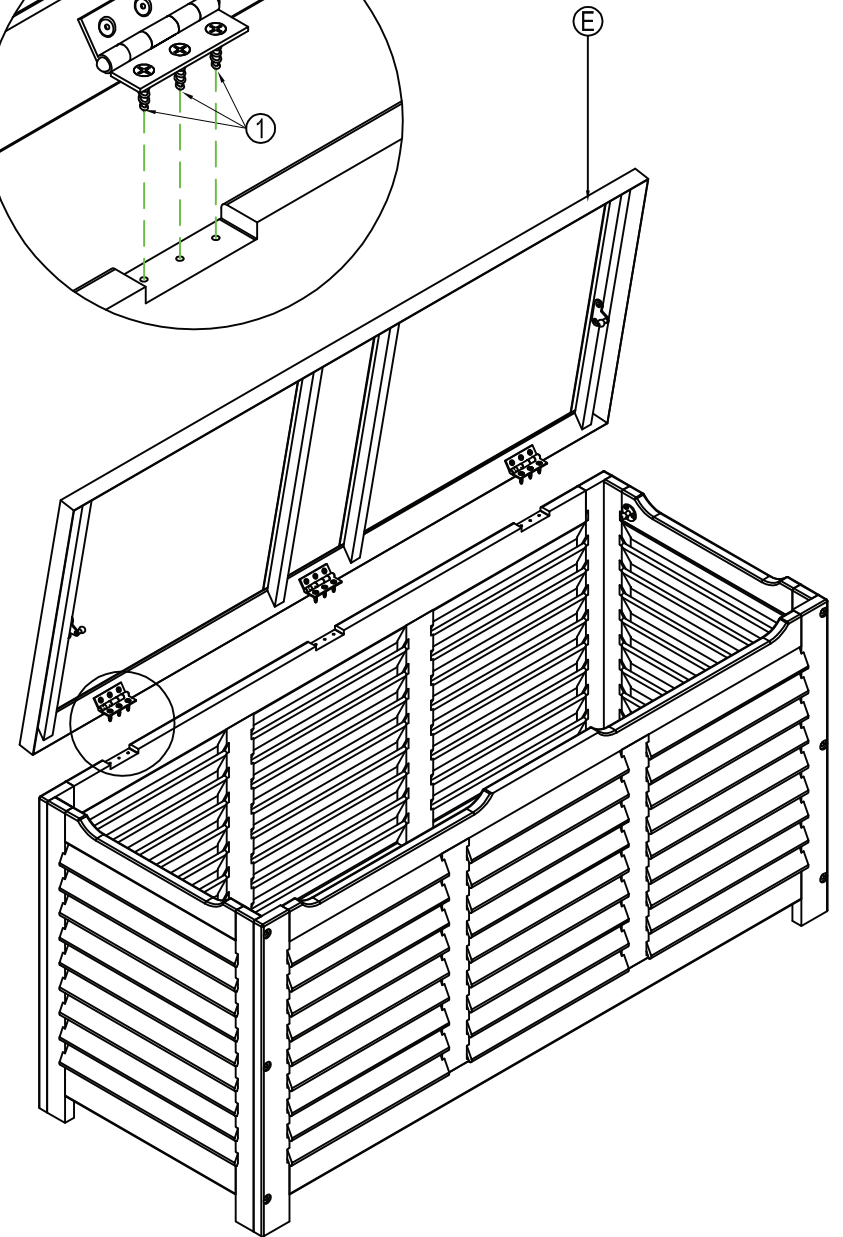
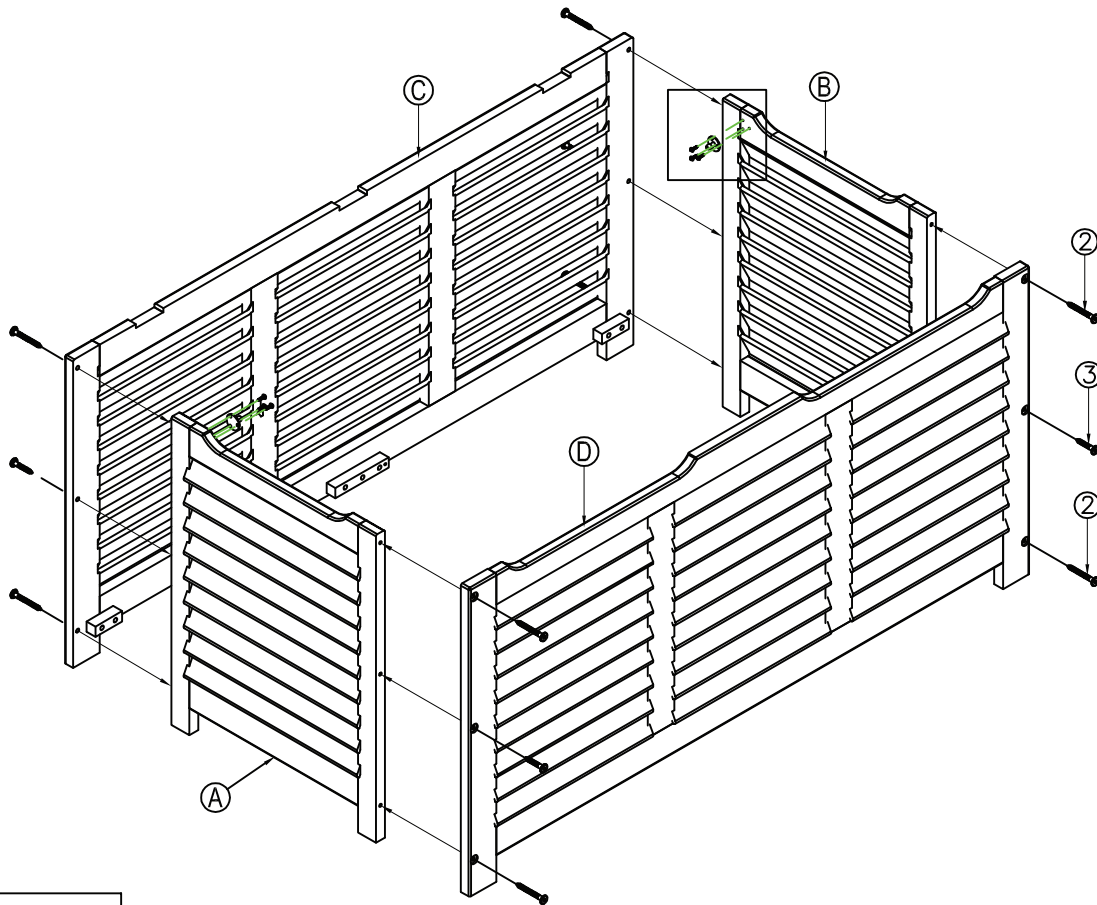
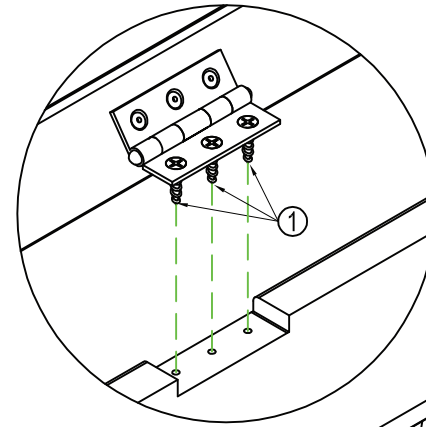
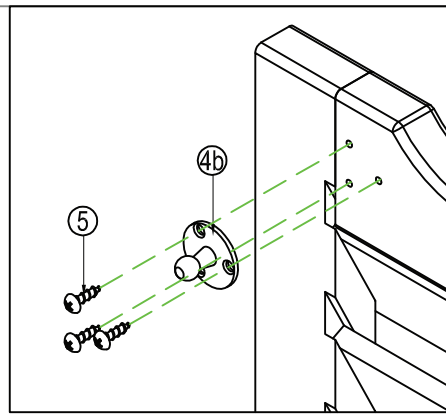
Ⓔ x1
SU-OT-TF-0042

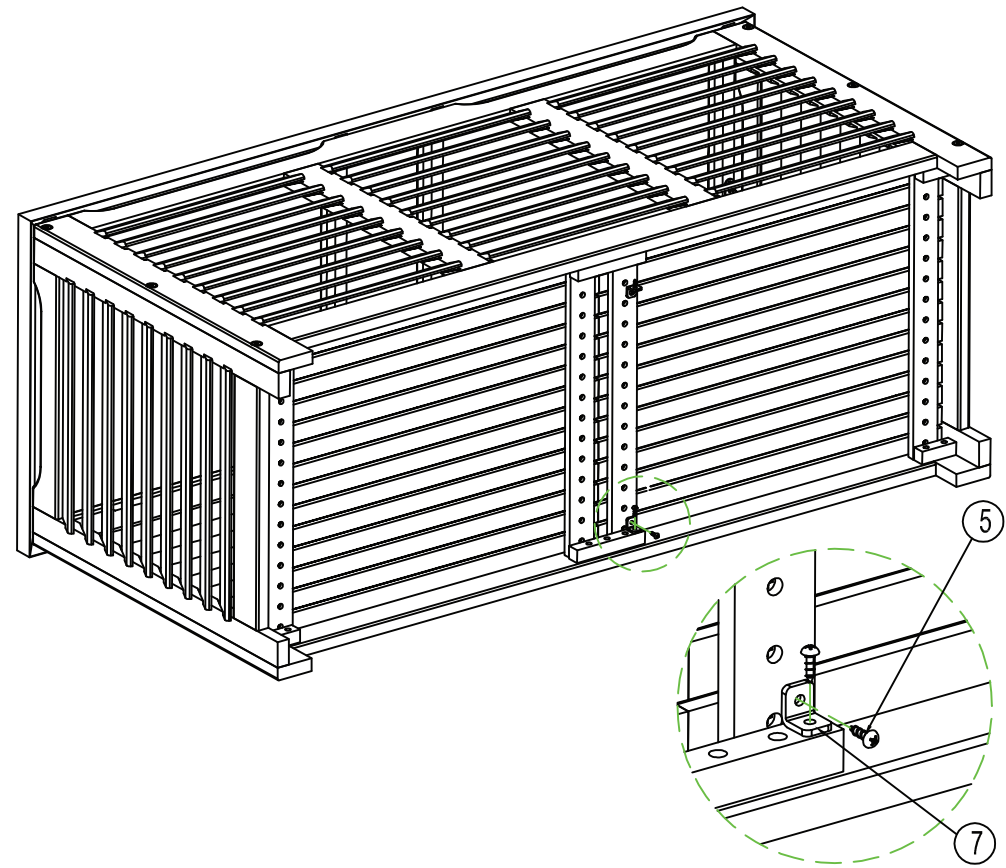
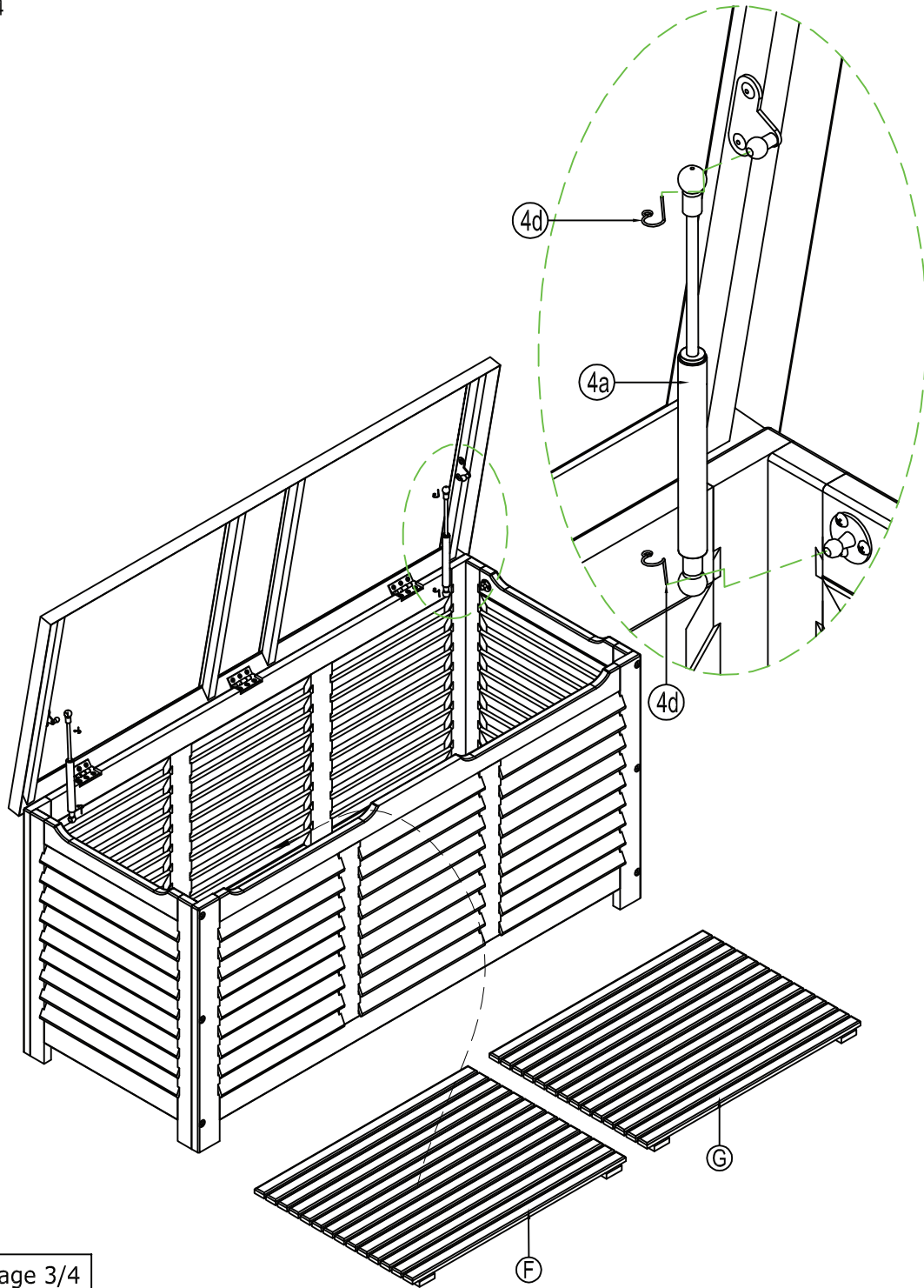


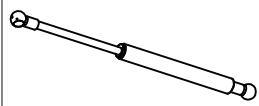
Ⓕ x1
SU-OT-BO-0014



Ⓖ x1
SU-OT-BO-0021







4a x2



4b x2

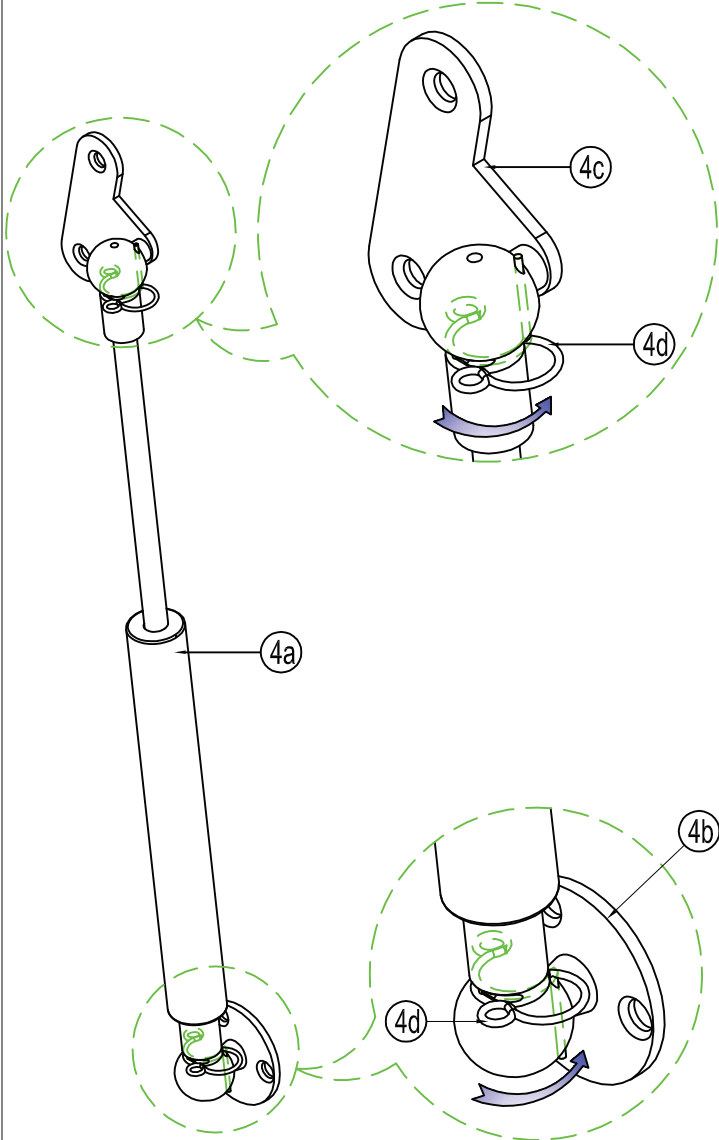


4c x2

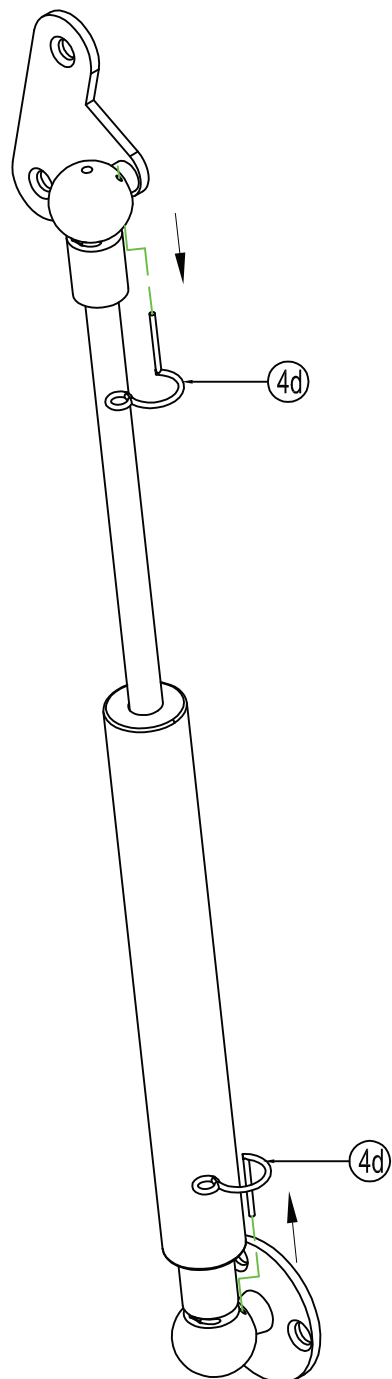


4d x4

1A



1B



1C

