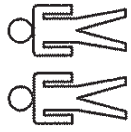


# ASSEMBLY INSTRUCTION

DE - MONTAGEANWEISUNG  
 FR - INSTRUCTIONS DE MONTAGE  
 DK - MONTAGEVEJLEDNING  
 CZ - NAVOD K MONTÁŽI  
 ES - INSTRUCCIONES DE MONTAJE  
 FI - ASENNUSOHJE

HR - UPUTE ZA MONTAŽU  
 SE - MONTERINGSANVISNING  
 SI - NAVODILA ZA MONTAŽO  
 TR - MONTAJ TALIMATI  
 NO - MONTASJEANVISNING  
 IT - ISTRUZIONI DI MONTAGGIO

GR - ΟΔΗΓΙΑ ΣΥΝΑΡΜΟΛΟΓΗΣΗΣ  
 NL - MONTAGE INSTRUCTIE  
 PT - INSTRUÇÕES DE MONTAGEM  
 PL - INSTRUKCJA MONTAŻU  
 HU - SZERELÉSI UTASÍTÁS



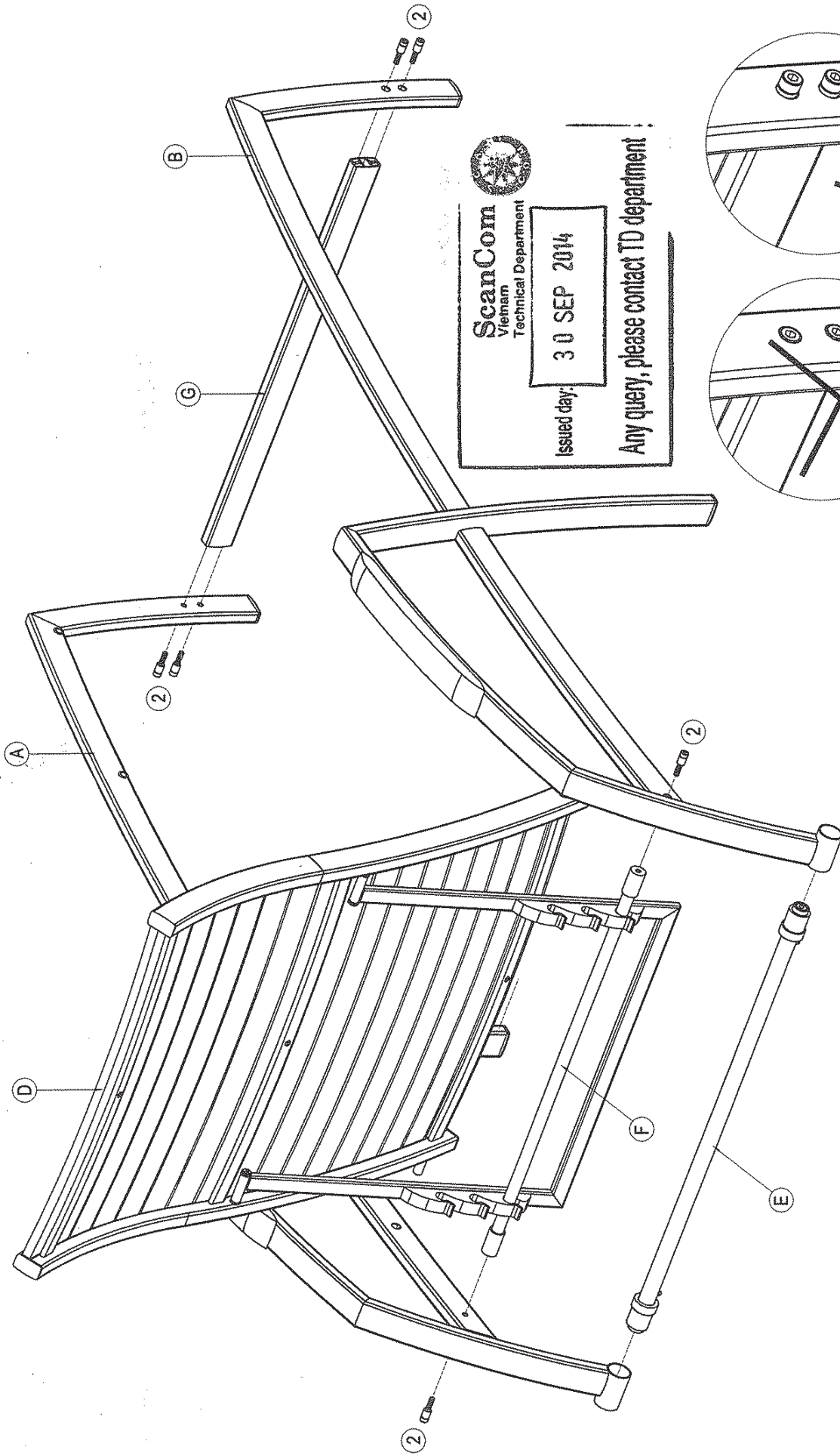
① HW-ST-02-023 (6 x 30)	② HW-ST-02-139 (6 x 30)	③ C-A-DW-SF-0060 (6.2x10x11)	④ HW-ST-02-060 (8 x 65)	⑤ HW-PL-10-127	⑥ HW-PL-08-143 (Ø62 x 25)	⑦ HW-PL-10-126 (Ø57 x 21)	⑧ HW-ST-18-001 (4 x 98)	⑨ HW-PL-19-013 (Ø17.9 x 4.7)	⑩ HW-ST-18-002 (5 x 58)
-------------------------------	-------------------------------	------------------------------------	-------------------------------	-------------------	---------------------------------	---------------------------------	-------------------------------	------------------------------------	-------------------------------

<p><b>(A)</b> x1 SU-DW-LF-0232</p>	<p><b>(B)</b> x1 SU-DW-LF-0231</p>	<p><b>(C)</b> x1 SU-DW-ST-0013</p>
<p><b>(D)</b> x1 SU-DW-AS-0128</p>	<p><b>(E)</b> x1 SU-DW-AS-0015</p>	<p><b>(F)</b> x1 SU-DW-AS-0016</p>

ScanCom  
Vietnam  
Technical Department

issued day: 30 SEP 2014

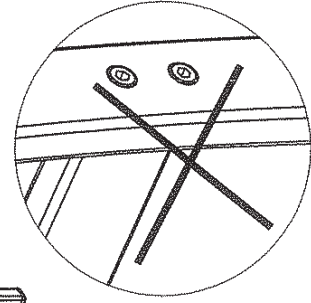
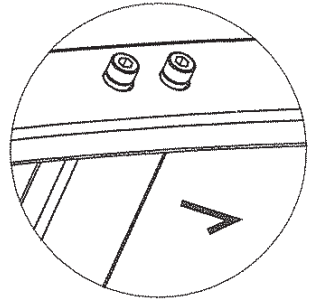
Any query, please contact TD department

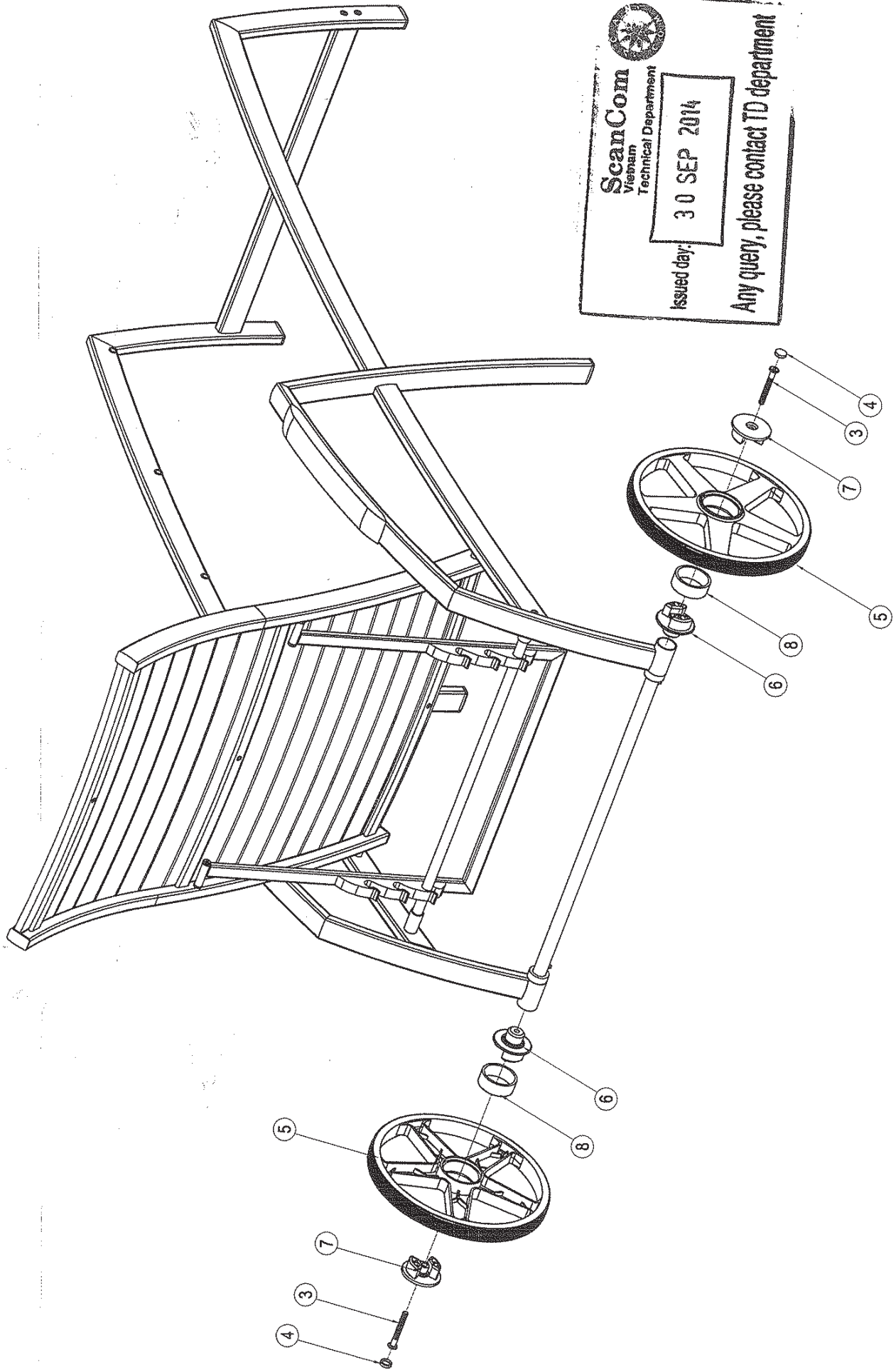


**ScanCom**  
Vietnam  
Technical Department

Issued day: 30 SEP 2014

Any query, please contact TD department :

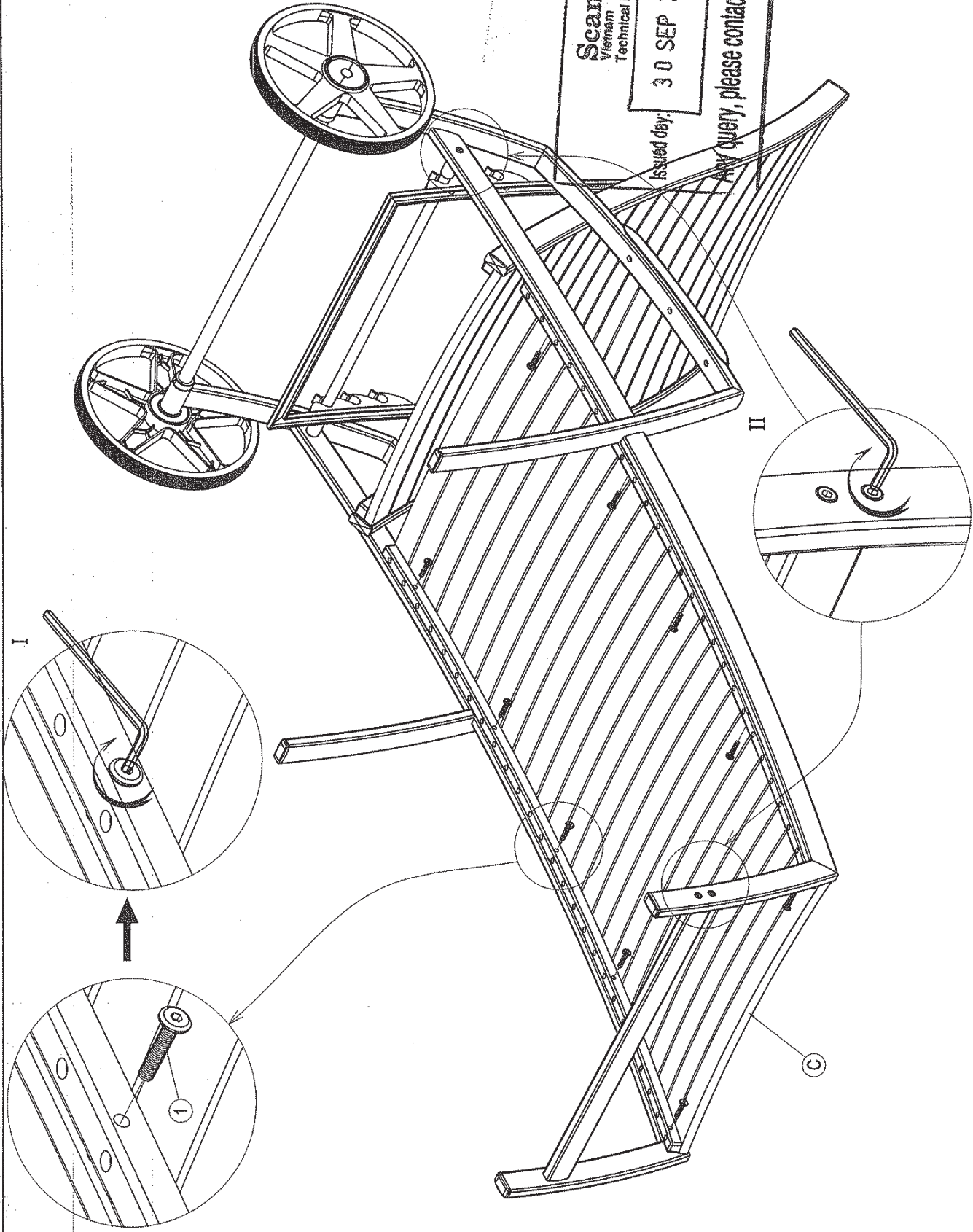




  
**ScanCom**  
 Vietnam  
 Technical Department

Issued day: 30 SEP 2014

Any query, please contact TD department



ScanCom  
 Vietnam  
 Technical Department

Issued day: 30 SEP 2014

Any query, please contact TD department